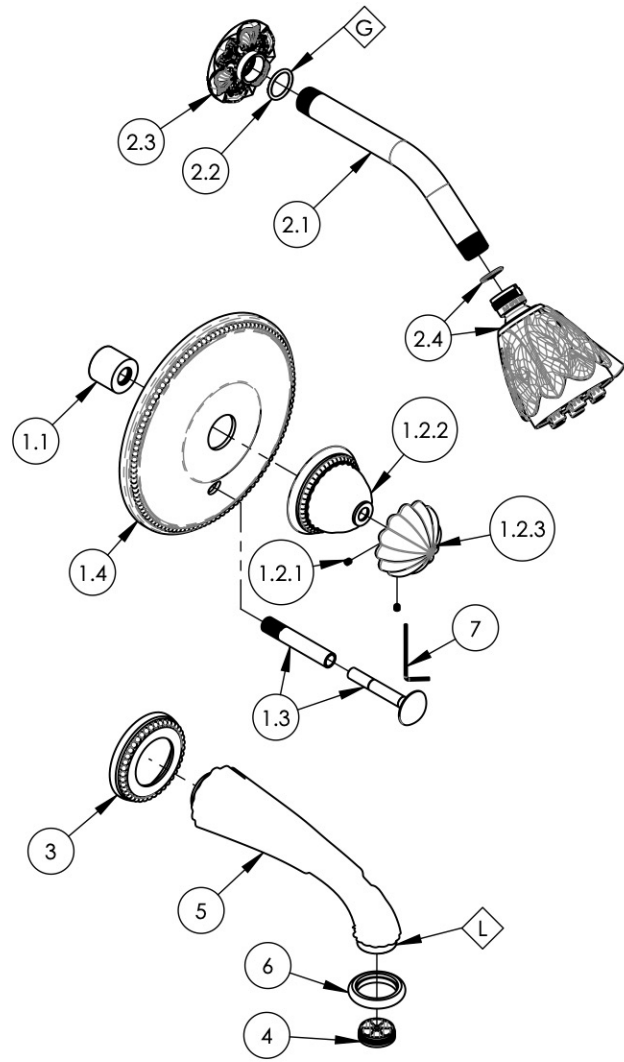


- NOTE(S):
1. APPLY NSF COMPLIANT GREASE TO ANY O-RING, SEALING JOINTS, AND/OR PIVOTAL POINTS. G
 2. APPLY NSF COMPLIANT LOCTITE TO THREADED AREA. L



ITEM NO.	PART NUMBER	DESCRIPTION	QTY.
1	4-045/00	PB PLATE W/ DIV., ROUND HANDLE, GEORGIAN & BARCELONA	1
1.1	11087	SLEEVE FOR PB-THERM PLATE	1
1.2	3-226/00	ROUND HANDLE, GEORGIAN & BARCELONA	1
1.2.1	92008	SET SCREW, CUP POINT 8-32, 3/16" L.	2
1.2.2	P02013/00	K141 COVER PLATE	1
1.2.3	P01015/00	K110 HANDLE	1
1.3	3-125/00	EXTENSION ASSY FOR PB TUB & SHOWER SET	1
1.4	11392/00	PLATE, BEADED FOR PRESSURE BALANCE W/ DIVERTER	1
2	K807/00	SHOWER HEAD, EMPIRE	1
2.1	P16008/00	SHOWER ARM (8 INCH)	1
2.2	90117	O-RING, 7/8"ID X 33/32"THK., AS-568-117	1
2.3	P16003/00	K804 FLANGE	1
2.4	3-579/00	ASSY, SHOWER JET, OVERLAY, EMPIRE	1
3	P03013/00	ESCUTCHEON, BEADED LAV. K 360 SPOUT BASE (P03004)	1
4	P05003	AERATOR, M28 x 1.0	1
5	P26012/00	K1141 WALL SPOUT	1
6	P27014/00	AERATOR RING	1
7	P39001	HEX KEY 5/64, FOR 8-32 SET SCREW	1

ZONE	REV.	DESCRIPTION	DATE	APPROVED
REVISIONS				

1261 LOGAN AVENUE
COSTA MESA, CALIFORNIA 92626
PHONE: 714.361.4800
FAX: 714.617.3120

PHYLIRICH[®]
Defining Luxury Since 1959

PROPRIETARY AND CONFIDENTIAL
THE INFORMATION CONTAINED IN THIS DRAWING IS THE SOLE PROPERTY OF PHYLIRICH. ANY REPRODUCTION IN PART OR AS A WHOLE WITHOUT THE WRITTEN PERMISSION OF PHYLIRICH IS PROHIBITED.

-	-	INTERPRET GEOMETRIC DIMENSIONING & TOLERANCING IN ACCORDANCE WITH ASME Y14.5-2009 & ASME Y14.41-2003 STANDARDS, UNLESS OTHERWISE SPECIFIED. DIMENSIONS ARE IN INCHES. TOLERANCES ARE:		
NEXT ASSY	USED ON	FRACTIONS ±1/16"	DECIMALS X.X: ±.1 X.XX: ±.01 X.XXX: ±.005	ANGULAR ±2°
APPLICATION		MATERIAL	NAME	DATE
FINISH		DRAWN	AMM	7/13/2020
DO NOT SCALE DRAWING		CHECKED	AMM	7/13/2020

PB TUB & SHOWER SET, ROUND HANDLE, GEORGIAN & BARCELONA

SIZE **A** ASM/PRT NO. **PB2361/00** REV -

SCALE: 1:5.75 WEIGHT: lbs. SHEET 1 OF 2