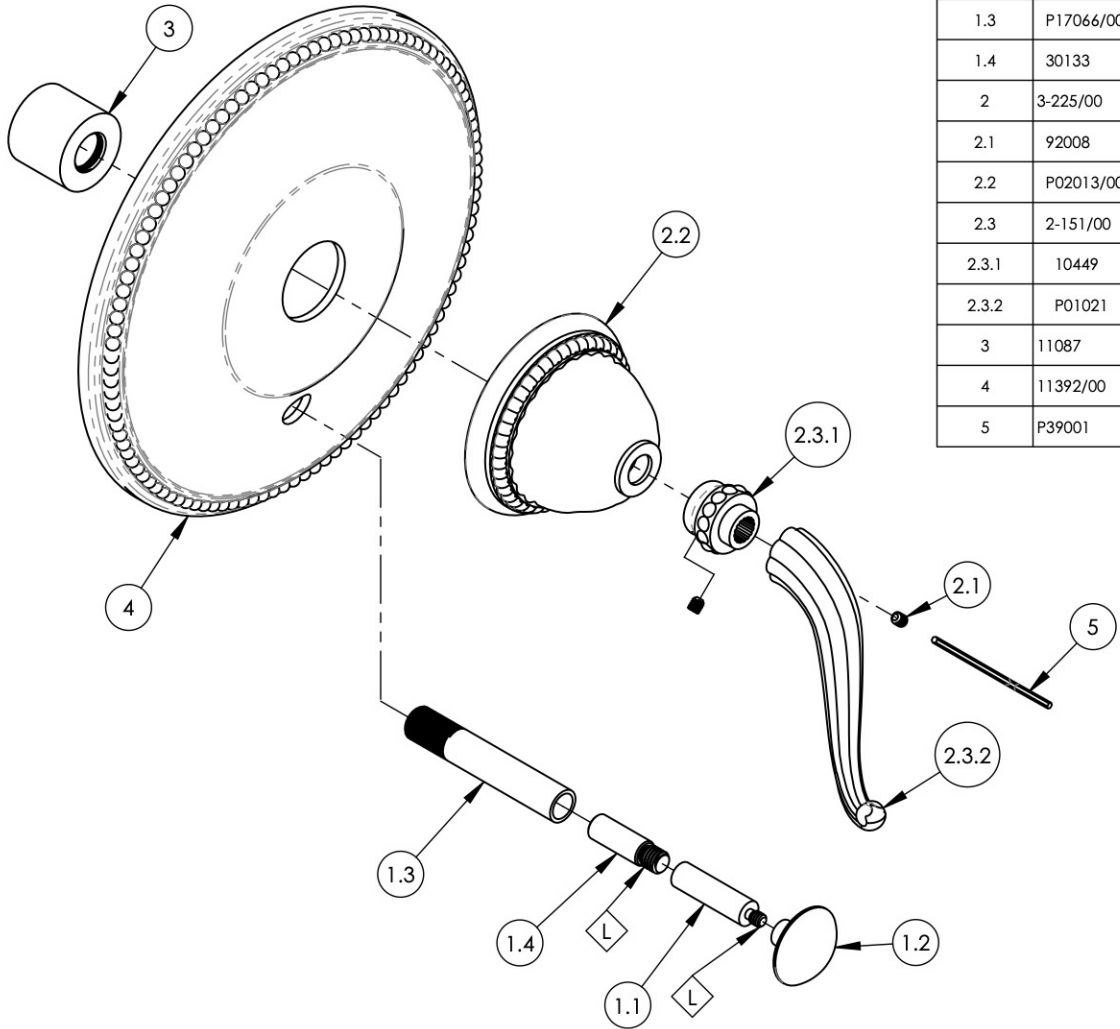


NOTE(S):
 1. APPLY NSF COMPLIANT LOCTITE TO THREADED AREA. L



ITEM NO.	PART NUMBER	DESCRIPTION	QTY.
1	3-125/00	EXTENSION ASSY FOR PB TUB & SHOWER SET	1
1.1	11008/00	DIVERTED STEM FOR PB PLATE	1
1.2	11006/00	PULL KNOB, DIVERTER, 10-24	1
1.3	P17066/00	EXTENSION SLEEVE, STEM, PB TUB & SHOWER SET	1
1.4	30133	EXTENSION, THEAD NUT ADAPTOR	1
2	3-225/00	LEVER HANDLE, GEORGIAN & BARCELONA	1
2.1	92008	SET SCREW, CUP POINT 8-32, 3/16" L.	2
2.2	P02013/00	K141 COVER PLATE	1
2.3	2-151/00	SUB ASSY. HANDLE, K141	1
2.3.1	10449	BASE, P01021/P01022 HANDLE	1
2.3.2	P01021	TOP, P01021 HANDLE	1
3	11087	SLEEVE FOR PB-THERM PLATE	1
4	11392/00	PLATE, BEADED FOR PRESSURE BALANCE W/ DIVERTER	1
5	P39001	HEX KEY 5/64, FOR 8-32 SET SCREW	1

ZONE	REV.	DESCRIPTION	DATE	APPROVED
REVISIONS				

1261 LOGAN AVENUE
 COSTA MESA, CALIFORNIA 92626
 PHONE: 714.361.4800
 FAX: 714.617.3120

PHYLIRICH[®]
 Defining Luxury Since 1959

PROPRIETARY AND CONFIDENTIAL
 THE INFORMATION CONTAINED IN THIS DRAWING IS THE SOLE PROPERTY OF PHYLIRICH. ANY REPRODUCTION IN PART OR AS A WHOLE WITHOUT THE WRITTEN PERMISSION OF PHYLIRICH IS PROHIBITED.

-		INTERPRET GEOMETRIC DIMENSIONING & TOLERANCING IN ACCORDANCE WITH ASME Y14.5-2009 & ASME Y14.41-2003 STANDARDS. UNLESS OTHERWISE SPECIFIED, DIMENSIONS ARE IN INCHES. TOLERANCES ARE:		
NEXT ASSY	USED ON	FRACTIONS ±1/16"	DECIMALS X.X: ±.1 X.XX: ±.01 X.XXX: ±.005	ANGULAR ±2°
APPLICATION				
MATERIAL				
FINISH	DRAWN	NAME	DATE	
	AMM	AMM	7/13/2020	
	CHECKED	AMM	7/13/2020	
DO NOT SCALE DRAWING				

PB TUB & SHOWER SET, PLATE & HANDLE TRIM ONLY, LEVER HANDLE, GEORGIAN & BARCELONA

SIZE	ASM/PRT NO.	REV
A	PB2141TO/00	
SCALE: 1:2.5	WEIGHT: lbs.	SHEET 1 OF 2