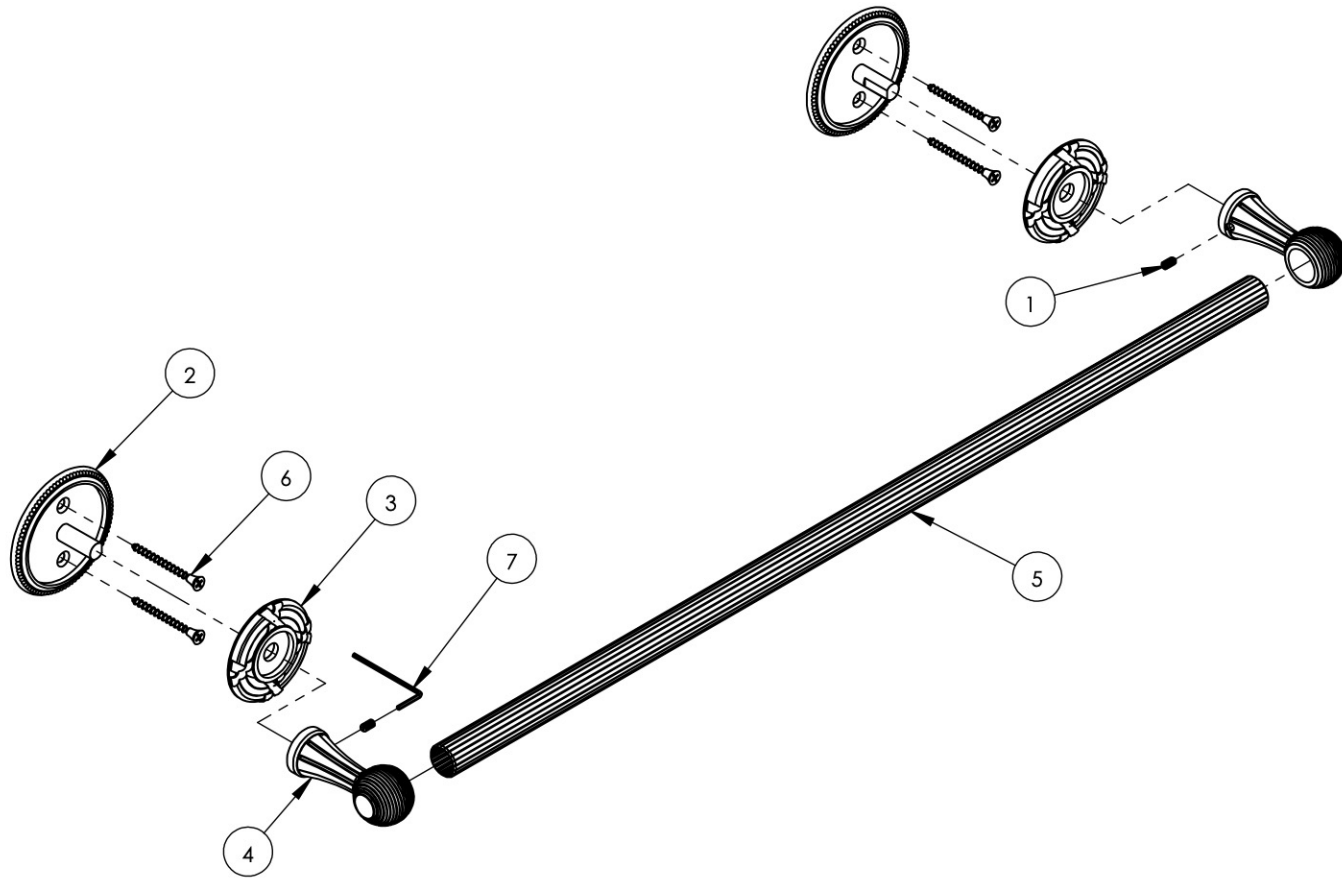


ITEM NO.	PART NUMBER	DESCRIPTION	QTY.
1	92010	SET SCREW, CUP POINT 8-32UNC 5/16" LENGTH SS	2
2	P23039	KCW BACK PLATE	2
3	P23040/00	KR WALL INSERTS	2
4	P23047	KCW50/65 POST	2
5	P23080/00	24 INCH KPG TOWEL BAR	1
6	P36005	#6 DRY WALL SCREW	4
7	P39001	5/64 HEX KEY, FOR 8/32 SET SCREW	1



A

B

C

D

E

ZONE	REV.	DESCRIPTION	DATE	APPROVED
REVISIONS				

1261 LOGAN AVENUE
COSTA MESA, CALIFORNIA 92626
PHONE: 714.361.4800
FAX: 714.617.3120



MANUFACTURING

PROPRIETARY AND CONFIDENTIAL

THE INFORMATION CONTAINED IN THIS DRAWING IS THE SOLE PROPERTY OF RSS MANUFACTURING. ANY REPRODUCTION IN PART OR AS A WHOLE WITHOUT THE WRITTEN PERMISSION OF RSS MANUFACTURING IS PROHIBITED.

-	-	INTERPRET GEOMETRIC DIMENSIONING & TOLERANCING IN ACCORDANCE WITH ASME Y14.5-2009 & ASME Y14.41-2003 STANDARDS, UNLESS OTHERWISE SPECIFIED. DIMENSIONS ARE IN INCHES. TOLERANCES ARE:		
NEXT ASSY	USED ON	FRACTIONS ±1/64"	DECIMALS X.X: ±.1 X.XX: ±.01 X.XXX: ±.005	ANGULAR ±.5°
APPLICATION		MATERIAL	NAME	DATE
FINISH		DRAWN	LLO	8/21/2013
DO NOT SCALE DRAWING		CHECKED	GRE	

24" TOWEL BAR, RIBBON & REED (137-71/00)

SIZE	ASM/PRT NO.	REV
A	KR70/00	-

SCALE: 1:4 WEIGHT: lbs. SHEET 1 OF 2

5

4

3

2

1