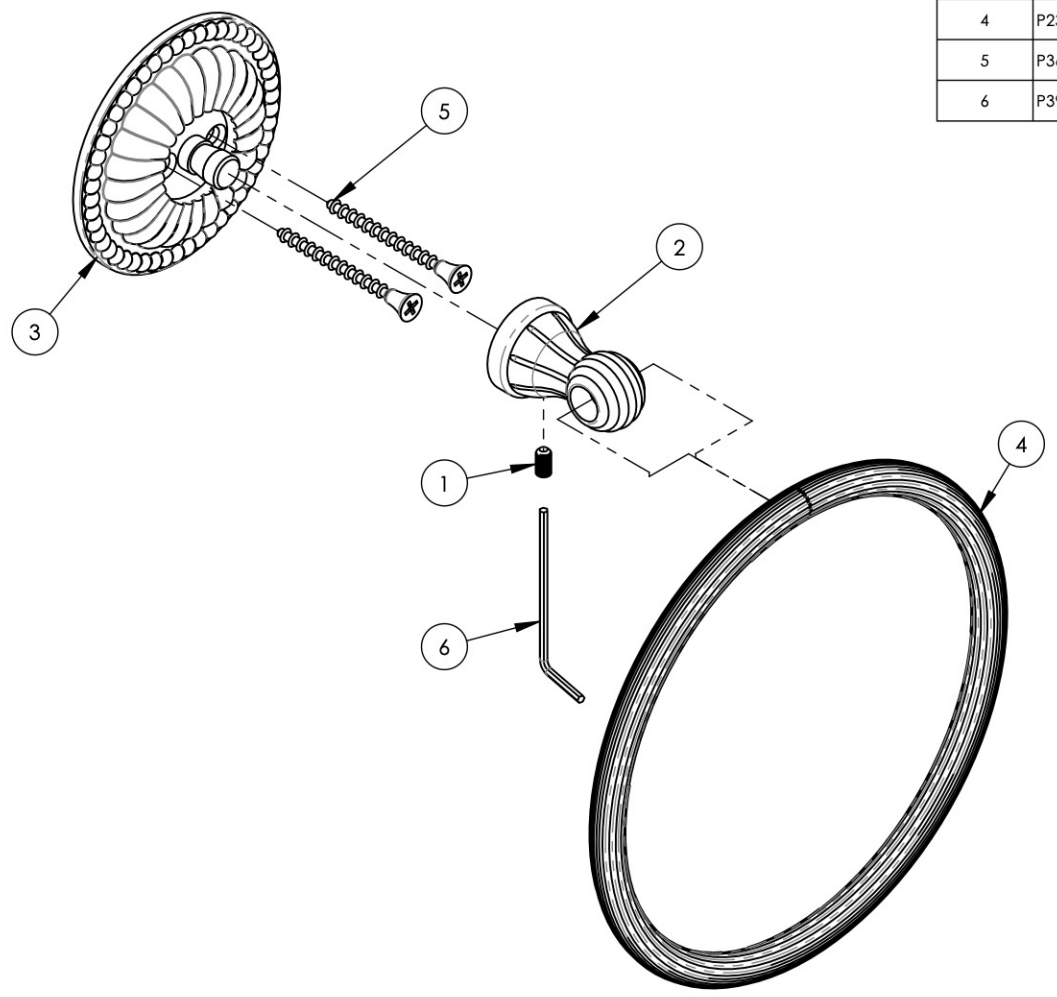


5 4 3 2 1

ITEM NO.	PART NUMBER	DESCRIPTION	QTY.
1	92010	SET SCREW, CUP POINT 8-32UNC 5/16" LENGTH SS	1
2	P23044/00	POST KCW40	1
3	P23055/00	KPG BACKPLATE	1
4	P23087/00	6 INCH RIBBED TOWEL RING	1
5	P36005	#6 DRY WALL SCREW	2
6	P39001	HEX KEY 5/64, FOR 8-32 SET SCREW	1



E
D
C
B
A

E
D
C
B
A

ALL	REV.	DESCRIPTION	DATE	APPROVED
ALL	A	UPDATE TEMPLATE	7/14/2020	AMM

1261 LOGAN AVENUE
COSTA MESA, CALIFORNIA 92626
PHONE: 714.361.4800
FAX: 714.617.3120

PHYLIRICH[®]
Defining Luxury Since 1959

PROPRIETARY AND CONFIDENTIAL
THE INFORMATION CONTAINED IN THIS DRAWING IS THE SOLE PROPERTY OF PHYLIRICH. ANY REPRODUCTION IN PART OR AS A WHOLE WITHOUT THE WRITTEN PERMISSION OF PHYLIRICH IS PROHIBITED.

-	-	INTERPRET GEOMETRIC DIMENSIONING & TOLERANCING IN ACCORDANCE WITH ASME Y14.5-2009 & ASME Y14.41-2003 STANDARDS, UNLESS OTHERWISE SPECIFIED. DIMENSIONS ARE IN INCHES. TOLERANCES ARE:
-	-	
-	-	
NEXT ASSY	USED ON	FRACTIONS ±1/16"
APPLICATION		DECIMALS X.X: ±.1 X.XX: ±.01 X.XXX: ±.005
MATERIAL		ANGULAR ±2°
FINISH	DRAWN	NAME DATE
		LLO 8/1/2013
DO NOT SCALE DRAWING		CHECKED GRE

TOWEL RING, GEORGIAN & BARCELONA (360-75/00)

SIZE	ASM/PRT NO.	REV
A	KPG40/00	A
SCALE: 1:2	WEIGHT: lbs.	SHEET 1 OF 2

5 4 3 2 1

A

A