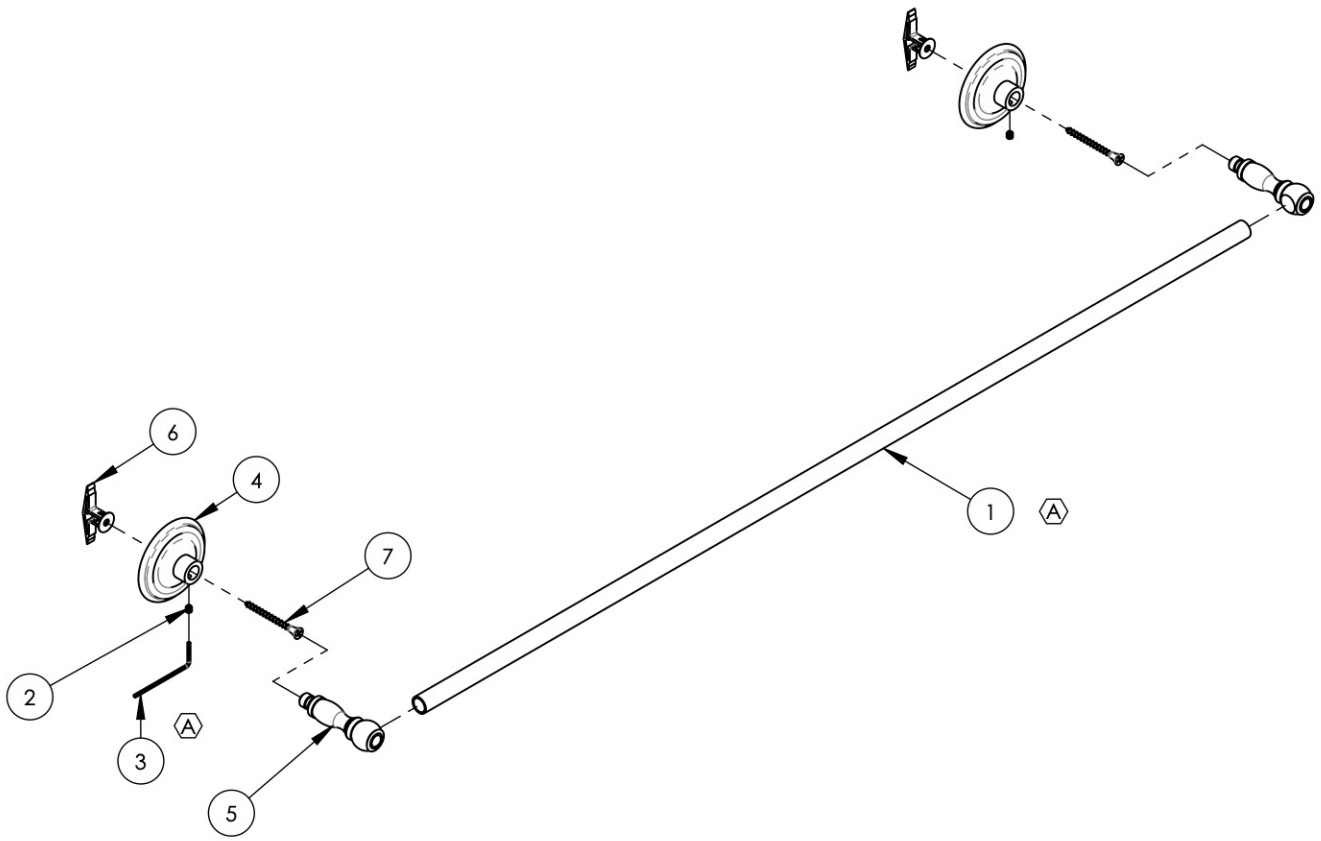


NOTE(S):

- 1. PART NUMBER, "/00" DENOTES PART SHALL HAVE FINISH.
- 2. APPLY NSF COMPLIANT GREASE TO ANY O-RING, SEALING JOINTS, AND/OR PIVOTAL POINTS. G
- 3. APPLY NSF COMPLIANT LOCTITE TO THREADED AREA. L
- 4. APPLY NSF COMPLIANT REMOVABLE (BLUE) LOCTITE TO THREADED AREA. B
- 5. SILVER SOLDER JOINTS SHALL BE FULLY WETTED VIA CAPILLARY ACTION AND COMPLETELY NON-POROUS. S

ITEM NO.	PART NUMBER	DESCRIPTION	QTY.
1	10647/00	TOWEL BAR, 30"L X .049" WALL THK.	1
2	92008	SET SCREW, CUP POINT 8-32, 3/16" L.	2
3	92021	HEX KEY 5/64, FOR 8-32 SET SCREW	1
4	P23003/00	KG BACKPLATE	2
5	P23063/00	KG65 TOWEL BAR POST	2
6	P23085	TOGGLER FOR WALL	2
7	P36005	#6 DRY WALL SCREW	2



ALL	A	TEMPLATE, HEX KEY & DWG NAME UPDATED, BAR REPLACED	6/22/2020	AMM
ZONE	REV.	DESCRIPTION	DATE	APPROVED
REVISIONS				

1261 LOGAN AVENUE
COSTA MESA, CALIFORNIA 92626
PHONE: 714.361.4800
FAX: 714.617.3120

PHYLIRICH[®]
Defining Luxury Since 1959

PROPRIETARY AND CONFIDENTIAL
THE INFORMATION CONTAINED IN THIS DRAWING IS THE SOLE PROPERTY OF PHYLIRICH. ANY REPRODUCTION IN PART OR AS A WHOLE WITHOUT THE WRITTEN PERMISSION OF PHYLIRICH IS PROHIBITED.
DO NOT SCALE DRAWING

30" TOWEL BAR, SMALL POST, REVERE & SAVANNAH

SIZE A	ASM/PRT NO. KG75/00	REV A
SCALE: 1:5	WEIGHT: lbs.	SHEET 1 OF 2