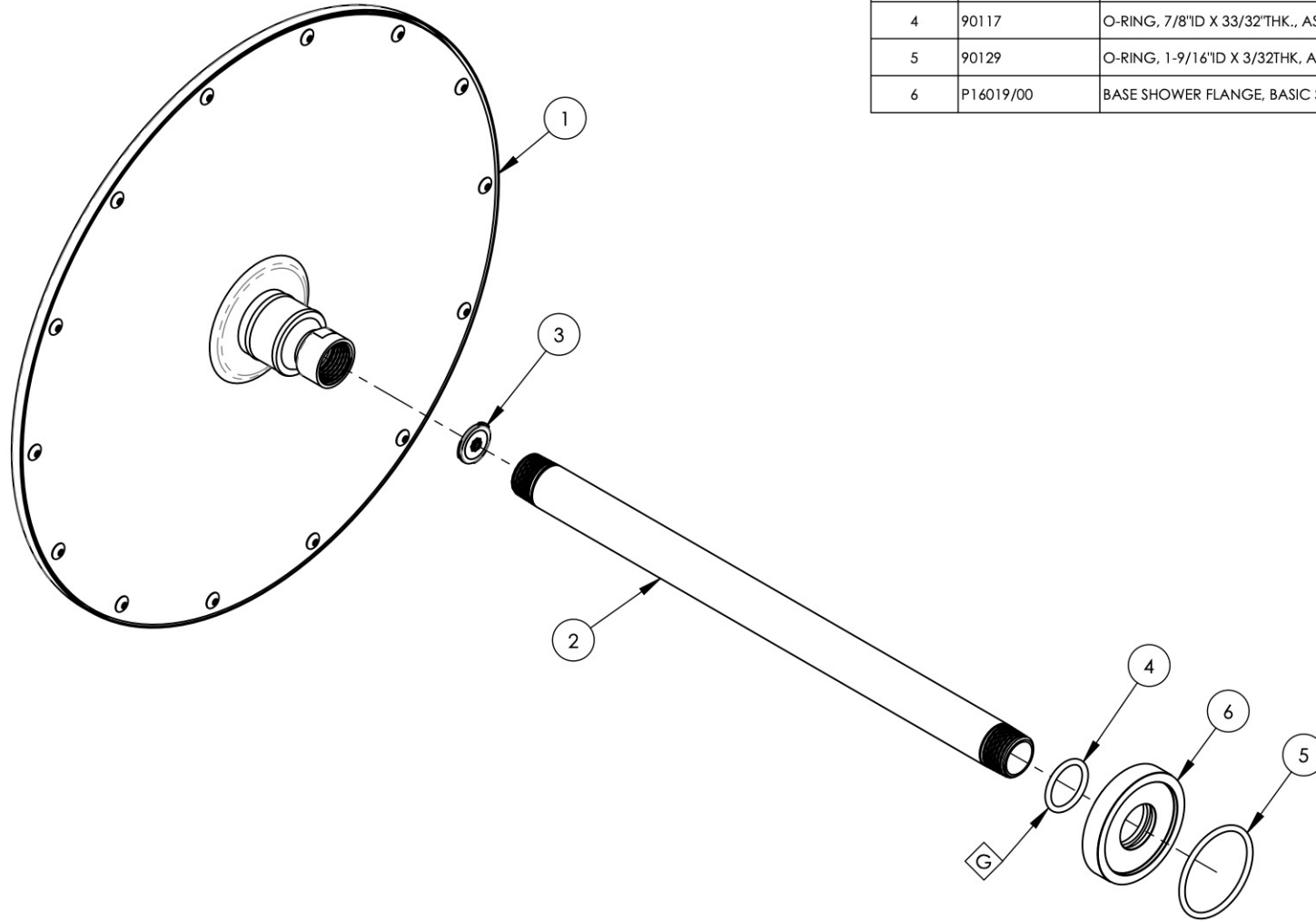


NOTE(S):
 1. PART NUMBER, "/00" DENOTES PART SHALL HAVE FINISH.
 2. APPLY NSF COMPLIANT GREASE TO ANY O-RING, SEALING JOINTS, AND/OR PIVOTAL POINTS.



ITEM NO.	PART NUMBER	DESCRIPTION	QTY.
1	3-338/00	SHOWERHEAD, RAIN ROUND 12"	1
2	11207/00	12" SHOWER ARM, BASIC II SERIES	1
3	11432	1.75 GPM FLOW REGULATOR	1
4	90117	O-RING, 7/8"ID X 33/32"THK., AS-568-117	1
5	90129	O-RING, 1-9/16"ID X 3/32THK., AS-568-129	1
6	P16019/00	BASE SHOWER FLANGE, BASIC SERIES	1



ZONE	REV.	DESCRIPTION	DATE	APPROVED
REVISIONS				

1261 LOGAN AVENUE
 COSTA MESA, CALIFORNIA 92626
 PHONE: 714.361.4800
 FAX: 714.617.3120

PHYL RICH[®]
 Defining Luxury Since 1959

PROPRIETARY AND CONFIDENTIAL
 THE INFORMATION CONTAINED IN THIS DRAWING IS THE SOLE PROPERTY OF PHYL RICH. ANY REPRODUCTION IN PART OR AS A WHOLE WITHOUT THE WRITTEN PERMISSION OF PHYL RICH IS PROHIBITED.

-	-	INTERPRET GEOMETRIC DIMENSIONING & TOLERANCING IN ACCORDANCE WITH ASME Y14.5-2009 & ASME Y14.41-2003 STANDARDS, UNLESS OTHERWISE SPECIFIED. DIMENSIONS ARE IN INCHES. TOLERANCES ARE:		
NEXT ASSY	USED ON	FRACTIONS ±1/16"	DECIMALS X.X: ±.1 X.XX: ±.01 X.XXX: ±.005	ANGULAR ±2°
APPLICATION		MATERIAL	NAME	DATE
FINISH		DRAWN	AMM	10/28/2020
DO NOT SCALE DRAWING		CHECKED		

CEILING MOUNT SHOWER HEAD, 12" ROUND

SIZE	ASM/PRT NO.	REV
A	K832/00	

SCALE: 1:3 WEIGHT: lbs. SHEET 1 OF 2