

Hand Held Shower Wall Bracket w/ 1/2" Outlet

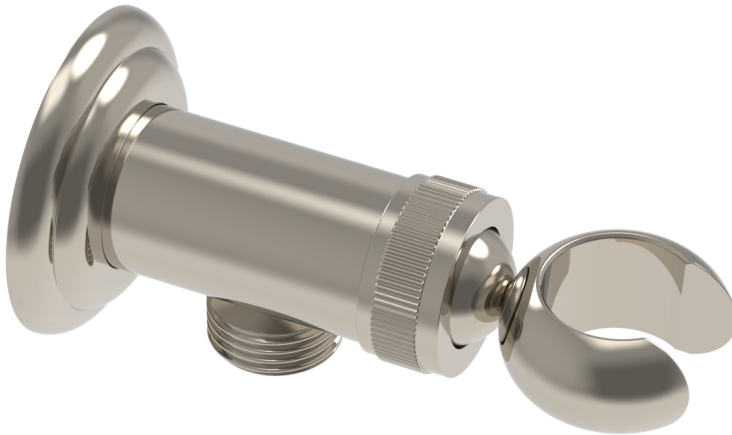
K6002

PRODUCT FEATURES

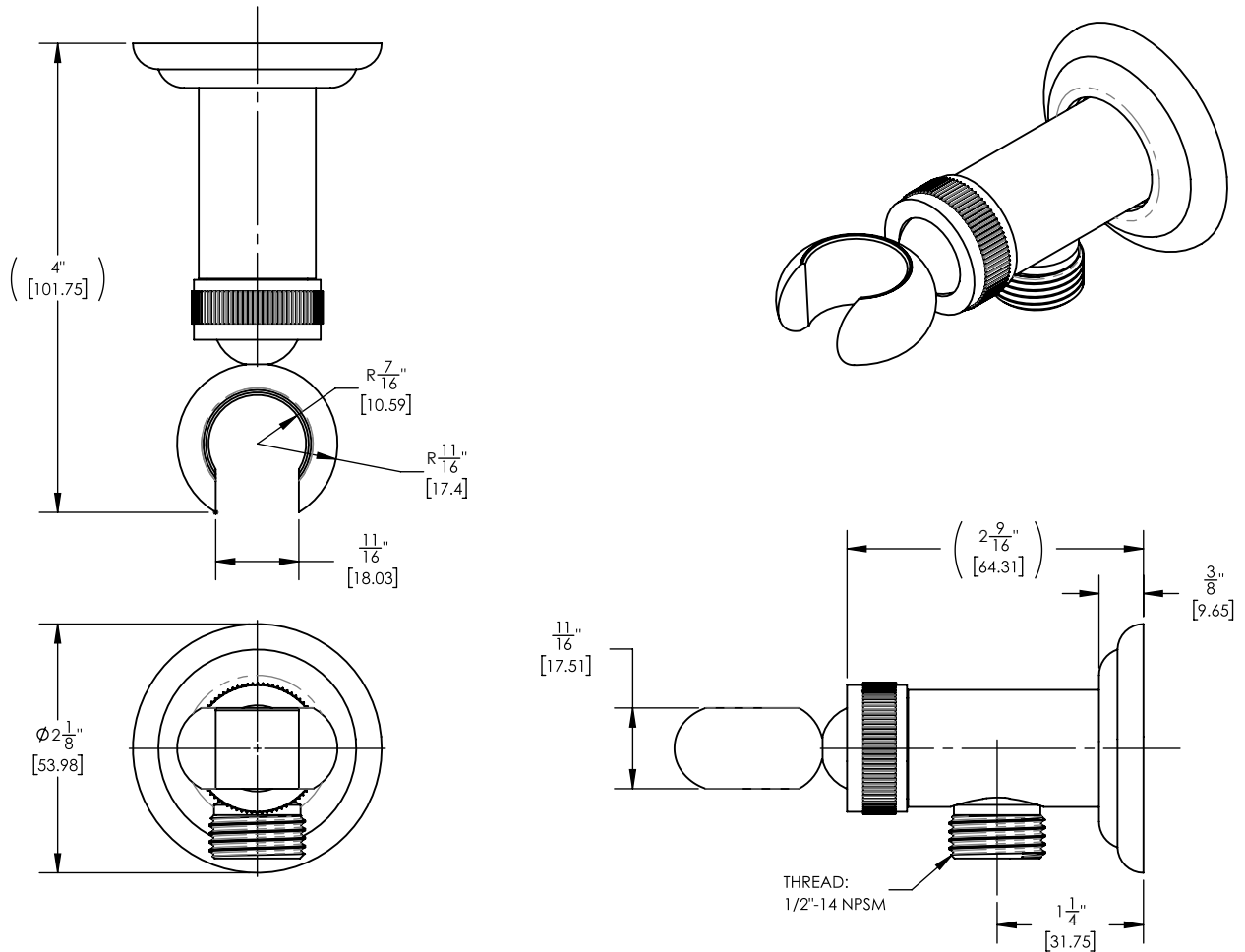
- .
- .
- .
- .
- .
- .
- .

TECHNICAL DETAILS

Installation Type: Wall Mounted
Primary Material: Brass



PRODUCT DIMENSIONS



www.phylrich.com

1261 Logan Avenue, Costa Mesa, California 92626.
Phone: 714.361.4800 Fax: 714.617.3120

CODES & STANDARDS

ASME A112.181/ CSA B1251, ASME 112.18.2/ CSA B125.2, ANSI NSF, CEC

WARRANTY

Mechanical Warranty: 10 Years from date of purchase.
Finish Warranty: See catalog for further information.

Rev-