

NOTE(S):
 1. PART NUMBER, "/00" DENOTES PART SHALL HAVE FINISH.

2. APPLY NSF COMPLIANT GREASE TO ANY O-RING, SEALING JOINTS, AND/OR PIVOTAL POINTS.

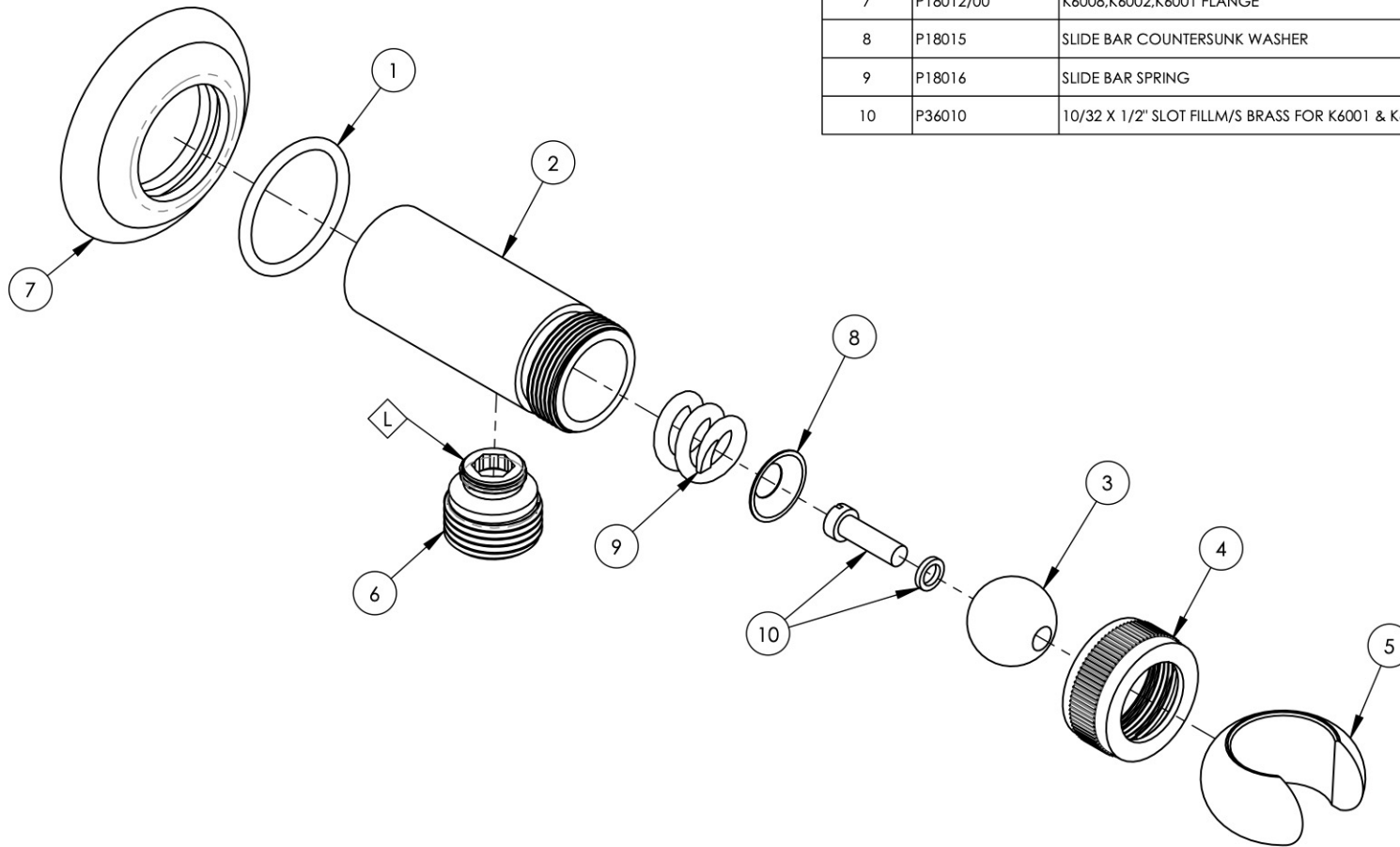
3. APPLY NSF COMPLIANT LOCTITE TO THREADED AREA.

4. APPLY NSF COMPLIANT REMOVABLE (BLUE) LOCTITE TO THREADED AREA.

5. SILVER SOLDER JOINTS SHALL BE FULLY WETTED VIA CAPILLARY ACTION AND COMPLETELY NON-POROUS.



ITEM NO.	PART NUMBER	DESCRIPTION	QTY.
1	90121	O-RING, 1-1/16"ID X 3/32"THK, AS-568-121	1
2	P18006/00	K6002 BODY ONLY	1
3	P18007	K6001, K6002 BALL JOINT	1
4	P18008/00	COLLAR NUT, K6001 K6002	1
5	P18009	K6001, K6002, HOOK ONLY	1
6	P18011/00	CONNECTOR OUTLET 1/2", HOUSING OV10	1
7	P18012/00	K6008,K6002,K6001 FLANGE	1
8	P18015	SLIDE BAR COUNTERSUNK WASHER	1
9	P18016	SLIDE BAR SPRING	1
10	P36010	10/32 X 1/2" SLOT FILLM/S BRASS FOR K6001 & K6002	1



ZONE	REV.	DESCRIPTION	DATE	APPROVED
REVISIONS				

1261 LOGAN AVENUE
 COSTA MESA, CALIFORNIA 92626
 PHONE: 714.361.4800
 FAX: 714.617.3120

PHYL RICH[®]
 Defining Luxury Since 1959

PROPRIETARY AND CONFIDENTIAL
 THE INFORMATION CONTAINED IN THIS DRAWING IS THE SOLE PROPERTY OF PHYL RICH. ANY REPRODUCTION IN PART OR AS A WHOLE WITHOUT THE WRITTEN PERMISSION OF PHYL RICH IS PROHIBITED.
DO NOT SCALE DRAWING

**WALL BRACKET FOR HAND SHOWER W/
 1/2" OUTLET**

SIZE A	ASM/PRT NO. K6002/00	REV
SCALE: 1:1.5	WEIGHT: lbs.	SHEET 1 OF 2