

5

4

3

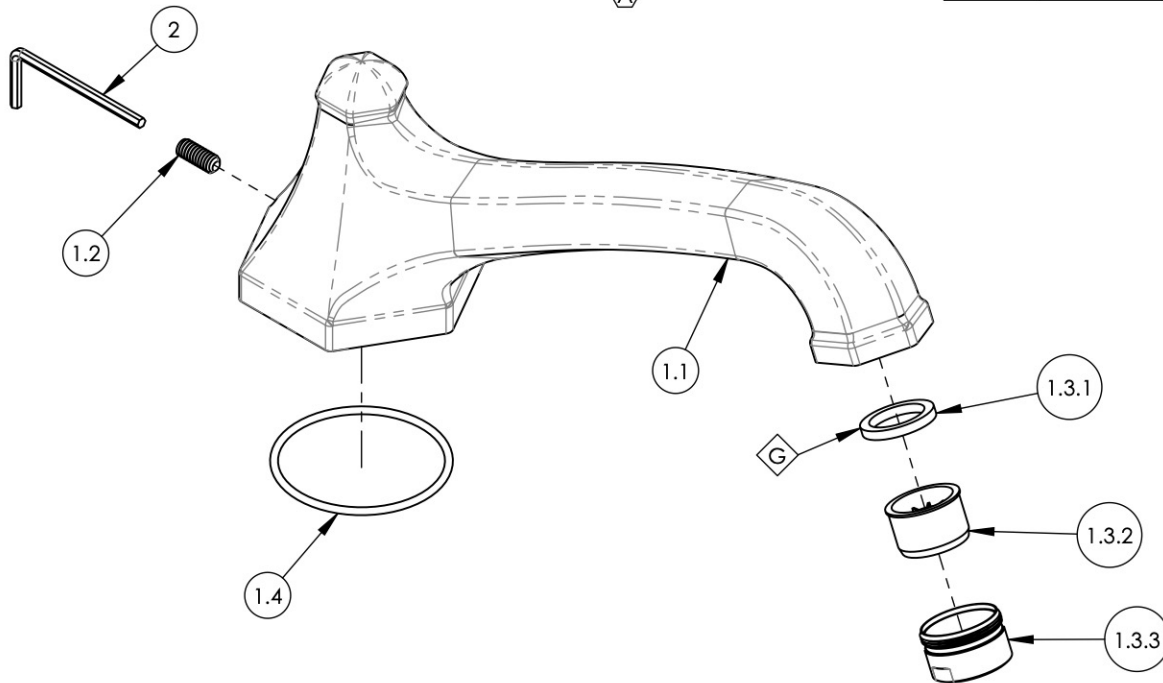
2

1

NOTE(S):  
 1. APPLY NSF COMPLIANT GREASE TO ANY O-RING, SEALING JOINTS, AND/OR PIVOTAL POINTS.



ITEM NO.	PART NUMBER	DESCRIPTION	QTY.
1	3-144/00	SPOUT, DECK TUB, 500/501 SERIES	1
1.1	P27015	SPOUT, DECK TUB, LE VERRE LA CROSSE	1
1.2	92262	SET SCREW, CUP PT 1/4"-20 X 5/8"L	1
1.3	3-610/00	AERATOR & HOUSING, M28X1, TUB FILLER, FULL FLOW	1
1.3.1	10584	RUBBER SEAL, AERATOR GASKET 1.0"OD X .753"ID X .125"THK	1
1.3.2	10582	AERATOR, NEOSTRAHL, M28, TUB FILLER, FULL FLOW	1
1.3.3	10583/00	AERATOR HOUSING, M28 41.2007.000	1
1.4	90139	O-RING, 2-3/16ID X 3/32THK., AS-568-139	1
2	92216	HEX L-KEY 1/8" HEX x 2-5/16"L	1



ALL	A	REMOVE ROUGH IN, ADD NEW SUBASSY/ HEX KEY, UPDATE DWG NAME	6/16/2020	AMM
ZONE	REV.	DESCRIPTION	DATE	APPROVED
REVISIONS				

1261 LOGAN AVENUE  
 COSTA MESA, CALIFORNIA 92626  
 PHONE: 714.361.4800  
 FAX: 714.617.3120

**PHYLIRICH**<sup>®</sup>  
 Defining Luxury Since 1959

**PROPRIETARY AND CONFIDENTIAL**  
 THE INFORMATION CONTAINED IN THIS DRAWING IS THE SOLE PROPERTY OF PHYLIRICH. ANY REPRODUCTION IN PART OR AS A WHOLE WITHOUT THE WRITTEN PERMISSION OF PHYLIRICH IS PROHIBITED.

-	-	INTERPRET GEOMETRIC DIMENSIONING & TOLERANCING IN ACCORDANCE WITH ASME Y14.5-2009 & ASME Y14.41-2003 STANDARDS, UNLESS OTHERWISE SPECIFIED. DIMENSIONS ARE IN INCHES. TOLERANCES ARE:		
NEXT ASSY	USED ON	<b>FRACTIONS</b> ±1/16"	<b>DECIMALS</b> X.X: ±.1 X.XX: ±.01 X.XXX: ±.005	<b>ANGULAR</b> ±2°
APPLICATION		MATERIAL	NAME	DATE
FINISH		DRAWN	CA	11/4/2013
<b>DO NOT SCALE DRAWING</b>		CHECKED		

DECK TUB, SPOUT ONLY,  
 LE VERRE & LA CROSSE

SIZE	ASM/PRT NO.	REV
<b>A</b>	K5170/00	<b>A</b>
SCALE: 1:2.5	WEIGHT: lbs.	SHEET 1 OF 2

5

4

3

2

1