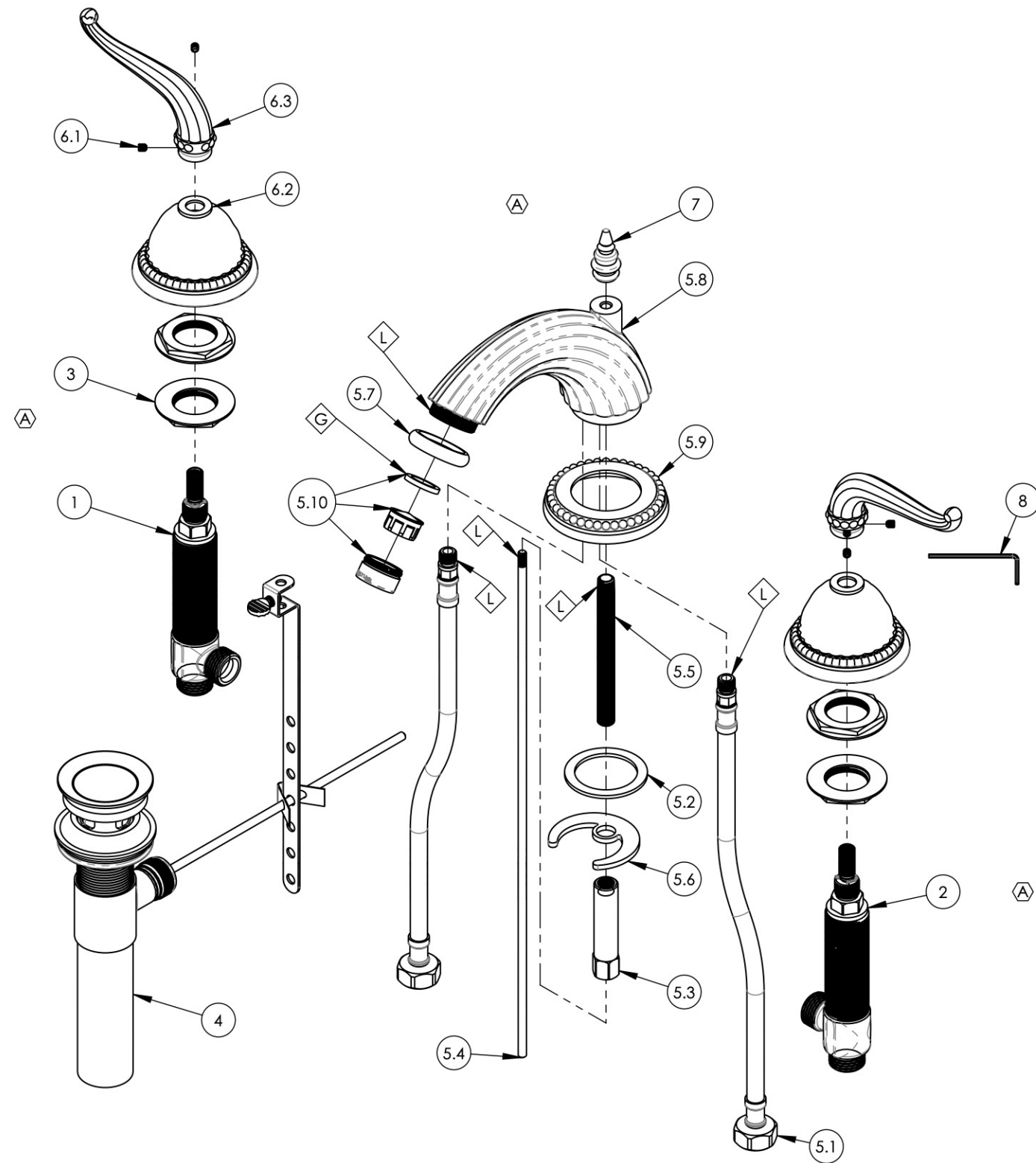


- NOTE(S):
1. APPLY NSF COMPLIANT GREASE TO ANY O-RING, SEALING JOINTS, AND/OR PIVOTAL POINTS. G
 2. APPLY NSF COMPLIANT LOCTITE TO THREADED AREA. L



ITEM NO.	PART NUMBER	DESCRIPTION	QTY.
1	1-149	WIDESPREAD VALVE LAV 16PT, HOT, ONLY	1
2	1-150	WIDESPREAD VALVE LAV 16PT, COLD, ONLY	1
3	2-203	MOUNTING NUT KIT, WIDESPREAD LAV	4
4	3-046/00	POP-UP DRAIN ASSEMBLY (2-101, 2-102, & 2-246)	1
5	3-223/00	RIBBED LOW LAV SPOUT, GEORGIAN & BARCELONA	1
5.1	10720	HOSE, M10 TO 1/2NPSM	2
5.2	P34005	GASKET FOR TEE LESS.	1
5.3	P34004	2" EXTENTION NUT F/TEE LEES SPOUT	1
5.4	10719/00	POP-UP ROD, 10-24, 14" LONG	1
5.5	10182	NIPPLE, SHANK 1/8"-27NPSM X 4"L	1
5.6	P34002	C-WASHER FOR TEE LESS SPOUT	1
5.7	P03010_2/00	AERATOR SURROUND	1
5.8	P03003_1/00	SPOUT, LOW LAV K141	1
5.9	P03013/00	ESCUTCHEON, BEADED LAV. K 360 SPOUT BASE (P03004)	1
5.10	3-059/00	AERATOR, 15/16" MALE HOUSING	1
6	3-225/00	LEVER HANDLE, GEORGIAN & BARCELONA	2
6.1	92008	SET SCREW, CUP POINT 8-32, 3/16" L.	2
6.2	P02013/00	K141 COVER PLATE	1
6.3	2-151/00	SUB ASSY. HANDLE, K141	1
7	P04020/00	K141 POPUP KNOB	1
8	P39001	HEX KEY 5/64, FOR 8-32 SET SCREW	1

ALL	A	UPDATE TEMPLATE, ADD CALL OUTS, ADD SUBASSYS, REPLACE COMPONENTS	7/10/2020	AMM	
ZONE	REV.	DESCRIPTION	DATE	APPROVED	
REVISIONS					
1261 LOGAN AVENUE COSTA MESA, CALIFORNIA 92626 PHONE: 714.361.4800 FAX: 714.617.3120		PHYLIRICH Defining Luxury Since 1959	PROPRIETARY AND CONFIDENTIAL THE INFORMATION CONTAINED IN THIS DRAWING IS THE SOLE PROPERTY OF PHYLIRICH. ANY REPRODUCTION IN PART OR AS A WHOLE WITHOUT THE WRITTEN PERMISSION OF PHYLIRICH IS PROHIBITED.		

NEXT ASSY	USED ON	FRACTIONS ±1/16"	DECIMALS X.X: ±.1 X.XX: ±.01 X.XXX: ±.005	ANGULAR ±2°
APPLICATION		MATERIAL	NAME	DATE
FINISH		DRAWN	MAF	11/5/2013
DO NOT SCALE DRAWING		CHECKED		

WIDESPREAD LOW SPOUT LAV W/ LEVER HANDLES, GEORGIAN & BARCELONA		
SIZE	ASM/PRT NO.	REV
B	K141/00	A
SCALE: 1:3.25	WEIGHT: lbs.	SHEET 1 OF 2