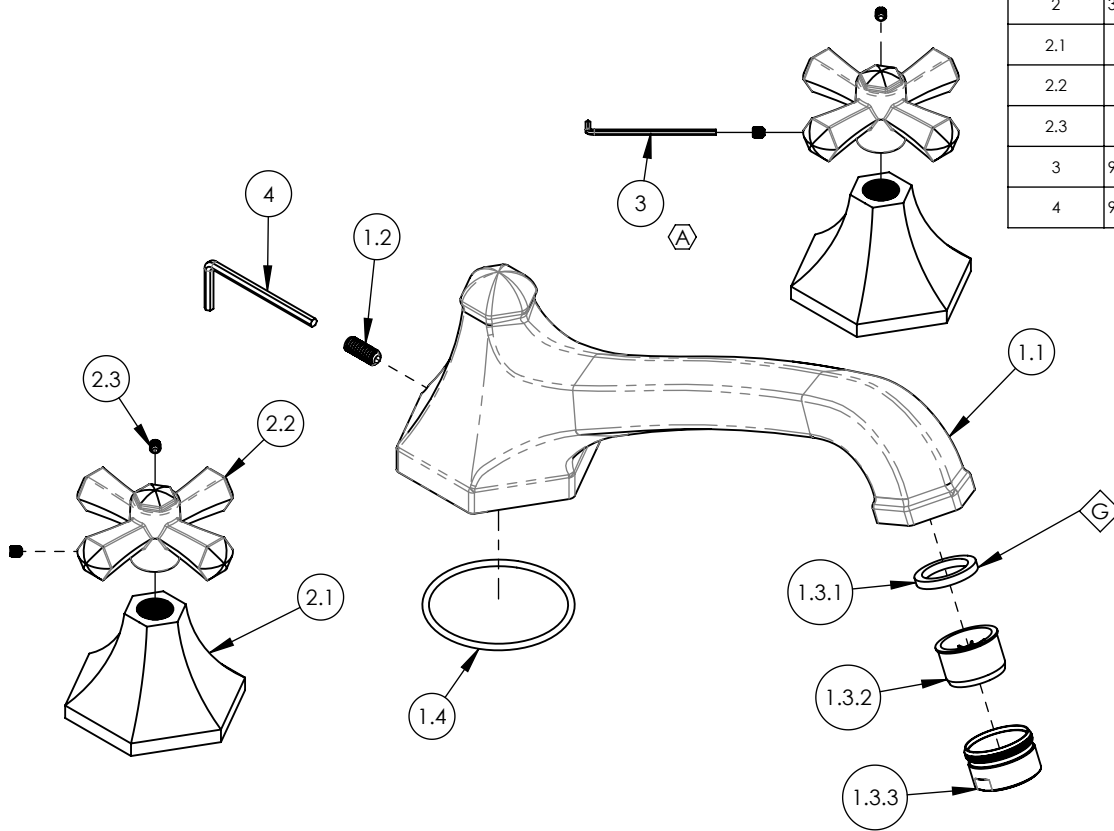


- NOTE(S):
- PART NUMBER, "/00" DENOTES PART SHALL HAVE FINISH.
  - APPLY NSF COMPLIANT GREASE TO ANY O-RING, SEALING JOINTS, AND/OR PIVOTAL POINTS.
  - APPLY NSF COMPLIANT LOCTITE TO THREADED AREA.
  - APPLY NSF COMPLIANT REMOVABLE (BLUE) LOCTITE TO THREADED AREA.
  - SILVER SOLDER JOINTS SHALL BE FULLY WETTED VIA CAPILLARY ACTION AND COMPLETELY NON-POROUS.



ITEM NO.	PART NUMBER	DESCRIPTION	QTY.
1	3-144/00	SPOUT, DECK TUB, 500/501 SERIES	1
1.1	P27015	SPOUT, DECK TUB, LE VERRE LA CROSSE	1
1.2	92262	SET SCREW, CUP PT 1/4"-20 X 5/8"L	1
1.3	3-610/00	AERATOR & HOUSING, M28X1, TUB FILLER, FULL FLOW	1
1.3.1	10584	RUBBER SEAL, AERATOR GASKET 1.0"OD X .753"ID X .125"THK	1
1.3.2	10582	AERATOR, NEOSTRAHL. M28, TUB FILLER, FULL FLOW	1
1.3.3	10583/00	AERATOR HOUSING, M28 41.2007.000	1
1.4	90139	O-RING, 2-3/16ID X 3/32THK., AS-568-139	1
2	3-240/00	CROSS HANDLE, LE VERRE & LA CROSSE SERIES	2
2.1	P02020/00	ESCUTCHEON, COVER PLATE K170&K171	1
2.2	P01025/00	HANDLE, CROSS HEX SHAPES FOR K171	1
2.3	92008	SET SCREW, CUP POINT 8-32, 3/16" L.	2
3	92021	HEX KEY 5/64, FOR 8-32 SET SCREW	1
4	92216	HEX L-KEY 1/8" HEX X 2-5/16"L	1



D4	A	UPDATE HE KEY PART #	4/29/2021	AMM
ZONE	REV.	DESCRIPTION	DATE	APPROVED
REVISIONS				

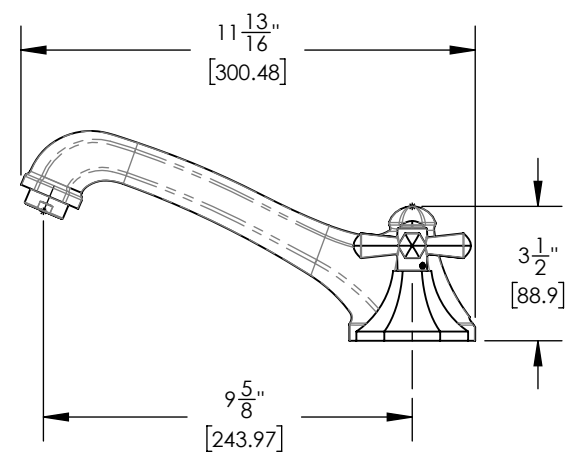
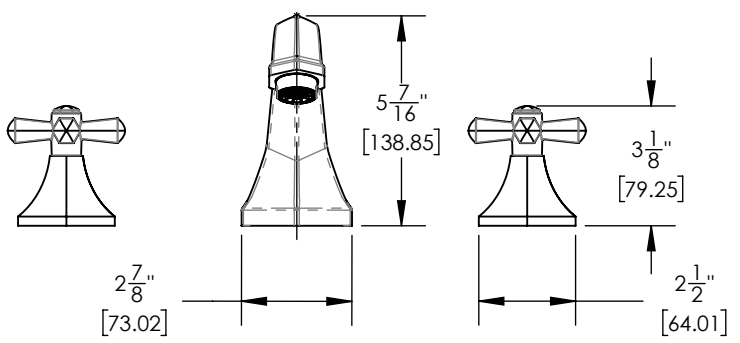
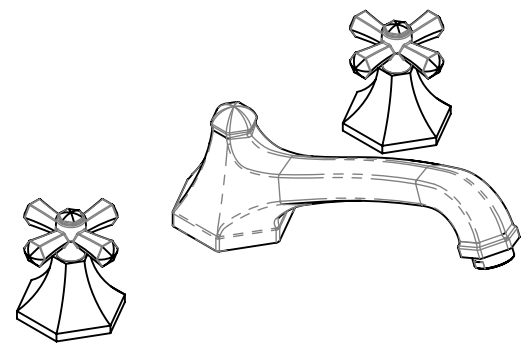
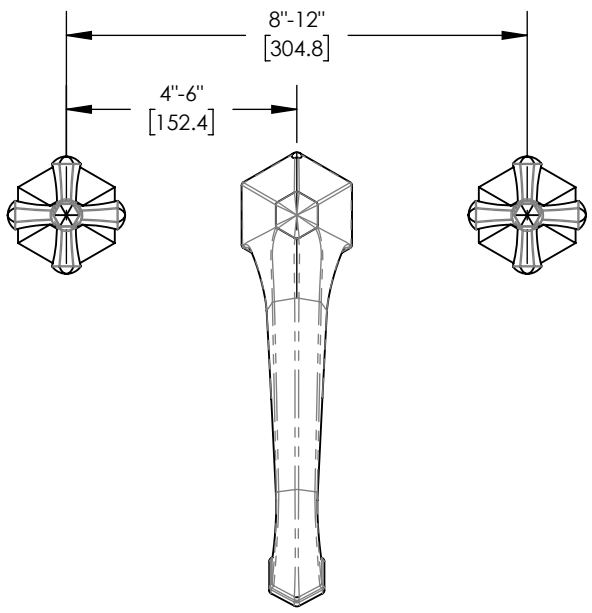
1261 LOGAN AVENUE  
COSTA MESA, CALIFORNIA 92626  
PHONE: 714.361.4800  
FAX: 714.617.3120

**PHYL RICH**<sup>®</sup>  
Defining Luxury Since 1959

**PROPRIETARY AND CONFIDENTIAL**  
THE INFORMATION CONTAINED IN THIS DRAWING IS THE SOLE PROPERTY OF PHYL RICH. ANY REPRODUCTION IN PART OR AS A WHOLE WITHOUT THE WRITTEN PERMISSION OF PHYL RICH IS PROHIBITED.  
**DO NOT SCALE DRAWING**

DECK TUB SET, CROSS HANDLES, LE VERRE & LA CROSSE

SIZE <b>A</b>	ASM/PRT NO. K1171V/00	REV A
SCALE: 1:3	WEIGHT: lbs.	SHEET 1 OF 2



1261 LOGAN AVENUE  
 COSTA MESA, CALIFORNIA 92626  
 PHONE: 714.361.4800  
 FAX: 714.617.3120

**PHYLIRICH**<sup>®</sup>  
 Defining Luxury Since 1959

**PROPRIETARY AND CONFIDENTIAL**  
 THE INFORMATION CONTAINED IN THIS DRAWING IS THE SOLE PROPERTY OF PHYLIRICH. ANY REPRODUCTION IN PART OR AS A WHOLE WITHOUT THE WRITTEN PERMISSION OF PHYLIRICH IS PROHIBITED.  
**DO NOT SCALE DRAWING**

DECK TUB SET, CROSS HANDLES, LE VERRE & LA CROSSE

SIZE <b>A</b>	ASM/PRT NO. K1171V/00	REV A
SCALE: 1:5	WEIGHT: lbs.	SHEET 2 OF 2