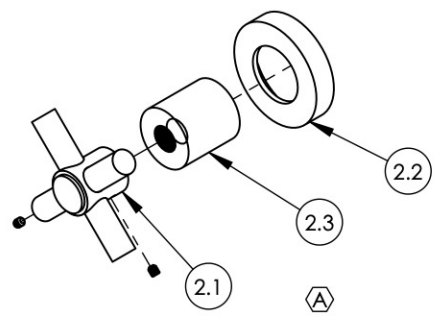
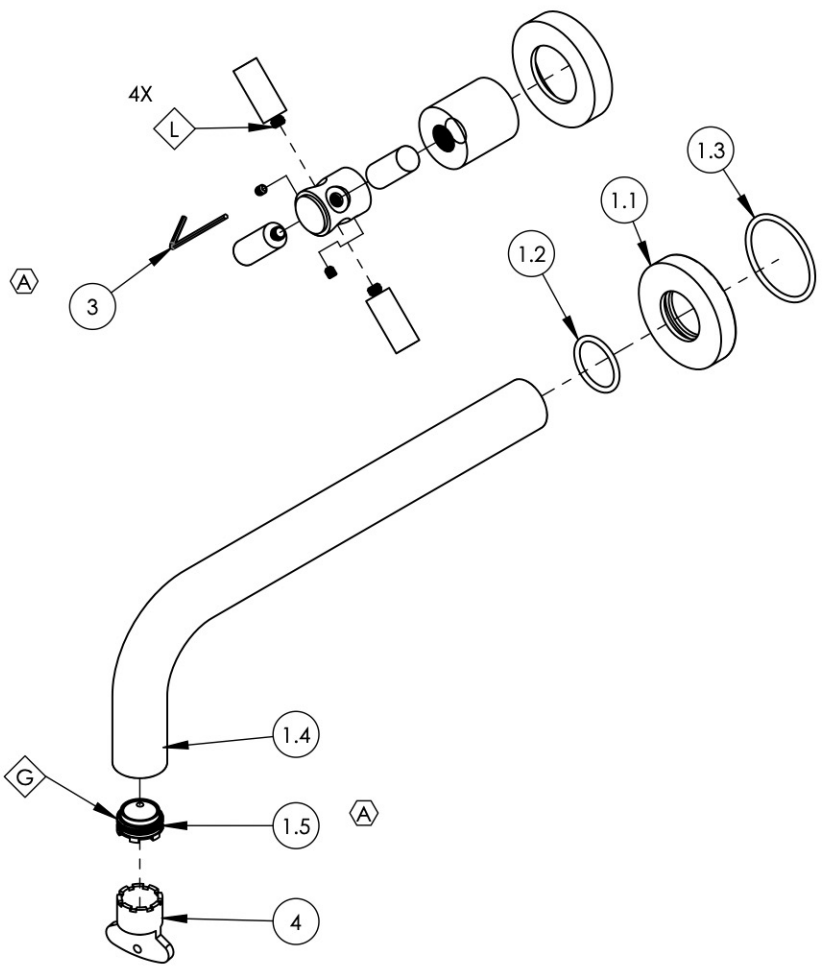


- NOTE(S):
1. PART NUMBER, "/00" DENOTES PART SHALL HAVE FINISH.
  2. APPLY NSF COMPLIANT GREASE TO ANY O-RING, SEALING JOINTS, AND/OR PIVOTAL POINTS.
  3. APPLY NSF COMPLIANT LOCTITE TO THREADED AREA.
  4. APPLY NSF COMPLIANT REMOVABLE (BLUE) LOCTITE TO THREADED AREA.
  5. SILVER SOLDER JOINTS SHALL BE FULLY WETTED VIA CAPILLARY ACTION AND COMPLETELY NON-POROUS.

- G
- L
- B
- S

ITEM NO.	PART NUMBER	DESCRIPTION	QTY.
1	3-415/00	ASSY. 10" C-C WALL LAV. SPOUT, BASIC	1
1.1	P19017/00	ESCUTCHEON, FOR SPOUT	1
1.2	90119	O-RING, 15/16"ID X 1-1/8"OD X 3/32"THK, AS-568-119	1
1.3	90129	O-RING, 1-9/16"ID X 3/32THK, AS-568-129	1
1.4	10479/00	10" WALL LAV SPOUT, BASIC SERIES	1
1.5	11429	AERATOR CACHE JR, 1.2GPM, M21.5X1.0, 42.2260.450	1
2	3-442/00	ASSY, TUBULAR CROSS HANDLE, BASIC	2
2.1	3-439/00	ASSY. CROSS HANDLE TUBULAR, BASIC SERIES	1
2.2	P02035_2/00	ESCUTCHEON, CONTEMPORARY	1
2.3	P02035_1/00	HUB ESCUTCHEON, CONTEMPORARY TOP	1
3	92021	HEX KEY 5/64, FOR 8-32 SET SCREW	1
4	P05025	AERATOR, BASIC KEY, PLASTIC RED	1



DS, B5, C3	REV.	DESCRIPTION	DATE	APPROVED
A		UPDATE HANDLE ASSEMBLY, AERATOR, & HEX KEY	10/29/2021	AMM
REVISIONS				

1261 LOGAN AVENUE  
COSTA MESA, CALIFORNIA 92626  
PHONE: 714.361.4800  
FAX: 714.617.3120

**PHYLIRICH**<sup>®</sup>  
Defining Luxury Since 1959

**PROPRIETARY AND CONFIDENTIAL**  
THE INFORMATION CONTAINED IN THIS DRAWING IS THE SOLE PROPERTY OF PHYLIRICH. ANY REPRODUCTION IN PART OR AS A WHOLE WITHOUT THE WRITTEN PERMISSION OF PHYLIRICH IS PROHIBITED.  
**DO NOT SCALE DRAWING**

WALL LAV SET, 10" L W/ CROSS TUBULAR, BASIC, (131-12)

SIZE <b>A</b>	ASM/PRT NO. DWL134-10/00	REV A
SCALE: 1:3.5	WEIGHT: lbs.	SHEET 1 OF 2