

5

4

3

2

1

E

E

D

D

C

C

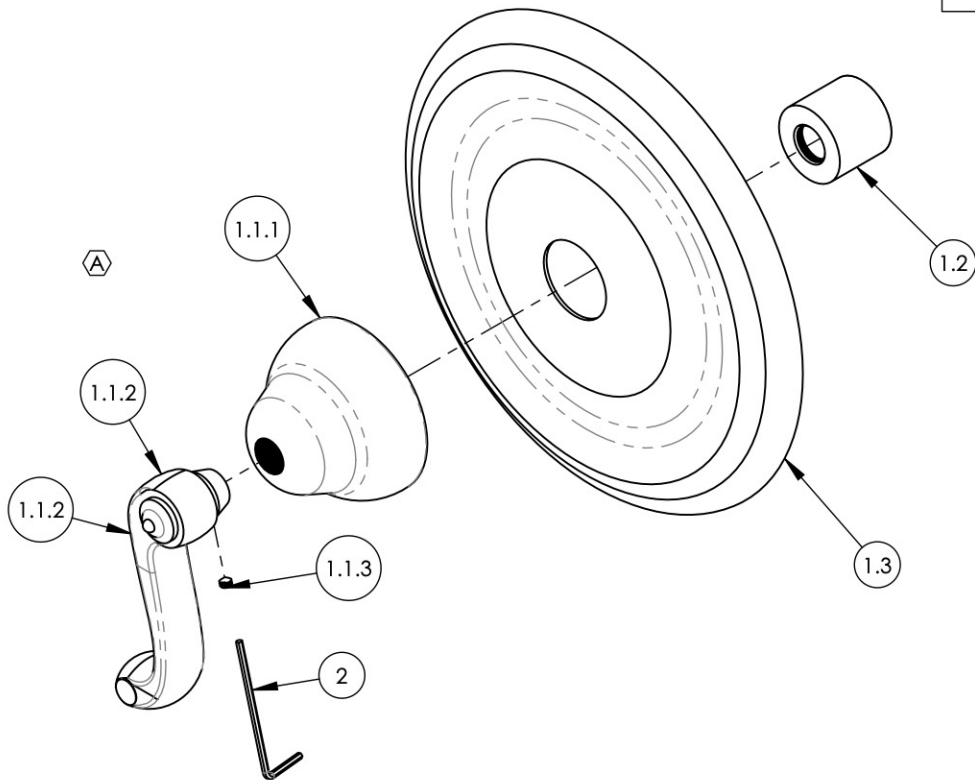
B

B

A

A

ITEM NO.	PART NUMBER	DESCRIPTION	QTY.
1	4-072/00	PB PLATE, CURVED LEVER, REVERE & SAVANNAH	1
1.1	3-473/00	ASSY. RIGHT CURVED HANDLE, REVERE & SAVANNAH	1
1.1.1	P02004/00	K190X2 COVER PLATE	1
1.1.2	P01002/00	HANDLE LEVER, RIGHT REVERE & SAVANNAH	1
1.1.3	92163	SET SCREW, CONE PT 8-32 X 1/8"L	1
1.2	11087	SLEEVE FOR PB-THERM PLATE	1
1.3	P17009/00	PRESSURE BALANCE TRIM PLATE	1
2	P39001	HEX KEY 5/64, FOR 8-32 SET SCREW	1



ZONE	REV.	DESCRIPTION	DATE	APPROVED
C4	A	UPDATE HANDLE SUBASSY	9/22/2020	AMM
REVISIONS				

1261 LOGAN AVENUE
COSTA MESA, CALIFORNIA 92626
PHONE: 714.361.4800
FAX: 714.617.3120

PHYLIRICH[®]
Defining Luxury Since 1959

PROPRIETARY AND CONFIDENTIAL
THE INFORMATION CONTAINED IN THIS DRAWING IS THE SOLE PROPERTY OF PHYLIRICH. ANY REPRODUCTION IN PART OR AS A WHOLE WITHOUT THE WRITTEN PERMISSION OF PHYLIRICH IS PROHIBITED.

-	-	INTERPRET GEOMETRIC DIMENSIONING & TOLERANCING IN ACCORDANCE WITH ASME Y14.5-2009 & ASME Y14.41-2003 STANDARDS, UNLESS OTHERWISE SPECIFIED. DIMENSIONS ARE IN INCHES. TOLERANCES ARE:		
NEXT ASSY	USED ON	FRACTIONS ±1/16"	DECIMALS X.X: ±.1 X.XX: ±.01 X.XXX: ±.005	ANGULAR ±2°
APPLICATION		MATERIAL	NAME	DATE
FINISH		DRAWN	AMM	6/19/2020
DO NOT SCALE DRAWING		CHECKED	AMM	6/19/2020

SHOWER TRIM PLATE, CURVED LEVER, REVERE & SAVANNAH

SIZE	ASM/PRT NO.	REV
A	DTH102/00	A
SCALE: 1:2.5	WEIGHT: lbs.	SHEET 1 OF 2

5

4

3

2

1