

Pressure Balance Tub and Shower Set

DPB2134



TECHNICAL DETAILS

ADA Compliance: Yes
 Access Hole Diameter: 5"
 Handle Turn Angle: 115°
 Spout Reach: See List Below
 Type of Connection: Female 1/2" NPT Connection
 Installation Type: Wall Mounted
 Primary Material: Brass
 Valve Material: Ceramic
 Shower Flow Restriction: 1.8 GPM
 Spout Flow Restriction: Full Flow
 Water Pressure Maximum: 85 PSI
 Water Pressure Minimum: 20 PSI
 Water Pressure Recommended: 60 PSI

PRODUCT FEATURES

- Style: Contemporary
- Collection: Basic
- Temperature Controlled By Pressure Balance
- Tubular Cross Handle

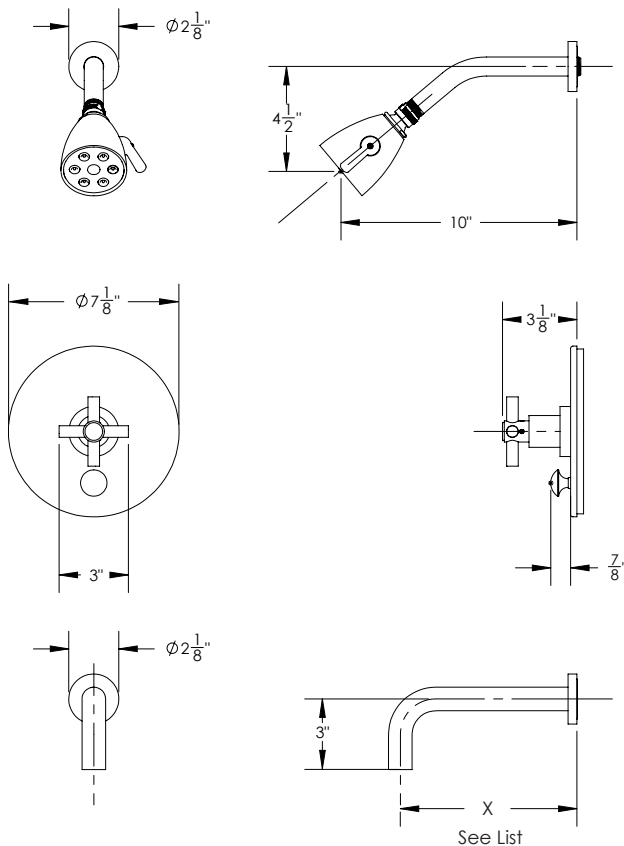
CODES & STANDARDS



ASME A112.181/ CSA B1251, ASME 112.18.2/ CSA B125.2, ANSI NSF, CEC, Watersense 61 Sect. 9, State of MA.

WARRANTY

Mechanical Warranty: 10 Years from date of purchase.
 Finish Warranty: See catalog for further information.



DIFFERENT SPOUT SIZES

DPB2134	X = 7 1/2"
DPB2134-10	X = 10"
DPB2134-12	X = 12"
DPB2134-14	X = 14"