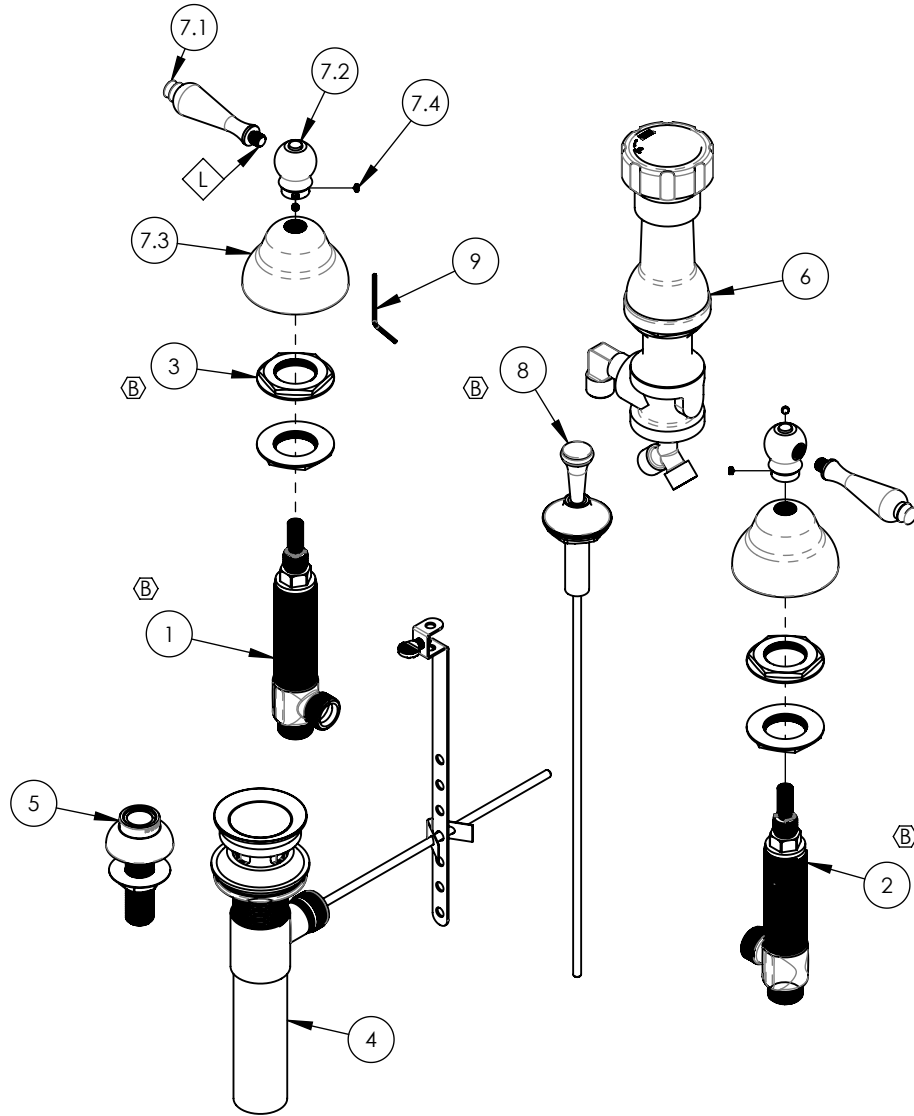


NOTE(S):

1. APPLY NSF COMPLIANT LOCTITE TO THREADED AREA. L



ITEM NO.	PART NUMBER	DESCRIPTION	QTY.
1	1-149	WIDESPREAD VALVE LAV 16PT, HOT, ONLY	1
2	1-150	WIDESPREAD VALVE LAV 16PT, COLD, ONLY	1
3	2-203	MOUNTING NUT KIT, WIDESPREAD LAV	4
4	3-046/00	POP-UP DRAIN ASSEMBLY (2-101, 2-102, & 2-246)	1
5	3-085/00	ASSY, BIDET SPRAYER	1
6	3-160/00	BIDET DIVERTER, COMPLETE	1
7	3-470/00	ASSY. LEVER HANDLE, REVERE & SAVANNAH	2
7.1	P01032/00	K160 LEVER FOR HANDLE	1
7.2	P01031/00	K160 D100 BALL FOR HANDLE, HUB	1
7.3	P02004/00	K190X2 COVER PLATE	1
7.4	92163	SET SCREW, CONE PT 8-32 X 1/8" L	2
8	3-474/00	ASSY. BIDET POP-UP ROD, 3 RING SERIES	1
9	P39001	HEX KEY 5/64, FOR 8-32 SET SCREW	1

ALL	B	UPDATE TEMPLATE, VALVES, & POP UP ASSY, ADD 2ND SHEET & CALL OUTS	6/22/2020	AMM
ZONE	REV.	DESCRIPTION	DATE	APPROVED
REVISIONS				

-	-	INTERPRET GEOMETRIC DIMENSIONING & TOLERANCING IN ACCORDANCE WITH ASME Y14.5-2009 & ASME Y14.41-2003 STANDARDS, UNLESS OTHERWISE SPECIFIED. DIMENSIONS ARE IN INCHES. TOLERANCES ARE:		
-	-			
-	-			
NEXT ASSY	USED ON	FRACTIONS ±1/16"	DECIMALS X.X: ±.1 X.XX: ±.01 X.XXX: ±.005	ANGULAR ±2°
APPLICATION		MATERIAL	NAME	DATE
FINISH		DRAWN	LLO	5/18/2016
DO NOT SCALE DRAWING		CHECKED		

FOUR HOLE BIDET SET, STRAIGHT LEVER, REVERE & SAVANNAH

SIZE	ASM/PRT NO.	REV
A	D4100/00	B

SCALE: 1:4.5 WEIGHT: lbs. SHEET 1 OF 2

1261 LOGAN AVENUE
COSTA MESA, CALIFORNIA 92626
PHONE: 714.361.4800
FAX: 714.617.3120

PHYLIRICH[®]
Defining Luxury Since 1959

PROPRIETARY AND CONFIDENTIAL
THE INFORMATION CONTAINED IN THIS DRAWING IS THE SOLE PROPERTY OF PHYLIRICH. ANY REPRODUCTION IN PART OR AS A WHOLE WITHOUT THE WRITTEN PERMISSION OF PHYLIRICH IS PROHIBITED.

5

4

3

2

1

E

E

D

D

C

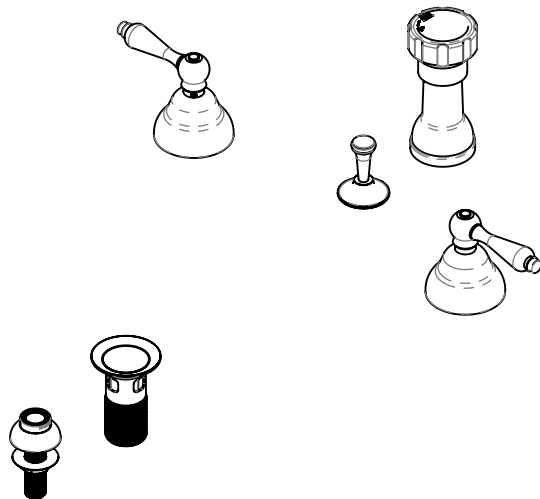
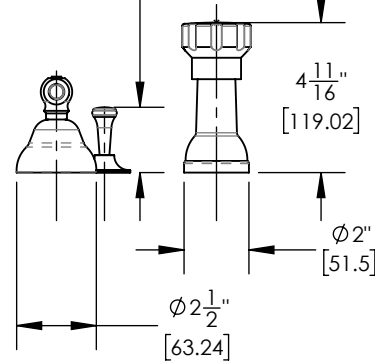
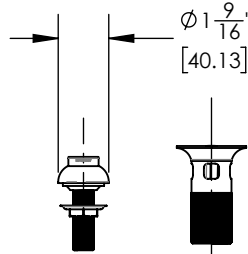
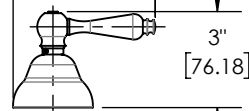
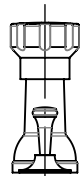
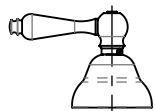
C

B

B

A

A



4"-6"
[152.4]

8"-12"
[304.8]

4 $\frac{7}{16}$ "
[112.85]

3 $\frac{3}{16}$ "
[81.23]

3"
[76.18]

$\phi 1 \frac{9}{16}$ "
[40.13]

2 $\frac{1}{16}$ "
[51.85]

4 $\frac{11}{16}$ "
[119.02]

$\phi 2$ "
[51.5]

$\phi 2 \frac{1}{2}$ "
[63.24]

1261 LOGAN AVENUE
COSTA MESA, CALIFORNIA 92626
PHONE: 714.361.4800
FAX: 714.617.3120

PHYLIRICH[®]
Defining Luxury Since 1959

PROPRIETARY AND CONFIDENTIAL
THE INFORMATION CONTAINED IN THIS DRAWING IS THE SOLE PROPERTY OF PHYLIRICH. ANY REPRODUCTION IN PART OR AS A WHOLE WITHOUT THE WRITTEN PERMISSION OF PHYLIRICH IS PROHIBITED.
DO NOT SCALE DRAWING

FOUR HOLE BIDET SET, STRAIGHT LEVER, REVERE & SAVANNAH

SIZE A	ASM/PRT NO. D4100/00	REV B
------------------	-------------------------	----------

SCALE: 1:6	WEIGHT: lbs.	SHEET 2 OF 2
------------	--------------	--------------

5

4

3

2

1