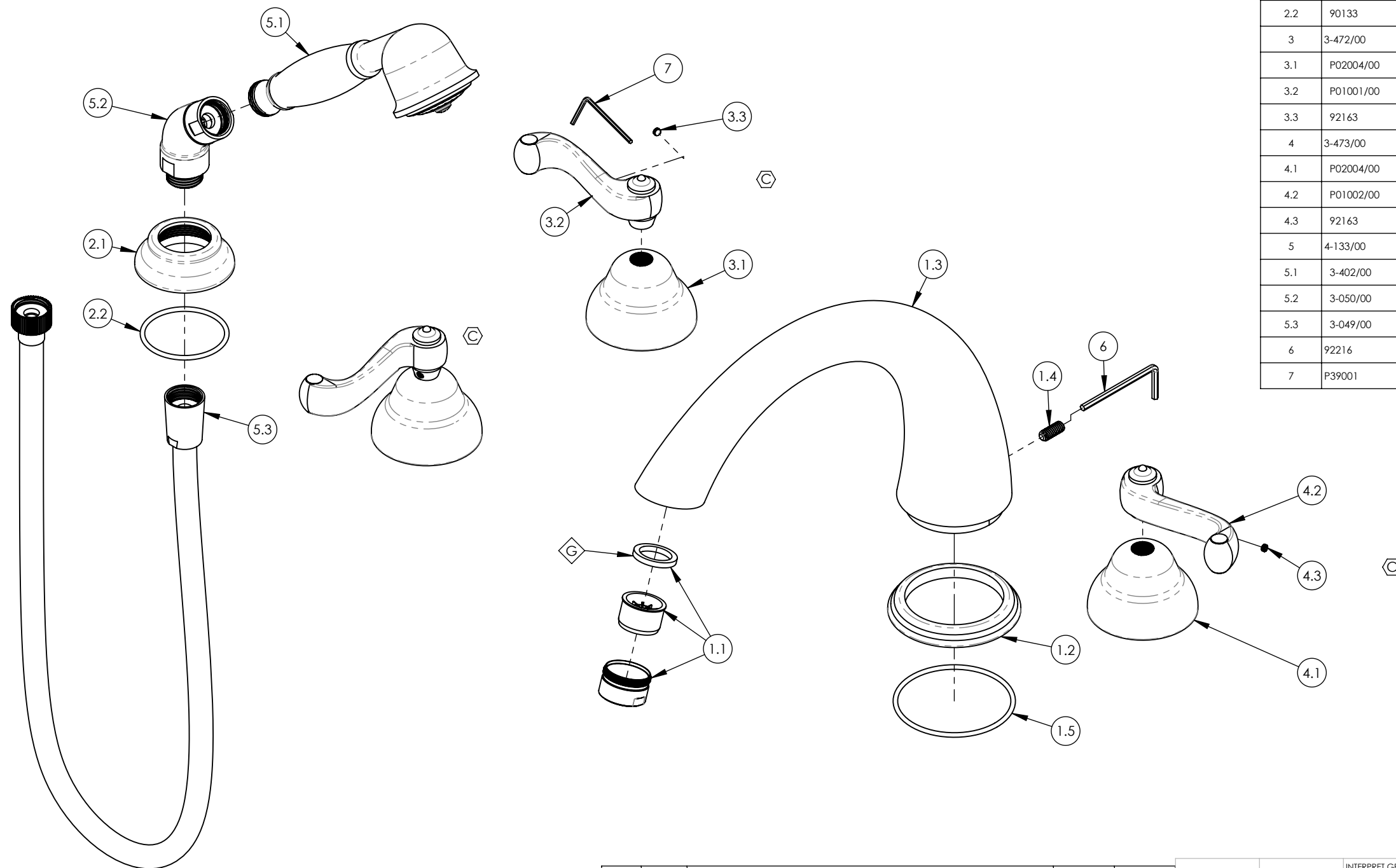


NOTE(S):
 1. APPLY NSF COMPLIANT GREASE TO ANY O-RING, SEALING JOINTS, AND/OR PIVOTAL POINTS.



ITEM NO.	PART NUMBER	DESCRIPTION	QTY.
1	3-197/00	DECK TUB SPOUT, P27020 (K5120) CARRARA, REVERE SERIES	1
1.1	3-610/00	AERATOR & HOUSING, M28X1, TUB FILLER, FULL FLOW	1
1.2	P27035/00	ESCUTCHEON BASE, 3RING DECK SPOUT	1
1.3	P27020/00	K5120 DECK SPOUT	1
1.4	92262	SET SCREW, CUP PT 1/4"-20 X 5/8"L	1
1.5	90145	O-RING, 2-9/16"ID X 3/32"THK., AS-568-145	1
2	3-210/00	ESCUTCHEON BASE, HANDSHOWER, TRADITIONAL	1
2.1	P18001/00	ESCUTCHEON BASE, DECK TUB, HANDSHOWER, TRADITIONAL	1
2.2	90133	1 3/4"O-RING, 1-13/16ID X 3/32THK, AS-568-133	1
3	3-472/00	ASSY. LEFT CURVED HANDLE, REVERE & SAVANNAH	1
3.1	P02004/00	K190X2 COVER PLATE	1
3.2	P01001/00	HANDLE LEVER, LEFT REVERE & SAVANNAH	1
3.3	92163	SET SCREW, CONE PT 8-32 X 1/8"L	1
4	3-473/00	ASSY. RIGHT CURVED HANDLE, REVERE & SAVANNAH	2
4.1	P02004/00	K190X2 COVER PLATE	1
4.2	P01002/00	HANDLE LEVER, RIGHT REVERE & SAVANNAH	1
4.3	92163	SET SCREW, CONE PT 8-32 X 1/8"L	1
5	4-133/00	HANDSHOWER W/ ELBOW & HOSE, CARRARA, GEORGETOWN, VERSAILLES	1
5.1	3-402/00	HAND SHOWER, HEAD ONLY, BELL SHAPED	1
5.2	3-050/00	ELBOW ASSEMBLY	1
5.3	3-049/00	ASSY. HOSE KIT, HANDSHOWER	1
6	92216	HEX L-KEY 1/8" HEX x 2-5/16"L	1
7	P39001	HEX KEY 5/64, FOR 8-32 SET SCREW	1

ZONE	REV.	DESCRIPTION	DATE	APPROVED
D5, D3	C	UPDATE HANDLE SUBASSYS	9/22/2020	AMM
REVISIONS				

1261 LOGAN AVENUE
 COSTA MESA, CALIFORNIA 92626
 PHONE: 714.361.4800
 FAX: 714.617.3120

PHYLIRICH®

Defining Luxury Since 1959

PROPRIETARY AND CONFIDENTIAL
 THE INFORMATION CONTAINED IN THIS DRAWING IS THE SOLE PROPERTY OF PHYLIRICH. ANY REPRODUCTION IN PART OR AS A WHOLE WITHOUT THE WRITTEN PERMISSION OF PHYLIRICH IS PROHIBITED.

INTERPRET GEOMETRIC DIMENSIONING & TOLERANCING IN ACCORDANCE WITH ASME Y14.5-2009 & ASME Y14.41-2003 STANDARDS. UNLESS OTHERWISE SPECIFIED, DIMENSIONS ARE IN INCHES. TOLERANCES ARE:	FRACTIONS ±1/16"	DECIMALS X.X: ±.1 X.XX: ±.01 X.XXX: ±.005	ANGULAR ±2°
NEXT ASSY	USED ON	APPLICATION	
MATERIAL	FINISH	DRAWN	DATE
DO NOT SCALE DRAWING		CHECKED	10/15/2013

ROMAN TUB WITH HANDSHOWER, REVERE & SAVANNAH SERIES, CURVED LEVER		
SIZE	ASM/PRT NO.	REV
B	D2202T1/00	C
SCALE: 1:2.75	WEIGHT: lbs.	SHEET 1 OF 2

8

7

6

5

4

3

2

1

E

E

D

D

C

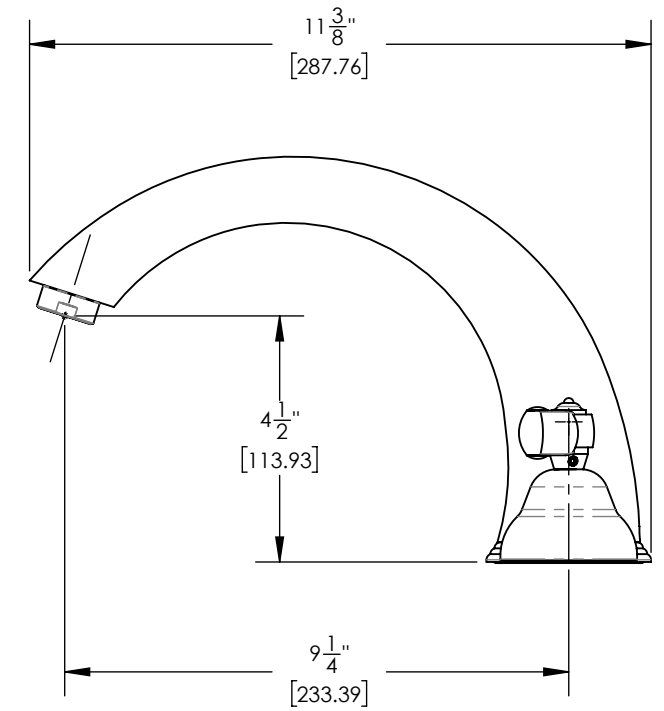
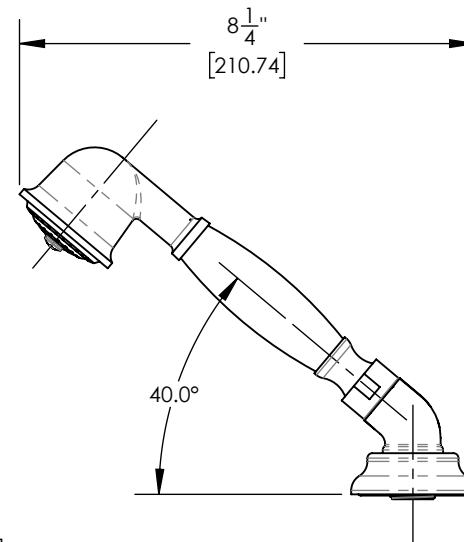
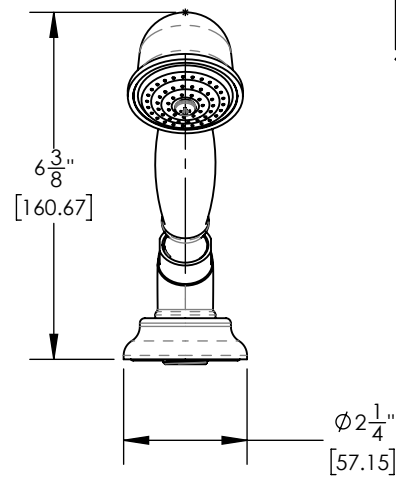
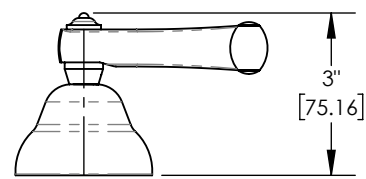
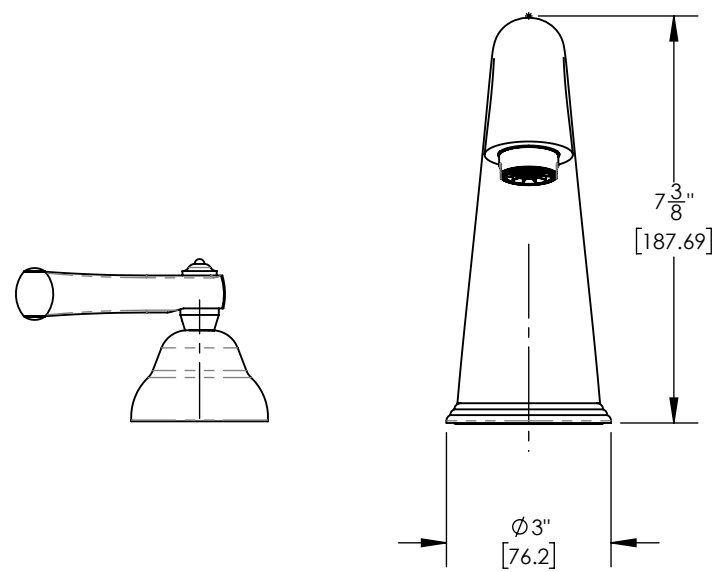
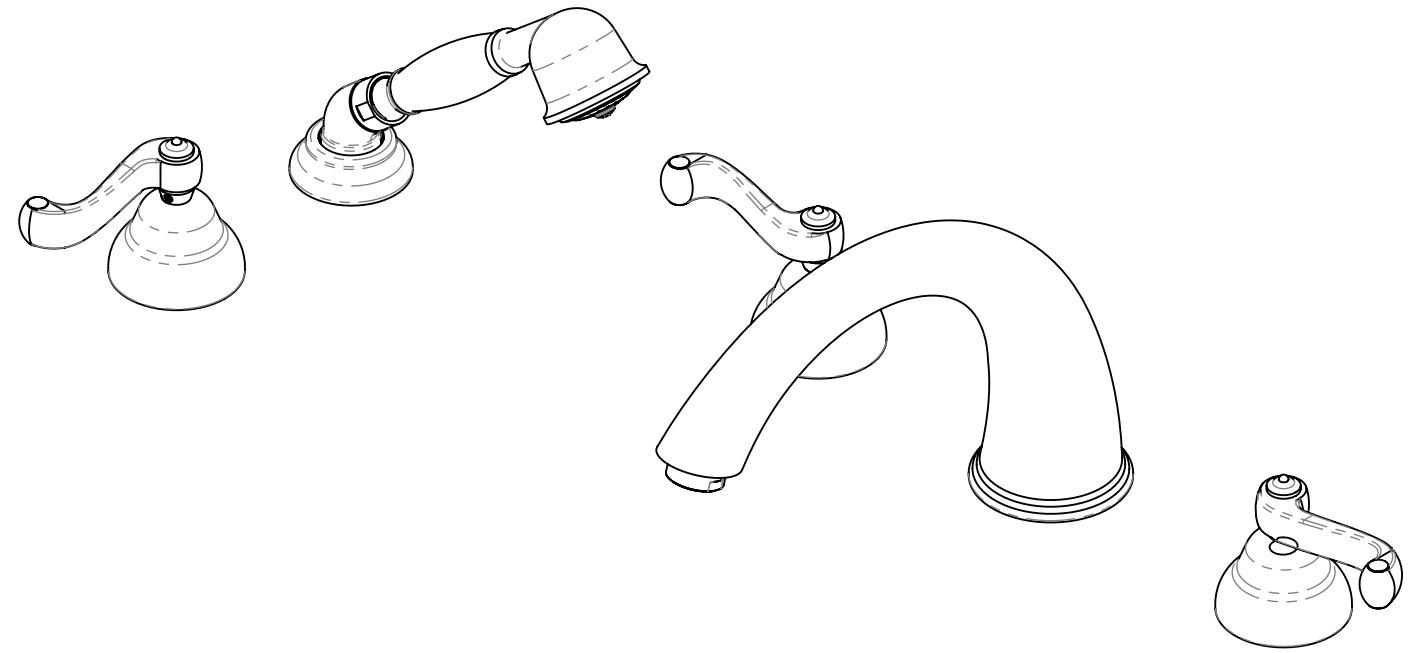
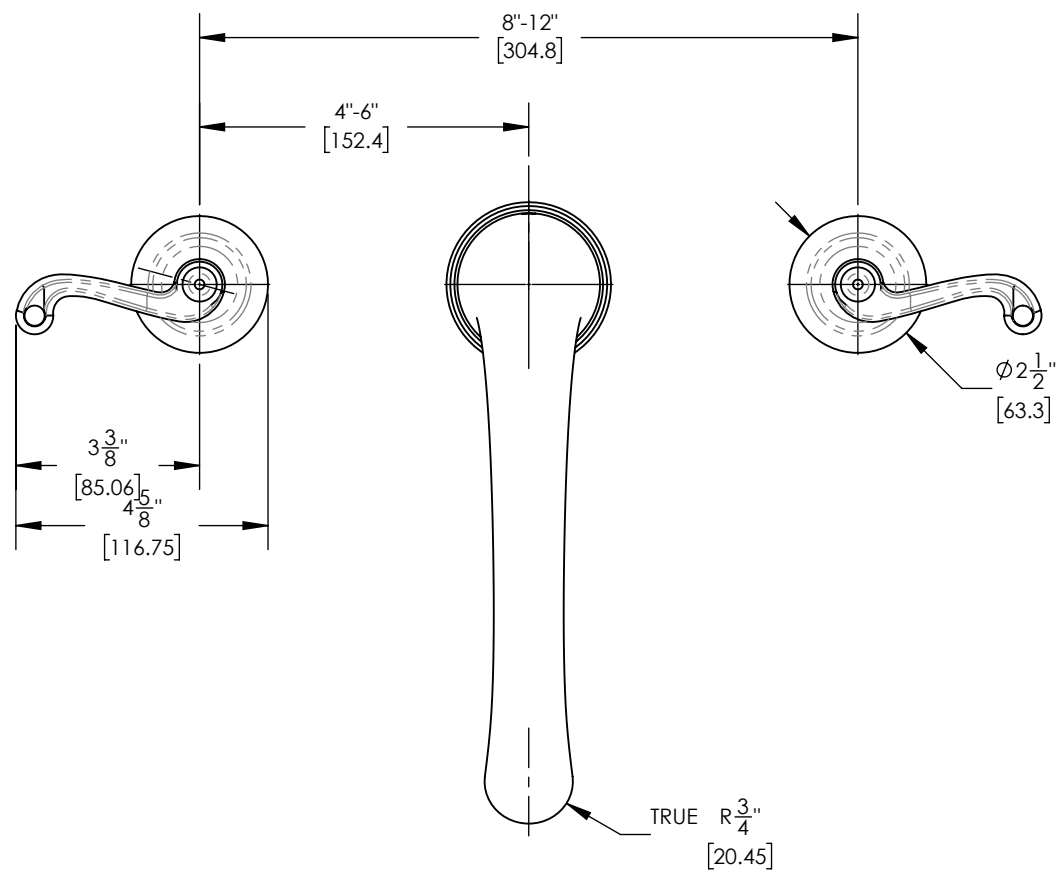
C

B

B

A

A



1261 LOGAN AVENUE
 COSTA MESA, CALIFORNIA 92626
 PHONE: 714.361.4800
 FAX: 714.617.3120

PHYLIRICH[®]
 Defining Luxury Since 1959

PROPRIETARY AND CONFIDENTIAL
 THE INFORMATION CONTAINED IN THIS DRAWING IS THE SOLE PROPERTY OF PHYLIRICH. ANY REPRODUCTION IN PART OR AS A WHOLE WITHOUT THE WRITTEN PERMISSION OF PHYLIRICH IS PROHIBITED.
DO NOT SCALE DRAWING

ROMAN TUB WITH HANDSHOWER, REVERE & SAVANNAH SERIES, CURVED LEVER

SIZE B	ASM/PRT NO. D2202T1/00	REV C
SCALE: 1:3.5	WEIGHT: lbs.	SHEET 2 OF 2

8

7

6

5

4

3

2

1