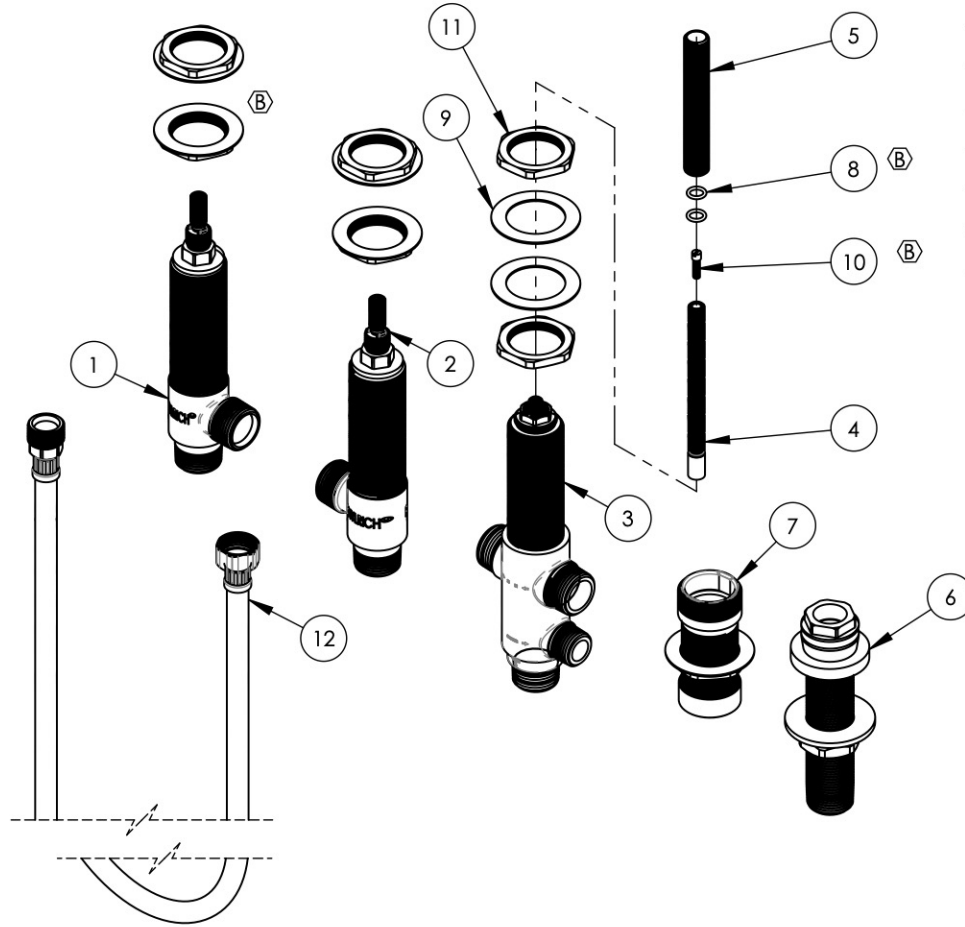


- NOTE(S):
 1. PART NUMBER, "/00" DENOTES PART SHALL HAVE FINISH.
 2. APPLY NSF COMPLIANT GREASE TO ANY O-RING, SEALING JOINTS, AND/OR PIVOTAL POINTS.
 3. APPLY NSF COMPLIANT LOCTITE TO THREADED AREA.
 4. APPLY NSF COMPLIANT REMOVABLE (BLUE) LOCTITE TO THREADED AREA.
 5. SILVER SOLDER JOINTS SHALL BE FULLY WETTED VIA CAPILLARY ACTION AND COMPLETELY NON-POROUS.

- G
- L
- B
- S



ITEM NO.	PART NUMBER	DESCRIPTION	QTY.
1	1-064	VALVE, ROMAN TUB 3/4" COLD	1
2	1-065	VALVE, ROMAN TUB 3/4" HOT	1
3	1-081	DECK DIVERTER VALVE ASSY, TWO FUNCTION	1
4	10054	STEM EXTENSION, 6" LONG 20PT INT. TO 16PT LONG EXT. BROACH	1
5	10209	SHANK, NIPPLE THREAD ALL 9/16"-20UN WITH .433"ID	1
6	2-187	QUICK CONNECT KIT WITH NIPPLE	1
7	2-191	ASSY, HANDSHOWER ROUGH MOUNT	1
8	90011	O-RING, 5/16"ID X 1/16"THK, AS-568-011	2
9	92138	BRASS WASHER, THIN	6
10	92157	SCREW, SMALL HD M4X0.7 - 1/2"L	1
11	92313	HEX NUT, 1-1/4"-20 THREAD	6
12	K6100X5HP	HOSE, HIGH PRESSURE, 1/2" X 14 NPS, 36" L	1

D4, D3	B	MAKE NUTS & WASHERS SEPERATE FROM VALVES, UPDATE SCREW & ADD O-RINGS FOR DIVERTER ASSY.	7/12/2021	AMM
ZONE	REV.	DESCRIPTION	DATE	APPROVED
REVISIONS				

1261 LOGAN AVENUE
 COSTA MESA, CALIFORNIA 92626
 PHONE: 714.361.4800
 FAX: 714.617.3120



MANUFACTURING

PROPRIETARY AND CONFIDENTIAL
 THE INFORMATION CONTAINED IN THIS DRAWING IS THE SOLE PROPERTY OF RSS MANUFACTURING. ANY REPRODUCTION IN PART OR AS A WHOLE WITHOUT THE WRITTEN PERMISSION OF RSS MANUFACTURING IS PROHIBITED.

-	-	INTERPRET GEOMETRIC DIMENSIONING & TOLERANCING IN ACCORDANCE WITH ASME Y14.5-2009 & ASME Y14.41-2003 STANDARDS, UNLESS OTHERWISE SPECIFIED. DIMENSIONS ARE IN INCHES. TOLERANCES ARE:		
NEXT ASSY	USED ON	FRACTIONS ±1/64"	DECIMALS X.X: ±.1 X.XX: ±.01 X.XXX: ±.005	ANGULAR ±.5°
APPLICATION		MATERIAL	NAME	DATE
FINISH		DRAWN	12/9/2015	
DO NOT SCALE DRAWING		CHECKED	GRE	

DECK TUB WITH HAND SHOWER VALVE

SIZE	ASM/PRT NO.	REV
A	80001249	B

SCALE: 1:4.25 WEIGHT: lbs. SHEET 1 OF 2