

5

4

3

2

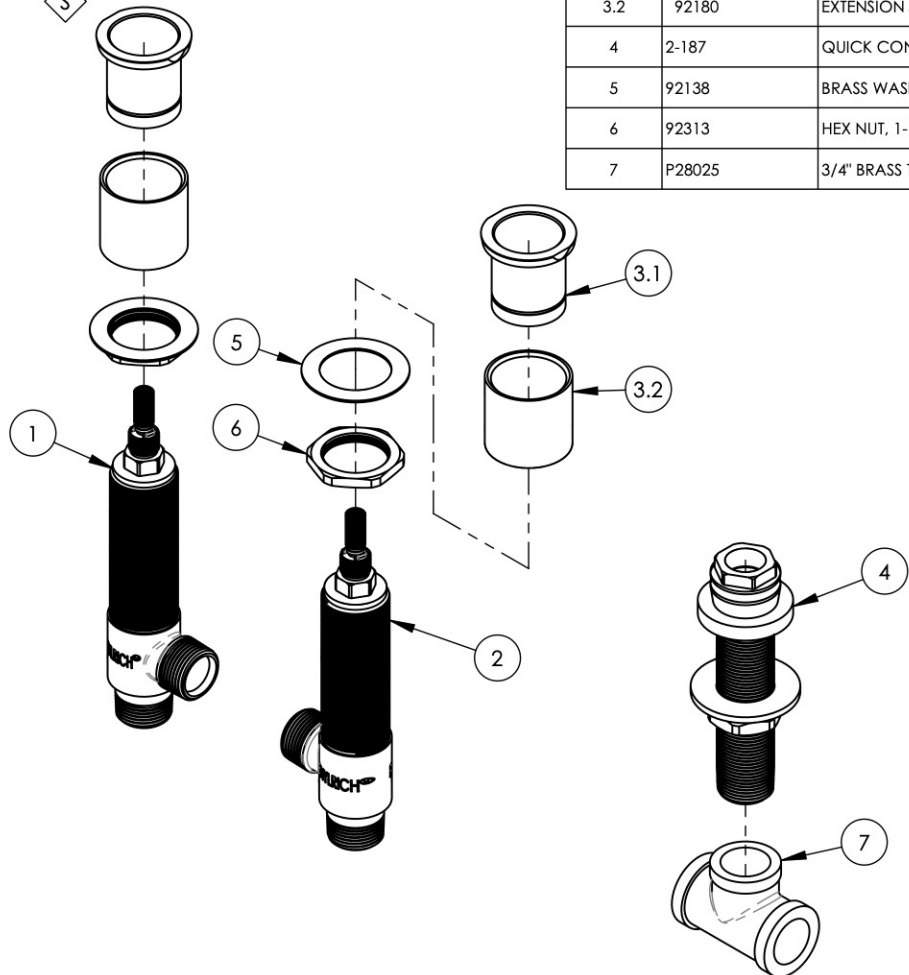
1

NOTE(S):

- 1. PART NUMBER, "/00" DENOTES PART SHALL HAVE FINISH.
- 2. APPLY NSF COMPLIANT GREASE TO ANY O-RING, SEALING JOINTS, AND/OR PIVOTAL POINTS.
- 3. APPLY NSF COMPLIANT LOCTITE TO THREADED AREA.
- 4. APPLY NSF COMPLIANT REMOVABLE (BLUE) LOCTITE TO THREADED AREA.
- 5. SILVER SOLDER JOINTS SHALL BE FULLY WETTED VIA CAPILLARY ACTION AND COMPLETELY NON-POROUS.

- G
- L
- B
- S

ITEM NO.	PART NUMBER	DESCRIPTION	QTY.
1	1-064	VALVE, ROMAN TUB 3/4" COLD	1
2	1-065	VALVE, ROMAN TUB 3/4" HOT	1
3	2-171	CONVERSION KIT FOR DECK TUB SET	1
3.1	11077	SLEEVE MOUNT, DECK (ROMAN) TUB	2
3.2	92180	EXTENSION SLEEVE, WIDESPREAD	2
4	2-187	QUICK CONNECT KIT WITH NIPPLE	1
5	92138	BRASS WASHER, THIN	2
6	92313	HEX NUT, 1-1/4"-20 THREAD	2
7	P28025	3/4" BRASS TEE F/DECK VALVE	1



ZONE	REV.	DESCRIPTION	DATE	APPROVED
REVISIONS				

1261 LOGAN AVENUE  
COSTA MESA, CALIFORNIA 92626  
PHONE: 714.361.4800  
FAX: 714.617.3120



**PROPRIETARY AND CONFIDENTIAL**  
THE INFORMATION CONTAINED IN THIS DRAWING IS THE SOLE PROPERTY OF RSS MANUFACTURING. ANY REPRODUCTION IN PART OR AS A WHOLE WITHOUT THE WRITTEN PERMISSION OF RSS MANUFACTURING IS PROHIBITED.

-	-	INTERPRET GEOMETRIC DIMENSIONING & TOLERANCING IN ACCORDANCE WITH ASME Y14.5-2009 & ASME Y14.41-2003 STANDARDS, UNLESS OTHERWISE SPECIFIED. DIMENSIONS ARE IN INCHES. TOLERANCES ARE:		
NEXT ASSY	USED ON	FRACTIONS ±1/64"	DECIMALS X.X: ±.1 X.XX: ±.01 X.XXX: ±.005	ANGULAR ±.5°
APPLICATION		MATERIAL	NAME	DATE
FINISH		DRAWN	AMM	4/30/2020
DO NOT SCALE DRAWING		CHECKED		

DECK TUB SET VALVE (MIX-STRIA)

SIZE	ASM/PRT NO.	REV
<b>A</b>	80001246	-

SCALE: 1:3.5      WEIGHT: lbs.      SHEET 1 OF 2

5

4

3

2

1