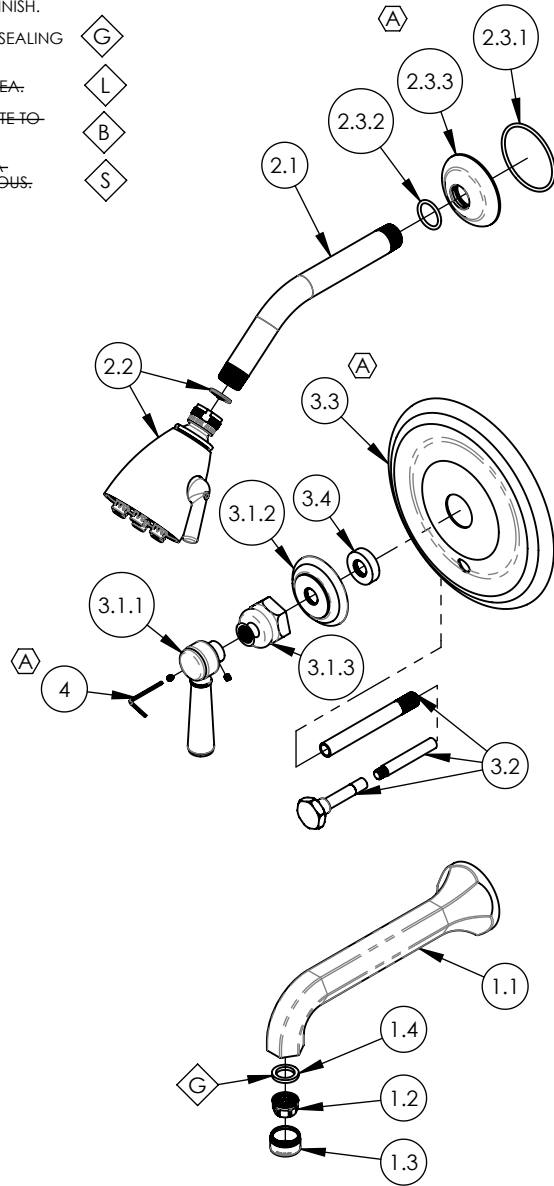


- NOTE(S):
- PART NUMBER, "/00" DENOTES PART SHALL HAVE FINISH.
  - APPLY NSF COMPLIANT GREASE TO ANY O-RING, SEALING JOINTS, AND/OR PIVOTAL POINTS.
  - APPLY NSF COMPLIANT LOCTITE TO THREADED AREA.
  - APPLY NSF COMPLIANT REMOVABLE (BLUE) LOCTITE TO THREADED AREA.
  - SILVER SOLDER JOINTS SHALL BE FULLY WETTED VIA CAPILLARY ACTION AND COMPLETELY NON-POROUS.
  - EXAMPLE OF SPLIT FINISH CODE:  
A. 3-373/026X030
  - SPLIT FINISH CODES:  
A. BLACK MARBLE = 3-373/00X030  
B. WHITE MARBLE = 3-373/00X031  
C. SOAPSTONE = 3-373/00X032
  - AVAILABLE HANDLE STONE OPTIONS:  
A. BLACK MARBLE = 11328 (030)  
B. WHITE MARBLE = 11329 (031)  
C. SOAPSTONE = 11330 (032)



ITEM NO.	PART NUMBER	DESCRIPTION	QTY.
1	3-147/00	SPOUT, WALL TUB, 500/501 SERIES	1
1.1	10427/00	SPOUT WALL, CAST BRASS, HEX	1
1.2	10721	AERATOR, NEOSTRAHL FULL FLOW	1
1.3	30032/00	AERATOR HOUSING 15/16" MALE HOUSING	1
1.4	30030	RUBBER SEAL WASHER AERATOR, NEOPERL PRT # BW.7110.1	1
2	4-140/00	SHOWER HEAD 8" ARM, 6 JET PLUNGER, HEX TRADITIONAL	1
2.1	P16008/00	SHOWER ARM (8 INCH)	1
2.2	3-018/00	SHOWERHEAD SIX JET	1
2.3	3-720/00	SHOWER FLANGE, REGENT	1
2.3.1	90138	O-RING, 2 1/8"ID X 3/32"THK., AS-568-138	1
2.3.2	90117	O-RING, 7/8"ID X 33/32"THK., AS-568-117	1
2.3.3	P16011/00	K803 SHOWER FLANGE	1
3	4-164/00	SHOWER TRIM PLATE, PB, DIVERTED, MARBLE, HEX TRAD	1
3.1	3-373/00	MARBLE LEVER HANDLE ASSY., WALL/SHOWER	1
3.1.1	2-142/00	MARBLE LEVER HANDLE, 500 SERIES, HEX TRADITIONAL	1
3.1.2	10618/00	ESCUTCHEON, TRADITIONAL 500	1
3.1.3	10621/00	BASE HUB NUT	1
3.2	3-322/00	DIVERTER EXTENSION FOR PB TUB & SHOWER SET, HEX	1
3.3	P17011/00	TRIM PLATE, PRESSURE BALANCE, SMOOTH, DOUBLE HOLE	1
3.4	11087	SLEEVE FOR PB-THERM PLATE	1
4	92021	HEX KEY 5/64, FOR 8-32 SET SCREW	1

ALL	A	UPDATE TRIM PLATE, HEX KEY, & SHOWER FLANGE SUBASSY	4/23/2021	AMM
ZONE	REV.	DESCRIPTION	DATE	APPROVED
REVISIONS				

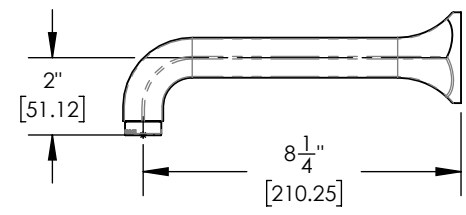
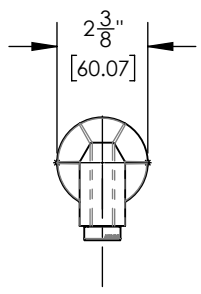
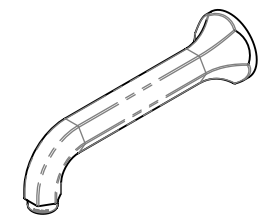
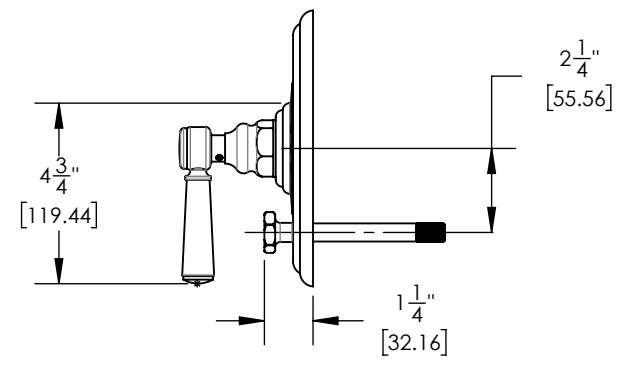
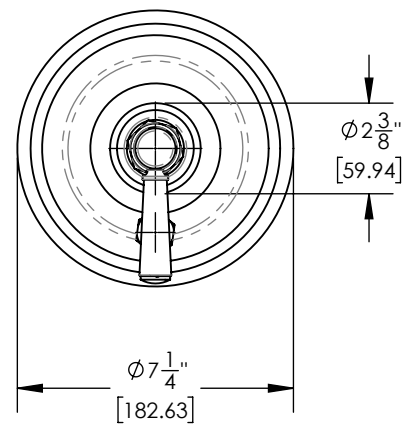
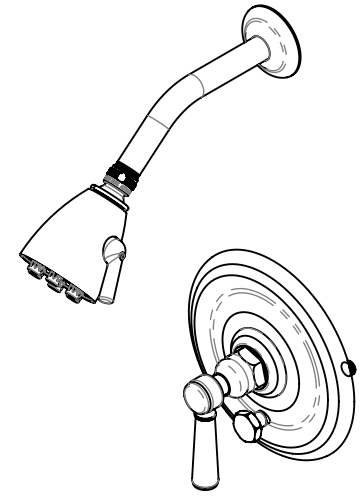
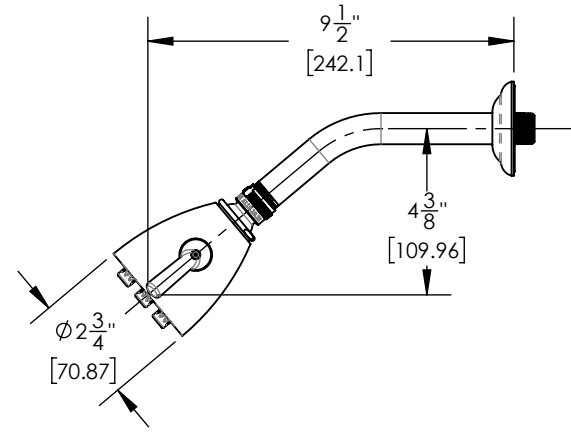
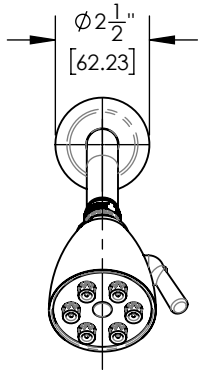
1261 LOGAN AVENUE  
COSTA MESA, CALIFORNIA 92626  
PHONE: 714.361.4800  
FAX: 714.617.3120

**PHYLIRICH**<sup>®</sup>  
Defining Luxury Since 1959

**PROPRIETARY AND CONFIDENTIAL**  
THE INFORMATION CONTAINED IN THIS DRAWING IS THE SOLE PROPERTY OF PHYLIRICH. ANY REPRODUCTION IN PART OR AS A WHOLE WITHOUT THE WRITTEN PERMISSION OF PHYLIRICH IS PROHIBITED.  
**DO NOT SCALE DRAWING**

SHOWER TRIM SET - PRESSURE BALANCE,  
TUB & SHOWER, MARBLE, HEX  
TRADITIONAL

SIZE <b>A</b>	ASM/PRT NO. 500-28/00	REV A
SCALE: 1:6	WEIGHT: lbs.	SHEET 1 OF 2



1261 LOGAN AVENUE  
COSTA MESA, CALIFORNIA 92626  
PHONE: 714.361.4800  
FAX: 714.617.3120

**PHYLIRICH**<sup>®</sup>  
Defining Luxury Since 1959

**PROPRIETARY AND CONFIDENTIAL**  
THE INFORMATION CONTAINED IN THIS DRAWING IS THE SOLE PROPERTY OF PHYLIRICH. ANY REPRODUCTION IN PART OR AS A WHOLE WITHOUT THE WRITTEN PERMISSION OF PHYLIRICH IS PROHIBITED.  
**DO NOT SCALE DRAWING**

**SHOWER TRIM SET - PRESSURE BALANCE, TUB & SHOWER, MARBLE, HEX TRADITIONAL**

<b>SIZE</b> <b>A</b>	ASM/PRT NO. 500-28/00	REV A
SCALE: 1:5	WEIGHT: lbs.	SHEET 2 OF 2