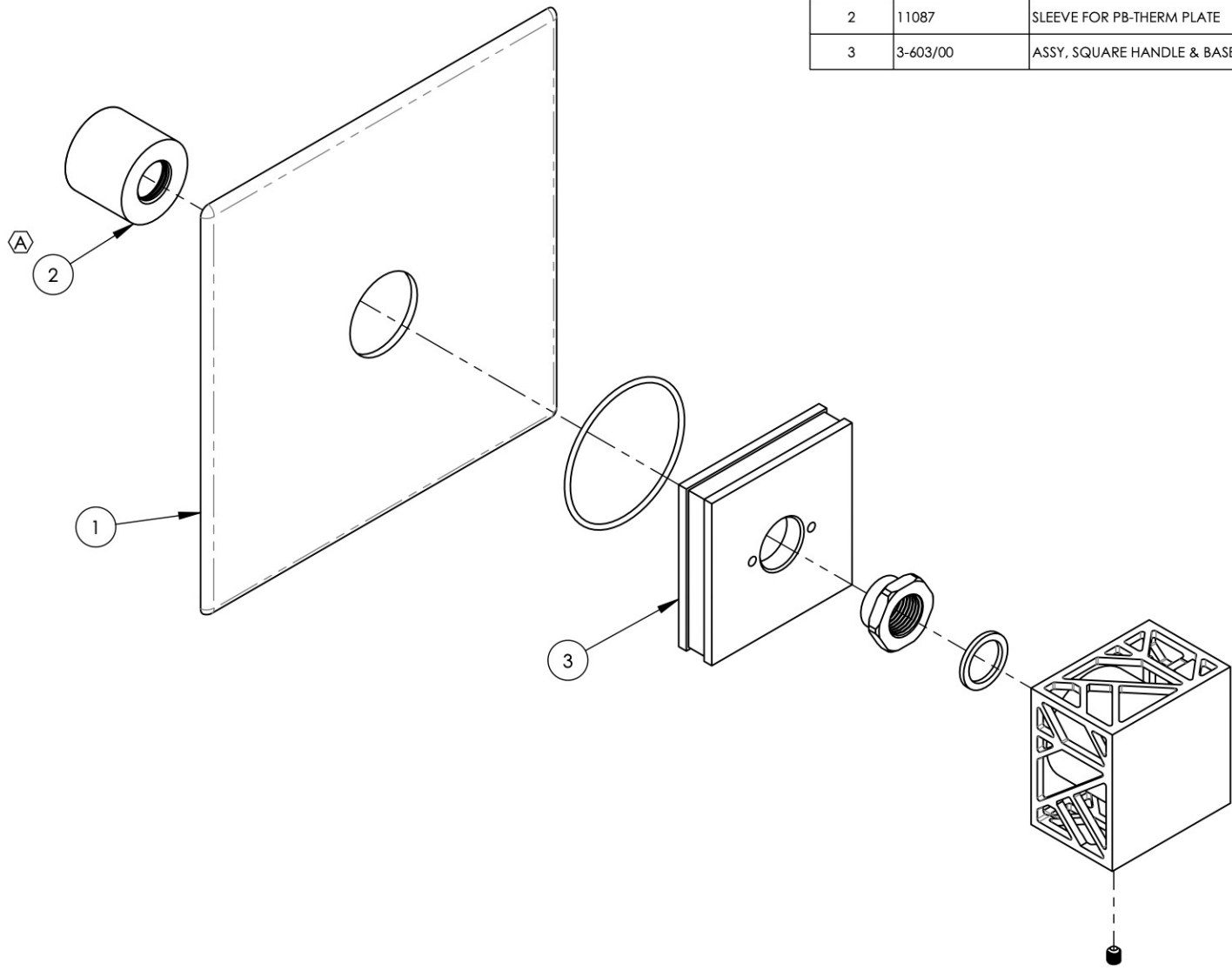


ITEM NO.	PART NUMBER	DESCRIPTION	QTY.
1	10958/00	PLATE, SHOWER TRIM MIX SERIES	1
2	11087	SLEEVE FOR PB-THERM PLATE	1
3	3-603/00	ASSY, SQUARE HANDLE & BASE, CAGE DESIGN, JOLIE	1



B5	A	UPDATE TEMPLATE, ADD SLEEVE MOUNT	4/2/2020	AMM
ZONE	REV.	DESCRIPTION	DATE	APPROVED
REVISIONS				

1261 LOGAN AVENUE
COSTA MESA, CALIFORNIA 92626
PHONE: 714.361.4800
FAX: 714.617.3120

PHYLIRICH[®]
Defining Luxury Since 1959

PROPRIETARY AND CONFIDENTIAL
THE INFORMATION CONTAINED IN THIS DRAWING IS THE SOLE PROPERTY OF PHYLIRICH. ANY REPRODUCTION IN PART OR AS A WHOLE WITHOUT THE WRITTEN PERMISSION OF PHYLIRICH IS PROHIBITED.

-	-	INTERPRET GEOMETRIC DIMENSIONING & TOLERANCING IN ACCORDANCE WITH ASME Y14.5-2009 & ASME Y14.41-2003 STANDARDS, UNLESS OTHERWISE SPECIFIED. DIMENSIONS ARE IN INCHES. TOLERANCES ARE:		
NEXT ASSY	USED ON	FRACTIONS ±1/16"	DECIMALS X.X: ±.1 X.XX: ±.01 X.XXX: ±.005	ANGULAR ±2°
APPLICATION		MATERIAL	NAME	DATE
FINISH		DRAWN	RAH	9/17/2019
DO NOT SCALE DRAWING		CHECKED		

ASSY, SHOWER TRIM, SINGLE HANDLE, SQUARE, JOLIE

SIZE	ASM/PRT NO.	REV
A	4-593/00	A
SCALE: 1:2	WEIGHT: lbs.	SHEET 1 OF 2