

5

4

3

2

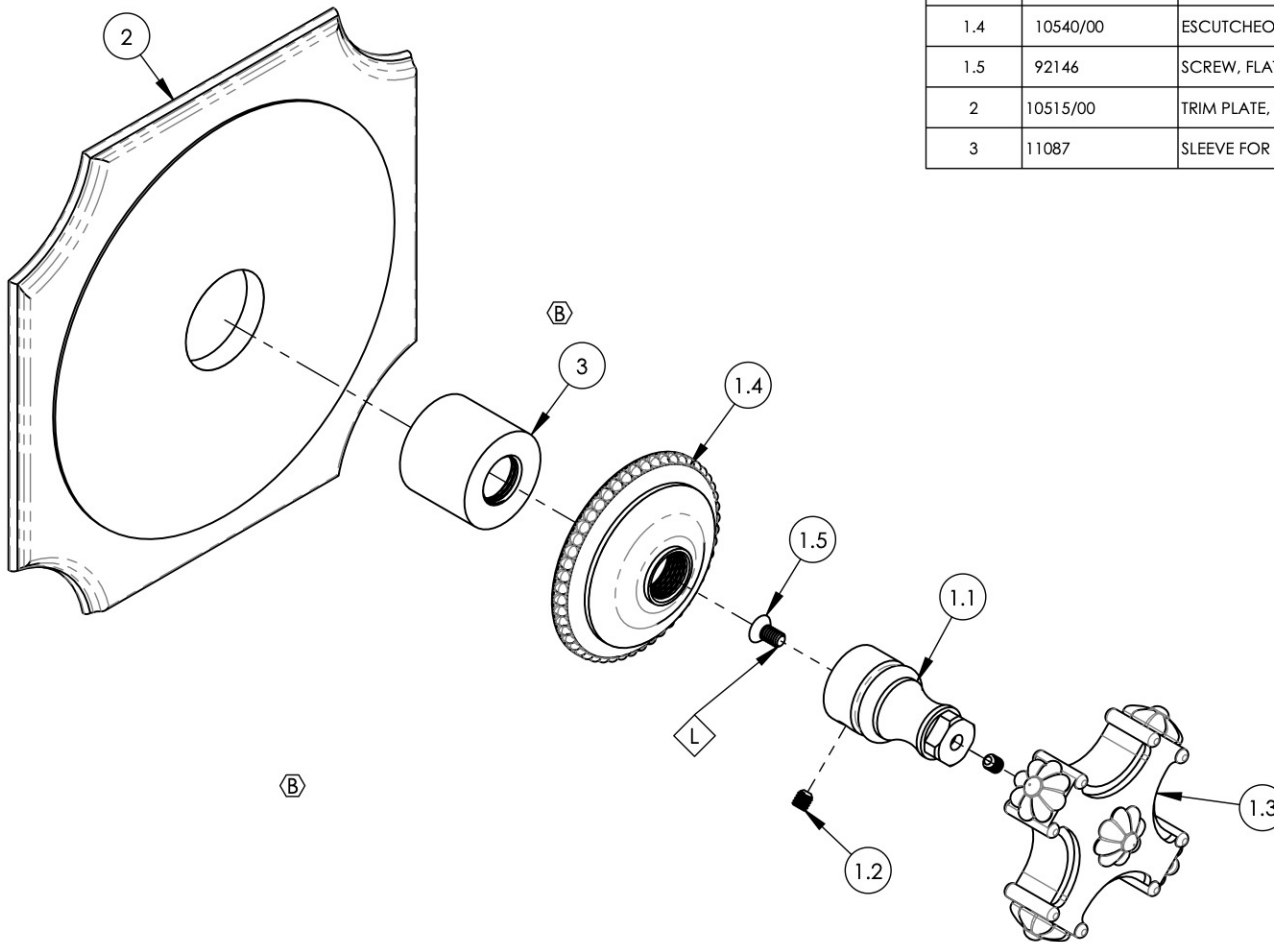
1

NOTE(S):

- 1. APPLY NSF COMPLIANT LOCTITE TO THREADED AREA. L



ITEM NO.	PART NUMBER	DESCRIPTION	QTY.
1	3-029/00	CROSS HANDLE, MARVELLE SERIES	1
1.1	10542/00	BASE HANDLE, CROSS MARVELLE	1
1.2	92008	SET SCREW, CUP POINT 8-32, 3/16" L.	2
1.3	2-114/00	SUB-ASSY. HANDLE CROSS, MARVELLE SERIES	1
1.4	10540/00	ESCUTCHEON, MARVELLE SERIES	1
1.5	92146	SCREW, FLAT HD. 8-32 x 5/16"L	1
2	10515/00	TRIM PLATE, FRENCH TRAD. PB/THERMO	1
3	11087	SLEEVE FOR PB-THERM PLATE	1



ALL	B	UPDATE TEMPLATE/ SLEEVE MOUNT, REMOVE TAPE & HEX KEY	7/27/2020	AMM
ZONE	REV.	DESCRIPTION	DATE	APPROVED
REVISIONS				

1261 LOGAN AVENUE  
COSTA MESA, CALIFORNIA 92626  
PHONE: 714.361.4800  
FAX: 714.617.3120

**PHYLIRICH**<sup>®</sup>  
Defining Luxury Since 1959

**PROPRIETARY AND CONFIDENTIAL**  
THE INFORMATION CONTAINED IN THIS DRAWING IS THE SOLE PROPERTY OF PHYLIRICH. ANY REPRODUCTION IN PART OR AS A WHOLE WITHOUT THE WRITTEN PERMISSION OF PHYLIRICH IS PROHIBITED.

-	-	INTERPRET GEOMETRIC DIMENSIONING & TOLERANCING IN ACCORDANCE WITH ASME Y14.5-2009 & ASME Y14.41-2003 STANDARDS, UNLESS OTHERWISE SPECIFIED. DIMENSIONS ARE IN INCHES. TOLERANCES ARE:		
NEXT ASSY	USED ON	<b>FRACTIONS</b> ±1/16"	<b>DECIMALS</b> X.X: ±.1 X.XX: ±.01 X.XXX: ±.005	<b>ANGULAR</b> ±2°
MATERIAL	APPLICATION	NAME	DATE	
FINISH	DRAWN	LLO	10/15/2015	
<b>DO NOT SCALE DRAWING</b>	CHECKED	GRE		

**1/2" MINI THERMOSTATIC SHOWER TRIM, CROSS HANDLE, MARVELLE**

SIZE	ASM/PRT NO.	REV
<b>A</b>	4-475/00	<b>B</b>

SCALE: 1:2      WEIGHT: lbs.      SHEET 1 OF 2

5

4

3

2

1