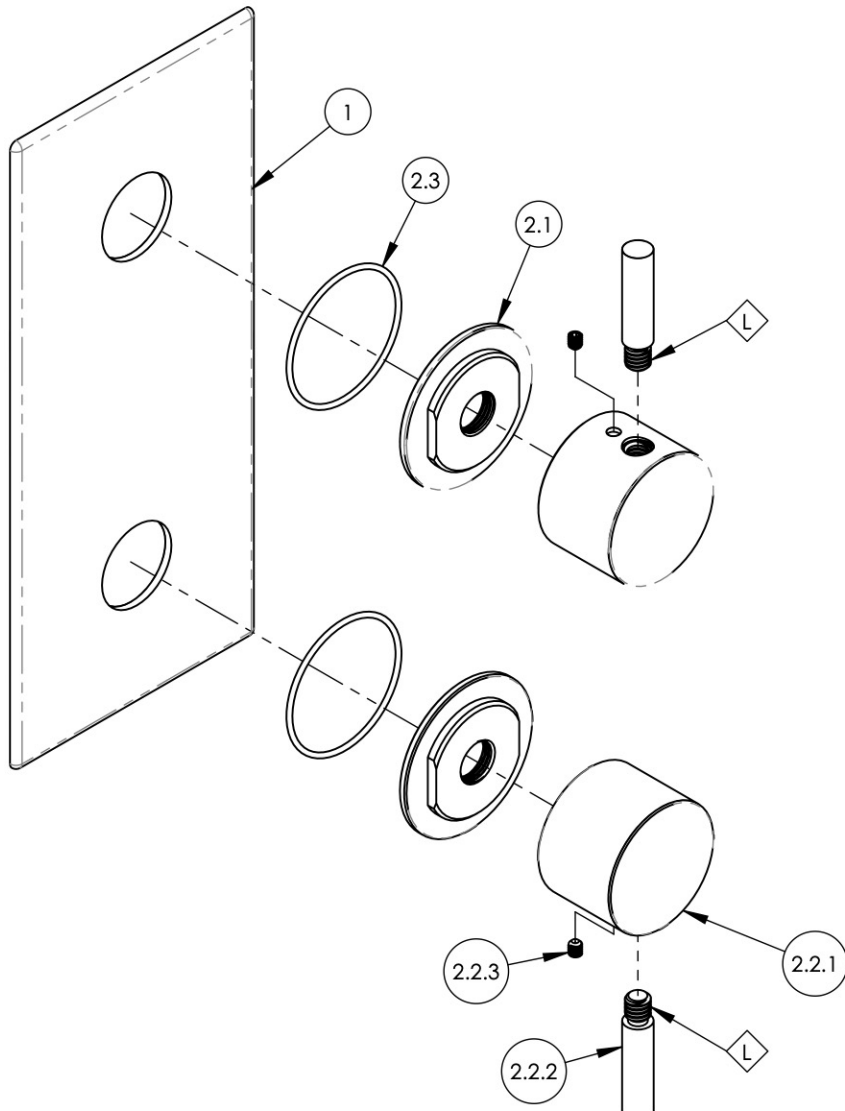


NOTE(S):

1. APPLY NSF COMPLIANT LOCTITE TO THREADED AREA. L



| ITEM NO. | PART NUMBER | DESCRIPTION                             | QTY. |
|----------|-------------|---|------|
| 1        | 11204/00    | PLATE, TWO HANDLE FLAT RADII EDGE       | 1    |
| 2        | 3-339/00    | SUB ASSY. LEVER HANDLE, BASIC II        | 2    |
| 2.1      | 11164/00    | ESCUTCHEON BASE, CONTEMP. BASIC II      | 1    |
| 2.2      | 2-249/00    | HANDLE LEVER, BASIC II                  | 1    |
| 2.2.1    | 11167/00    | BASE HANDLE, CONTEMP. BASIC II          | 1    |
| 2.2.2    | 11168/00    | HANDLE LEVER, CONTEMP. BASIC II         | 1    |
| 2.2.3    | 92008       | SET SCREW, CUP POINT 8-32, 3/16" L.     | 1    |
| 2.3      | 90031       | O-RING, 1-3/4"ID X 1/16"THK, AS-568-031 | 1    |

| ALL       | A    | UPDATE TEMPLATE, EXPLODE VIEW MORE, REMOVE TAPE, ADD CALL OUTS | 4/30/2020 | AMM      |
|-----------|------|--|-----------|----------|
| ZONE      | REV. | DESCRIPTION  | DATE      | APPROVED |
| REVISIONS |      |  |           |          |

1261 LOGAN AVENUE  
COSTA MESA, CALIFORNIA 92626  
PHONE: 714.361.4800  
FAX: 714.617.3120

**PHYL RICH**<sup>®</sup>  
Defining Luxury Since 1959

**PROPRIETARY AND CONFIDENTIAL**  
THE INFORMATION CONTAINED IN THIS DRAWING IS THE SOLE PROPERTY OF PHYL RICH. ANY REPRODUCTION IN PART OR AS A WHOLE WITHOUT THE WRITTEN PERMISSION OF PHYL RICH IS PROHIBITED.

|                             |         |   |  |                |
|-----------------------------|---------|---|--|----------------|
| -                           | -       | INTERPRET GEOMETRIC DIMENSIONING & TOLERANCING IN ACCORDANCE WITH ASME Y14.5-2009 & ASME Y14.41-2003 STANDARDS, UNLESS OTHERWISE SPECIFIED. DIMENSIONS ARE IN INCHES. TOLERANCES ARE: |  |                |
| NEXT ASSY                   | USED ON | FRACTIONS<br>±1/16"   | DECIMALS<br>X.X: ±.1<br>X.XX: ±.01<br>X.XXX: ±.005 | ANGULAR<br>±2° |
| APPLICATION                 |         | MATERIAL  | NAME   | DATE           |
| FINISH                      |         | DRAWN   | LLO  | 3/11/2015      |
| <b>DO NOT SCALE DRAWING</b> |         | CHECKED   | LLO  |                |

1/2" MINI THERM. TRIM, 2 HANDLE, LEVER, BASIC II

| SIZE     | ASM/PRT NO. | REV      |
|----------|-------------|----------|
| <b>A</b> | 4-171/00    | <b>A</b> |

SCALE: 1:2.25    WEIGHT: lbs.    SHEET 1 OF 2