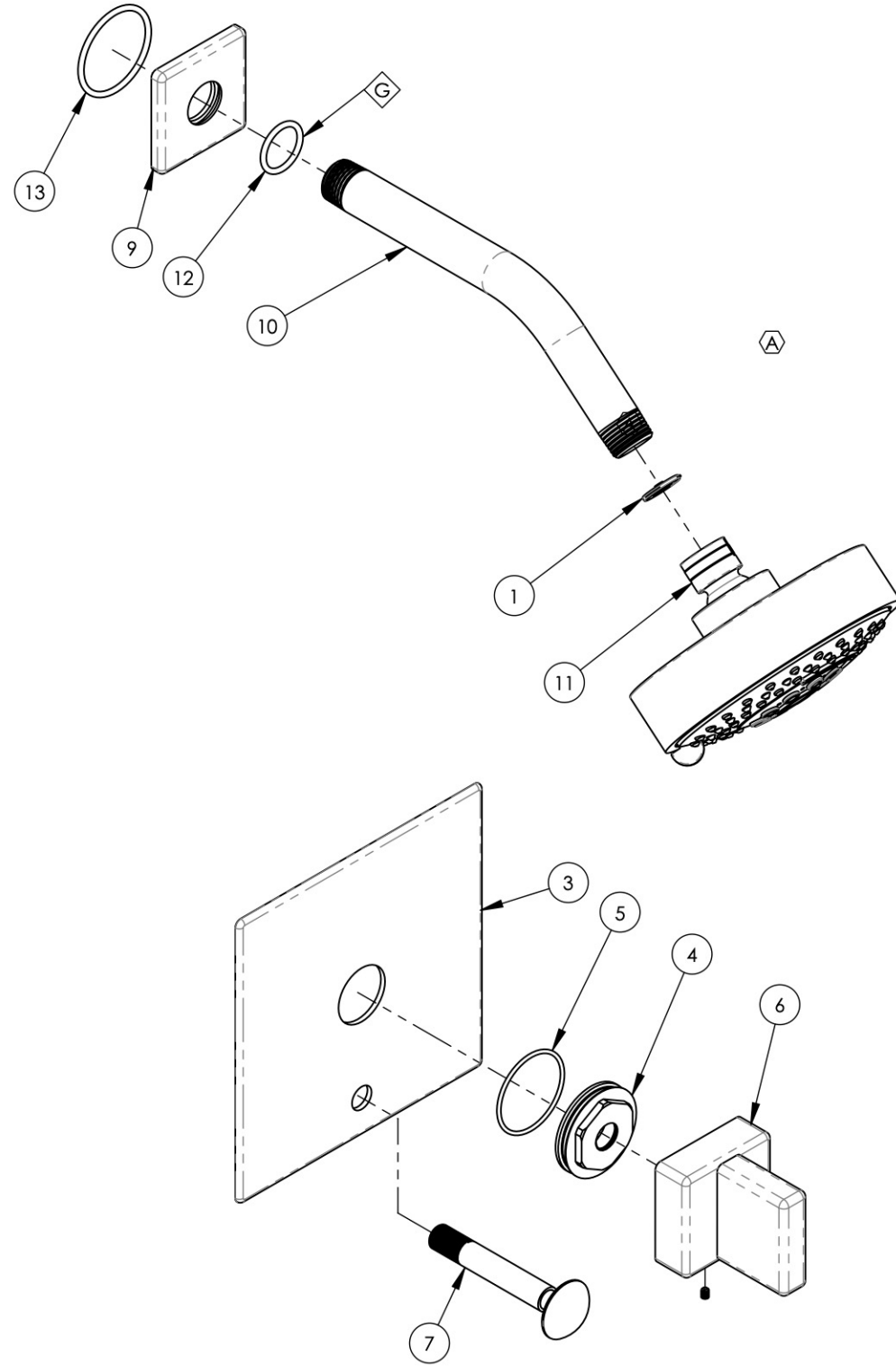


NOTE(S):
 1. PART NUMBER, "/00" DENOTES PART SHALL HAVE FINISH.
 2. APPLY NSF COMPLIANT GREASE TO ANY O-RING, SEALING JOINTS, AND/OR PIVOTAL POINTS.



ITEM NO.	PART NUMBER	DESCRIPTION	QTY.
1	11432	1.75 GPM FLOW REGULATOR	1
2	4-107/00	SHOWER TRIM PLATE, PRESSURE BALANCE DIVERTED, BLADE, MIX	1
3	10959/00	SHOWER TRIM PLATE W/ DIVERTER HOLE, MIX SERIES	1
4	11004	SLEEVE MOUNT, WALL SHOWER	1
5	90029	O-RING, 1-5/8"ID X 1-3/4"OD X 1/16"THK, AS-568-029	1
6	3-119/00	PB SHOWER SET, HANDLE BLADE MIX	1
7	3-125/00	EXTENSION ASSY FOR PB TUB & SHOWER SET	1
8	4-139/00	SHOWER HEAD 8" ARM, MULTI-FUNCTION, SQ. WALL FLANGE, MIX STRIA SERIES	1
9	10935/00	ESCUTCHEON, SHOWER FLANGE MIX SERIES	1
10	P16008/00	SHOWER ARM (8 INCH)	1
11	3-454/00	SHOWER HEAD MULTI. FUNC. CONTEMP.	1
12	90117	O-RING, 7/8"ID X 33/32"THK., AS-568-117	1
13	90129	O-RING, 1-9/16"ID X 3/32"THK, AS-568-129	1

ALL	A	UPDATE TEMPLATE, NAME, SHOWERHEAD & DIVERTED HANDLE ASSY	11/21/2019	AMM
ZONE	REV.	DESCRIPTION	DATE	APPROVED
REVISIONS				

1261 LOGAN AVENUE
 COSTA MESA, CALIFORNIA 92626
 PHONE: 714.361.4800
 FAX: 714.617.3120

PHYLIRICH[®]
 Defining Luxury Since 1959

PROPRIETARY AND CONFIDENTIAL
 THE INFORMATION CONTAINED IN THIS DRAWING IS THE SOLE PROPERTY OF PHYLIRICH. ANY REPRODUCTION IN PART OR AS A WHOLE WITHOUT THE WRITTEN PERMISSION OF PHYLIRICH IS PROHIBITED.

NEXT ASSY	USED ON	FRACTIONS ±1/16"	DECIMALS X.X: ±.1 X.XX: ±.01 X.XXX: ±.005	ANGULAR ±2°
APPLICATION		MATERIAL	NAME	DATE
FINISH		DRAWN	LLO	8/7/2015
DO NOT SCALE DRAWING		CHECKED	GRE	

SHOWER TRIM SET - PRESSURE BALANCE, DIVERTED, SHOWERHEAD LESS SPOUT, BLADE, MIX		
SIZE	ASM/PRT NO.	REV
B	4-142/00	A
SCALE: 1:3	WEIGHT: lbs.	SHEET 1 OF 2