

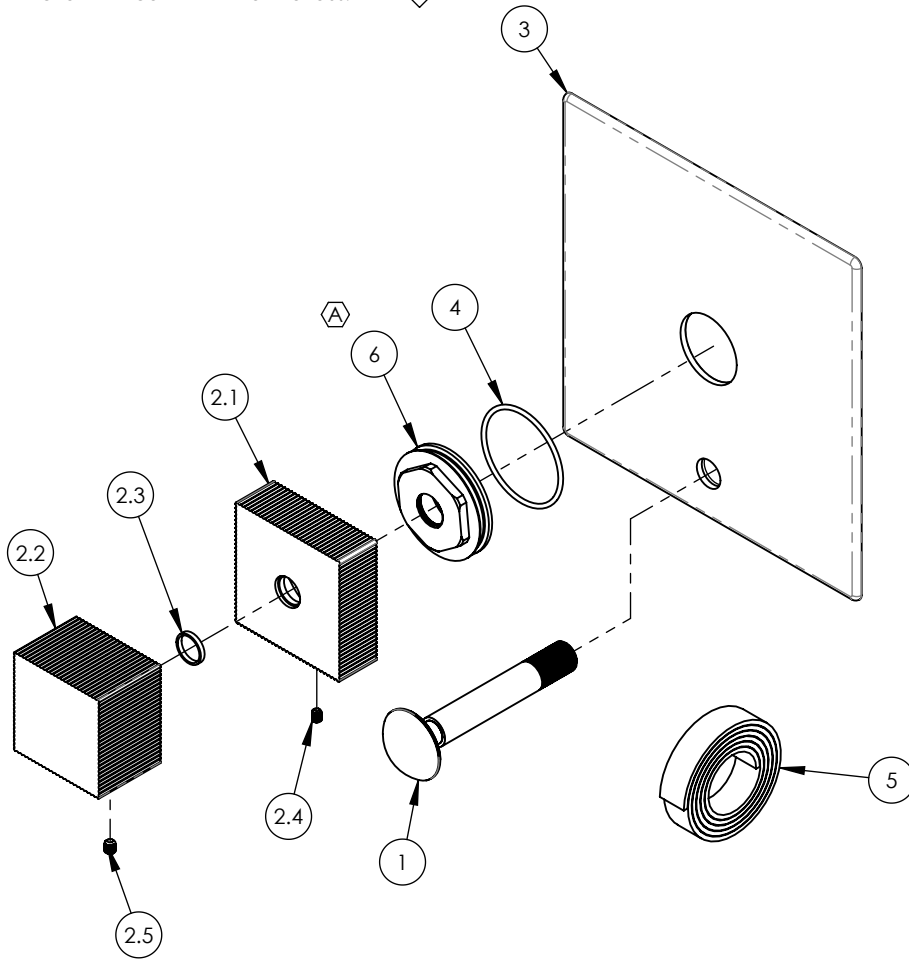
NOTE(S):
 1. PART NUMBER, "/00" DENOTES PART SHALL HAVE FINISH.

2. APPLY NSF COMPLIANT GREASE TO ANY O-RING, SEALING JOINTS, AND/OR PIVOTAL POINTS.

3. APPLY NSF COMPLIANT LOCTITE TO THREADED AREA.

4. APPLY NSF COMPLIANT REMOVABLE (BLUE) LOCTITE TO THREADED AREA.

5. SILVER SOLDER JOINTS SHALL BE FULLY WETTED VIA CAPILLARY ACTION AND COMPLETELY NON-POROUS.



ITEM NO.	PART NUMBER	DESCRIPTION	QTY.
1	3-125/00	DIVERTER EXTENSION ASSY FOR PB TUB & SHOWER SET	1
2	3-130/00	PB SHOWER SET, CUBE EDGE SERIES	1
2.1	10963/00	HUB FOR SHOWER, EDGE SERIES	1
2.2	11013/00	HANDLE, SQUARE/CUBE NO LETTER, EDGE SERIES	1
2.3	92176	WEAR WASHER	1
2.4	92005	SET SCREW, CUP PT 6-32 UNC THREAD 3/16"L	1
2.5	92008	SET SCREW, CUP POINT 8-32, 3/16" L.	1
3	10959/00	SHOWER TRIM PLATE W/ DIVERTER HOLE, MIX SERIES	1
4	90029	O-RING, 1-5/8"ID X 1-3/4"OD X 1/16"THK, AS-568-029	1
5	90537	1/16" TAPE FOR WALL PLATE	1
6	92401	BASE MOUNT, TRIM PLATE TO ESCUTCHEON	1

D4	A	UPDATE SLEEVE MOUNT	6/11/2021	AMM
ZONE	REV.	DESCRIPTION	DATE	APPROVED

REVISIONS

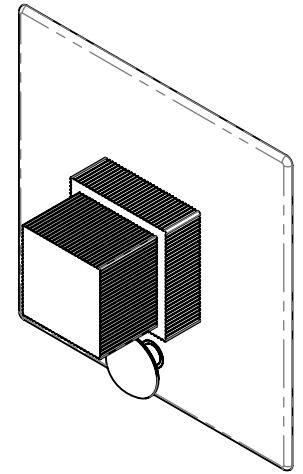
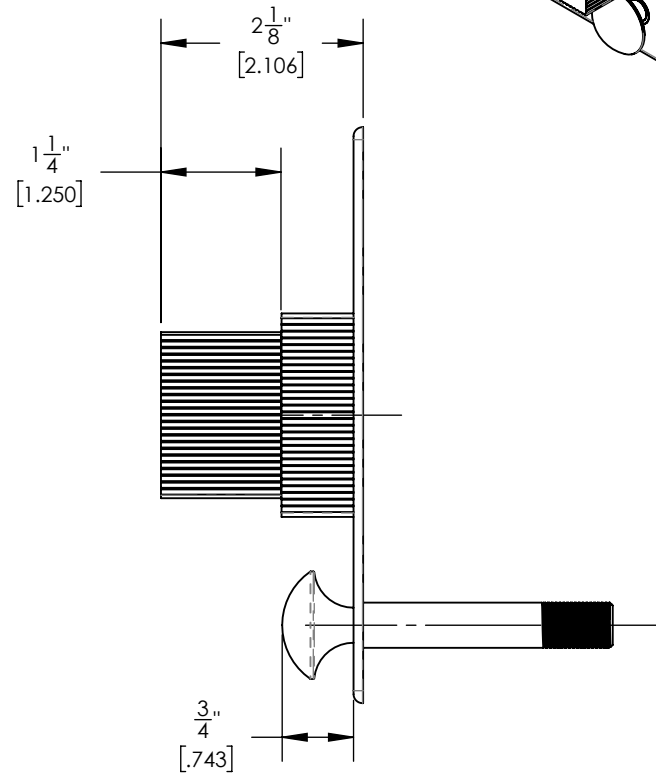
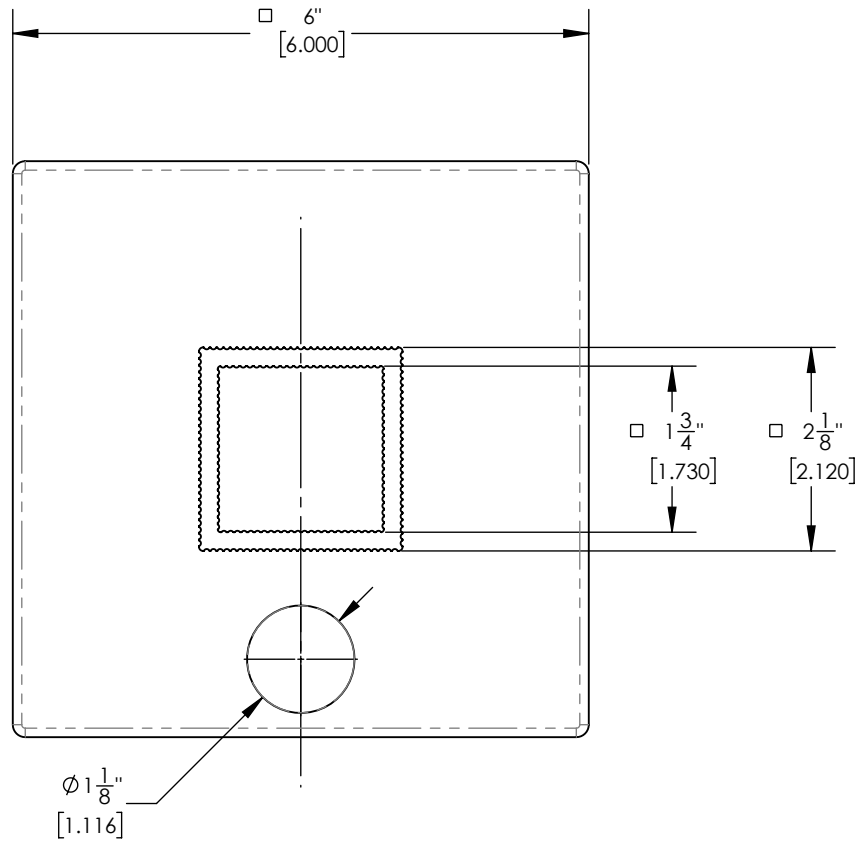
1261 LOGAN AVENUE
 COSTA MESA, CALIFORNIA 92626
 PHONE: 714.361.4800
 FAX: 714.617.3120

PHYLIRICH[®]
 Defining Luxury Since 1959

PROPRIETARY AND CONFIDENTIAL
 THE INFORMATION CONTAINED IN THIS DRAWING IS THE SOLE PROPERTY OF PHYLIRICH. ANY REPRODUCTION IN PART OR AS A WHOLE WITHOUT THE WRITTEN PERMISSION OF PHYLIRICH IS PROHIBITED.
DO NOT SCALE DRAWING

PB PLATE W/ DIVERTER, CUBE HANDLE, STRIA

SIZE A	ASM/PRT NO. 4-121/00	REV A
SCALE: 1:2.75	WEIGHT: lbs.	SHEET 1 OF 2



1261 LOGAN AVENUE
COSTA MESA, CALIFORNIA 92626
PHONE: 714.361.4800
FAX: 714.617.3120

PHYLIRICH[®]
Defining Luxury Since 1959

PROPRIETARY AND CONFIDENTIAL
THE INFORMATION CONTAINED IN THIS DRAWING
IS THE SOLE PROPERTY OF PHYLIRICH. ANY
REPRODUCTION IN PART OR AS A WHOLE
WITHOUT THE WRITTEN PERMISSION OF PHYLIRICH
IS PROHIBITED.
DO NOT SCALE DRAWING

PB PLATE W/ DIVERTER, CUBE HANDLE,
STRIA

SIZE A	ASM/PRT NO. 4-121/00	REV A
SCALE: 1:2	WEIGHT: lbs.	SHEET 2 OF 2