

NOTE(S):
 1. PART NUMBER, "/00" DENOTES PART SHALL HAVE FINISH.

2. APPLY NSF COMPLIANT GREASE TO ANY O-RING, SEALING JOINTS, AND/OR PIVOTAL POINTS.

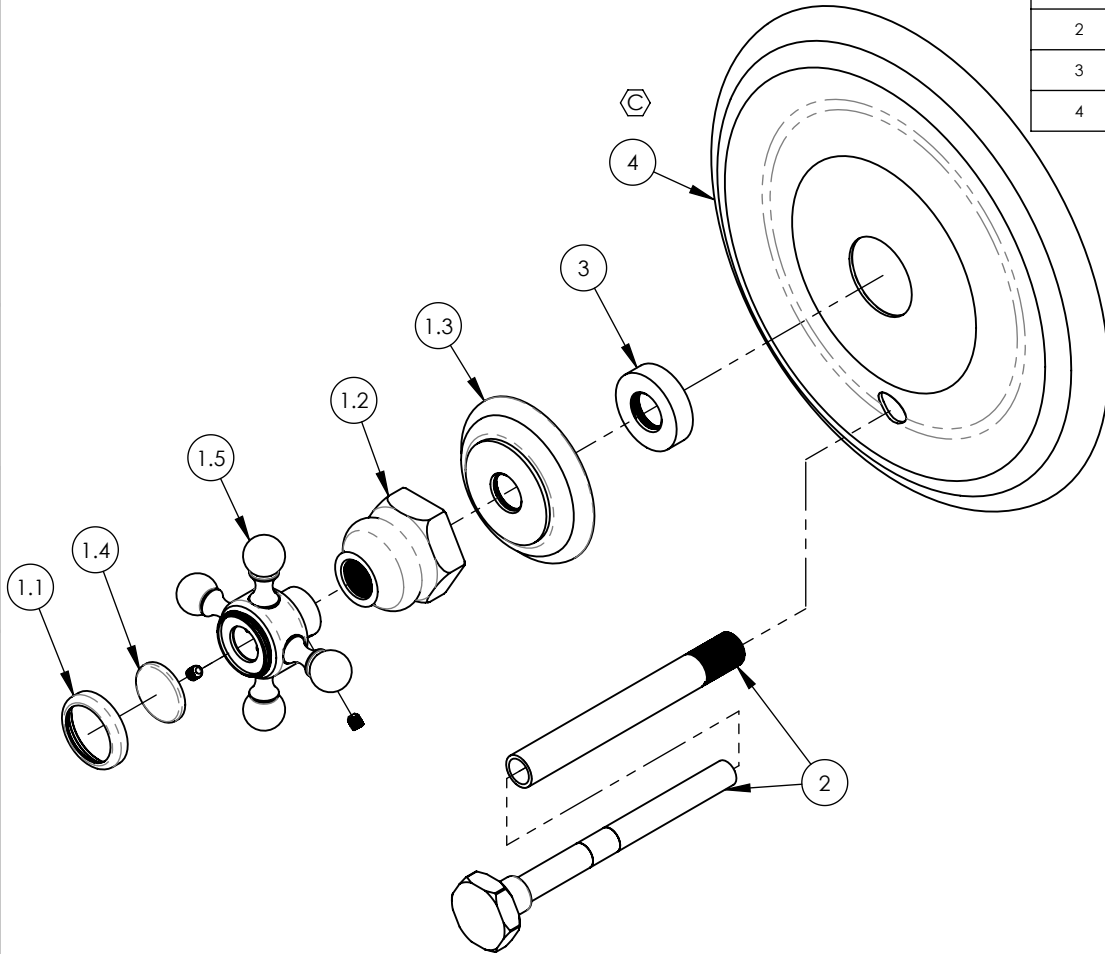
3. APPLY NSF COMPLIANT LOCTITE TO THREADED AREA.

4. APPLY NSF COMPLIANT REMOVABLE (BLUE) LOCTITE TO THREADED AREA.

5. SILVER SOLDER JOINTS SHALL BE FULLY WETTED VIA CAPILLARY ACTION AND COMPLETELY NON-POROUS.



ITEM NO.	PART NUMBER	DESCRIPTION	QTY.
1	3-142B/00	CROSS HANDLE, WALL/SHOWER, 500 SERIES	1
1.1	10538/00	CAP RING FOR 500 SERIES BUTTON	1
1.2	10621/00	BASE HUB NUT	1
1.3	10618/00	ESCUTCHEON, TRADITIONAL 500	1
1.4	11097	PLASTIC BUTTON, BLANK	1
1.5	2-180/00	SUB ASSY. CROSS HANDLE HUB	1
2	3-322/00	DIVERTER EXTENSION FOR PB TUB & SHOWER SET, HEX	1
3	11087	SLEEVE FOR PB-THERM PLATE	1
4	P17011/00	TRIM PLATE, PRESSURE BALANCE, SMOOTH, DOUBLE HOLE	1



D3	C	UPDATE TRIM PLATE	4/22/2021	AMM
ZONE	REV.	DESCRIPTION	DATE	APPROVED
REVISIONS				

1261 LOGAN AVENUE
 COSTA MESA, CALIFORNIA 92626
 PHONE: 714.361.4800
 FAX: 714.617.3120

PHYLIRICH[®]
 Defining Luxury Since 1959

PROPRIETARY AND CONFIDENTIAL

THE INFORMATION CONTAINED IN THIS DRAWING IS THE SOLE PROPERTY OF PHYLIRICH. ANY REPRODUCTION IN PART OR AS A WHOLE WITHOUT THE WRITTEN PERMISSION OF PHYLIRICH IS PROHIBITED.

500-26/00	-	INTERPRET GEOMETRIC DIMENSIONING & TOLERANCING IN ACCORDANCE WITH ASME Y14.5-2009 & ASME Y14.41-2003 STANDARDS, UNLESS OTHERWISE SPECIFIED. DIMENSIONS ARE IN INCHES. TOLERANCES ARE:
4-151/00	-	
161-26/00	-	
NEXT ASSY	USED ON	FRACTIONS ±1/16"
APPLICATION		DECIMALS X.X: ±.1 X.XX: ±.01 X.XXX: ±.005
MATERIAL		ANGULAR ±2°
FINISH	DRAWN	NAME
	CA	DATE
	12/20/2013	
DO NOT SCALE DRAWING		CHECKED

SHOWER TRIM PLATE, PB, DIVERTED, CROSS, HEX TRAD.

SIZE	ASM/PRT NO.	REV
A	4-095/00	C
SCALE: 1:2.5	WEIGHT: lbs.	SHEET 1 OF 2

5

4

3

2

1

E

E

D

D

C

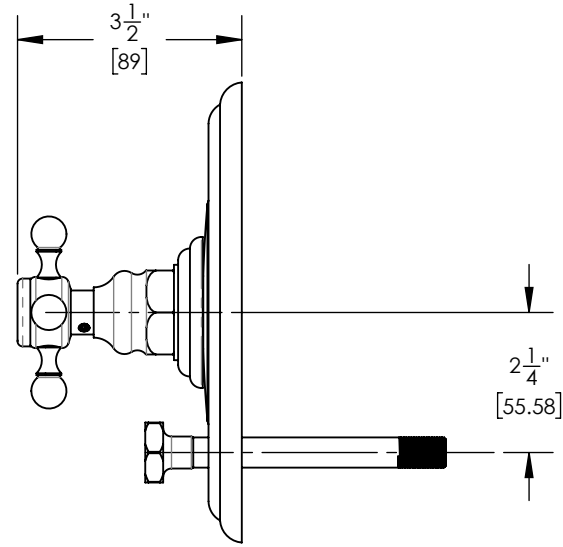
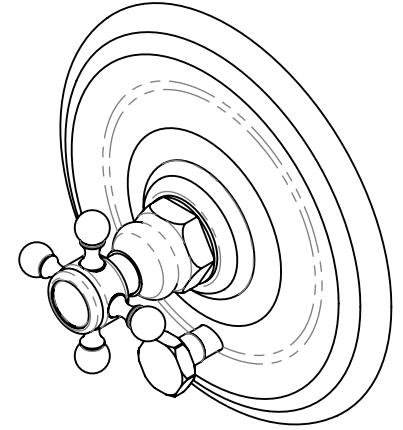
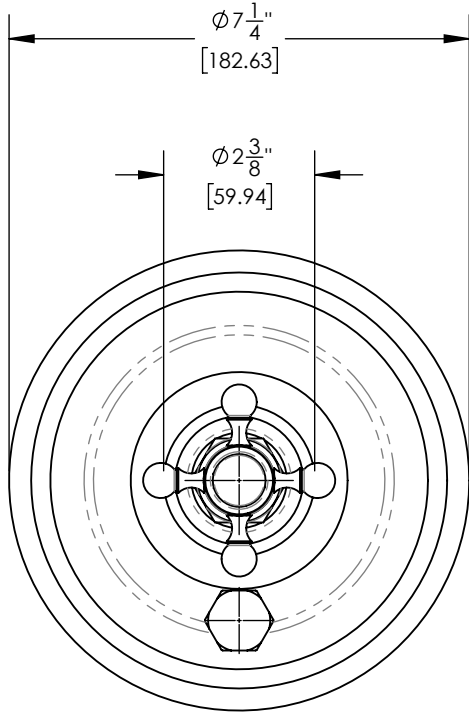
C

B

B

A

A



1261 LOGAN AVENUE
COSTA MESA, CALIFORNIA 92626
PHONE: 714.361.4800
FAX: 714.617.3120

PHYLIRICH[®]
Defining Luxury Since 1959

PROPRIETARY AND CONFIDENTIAL
THE INFORMATION CONTAINED IN THIS DRAWING IS THE SOLE PROPERTY OF PHYLIRICH. ANY REPRODUCTION IN PART OR AS A WHOLE WITHOUT THE WRITTEN PERMISSION OF PHYLIRICH IS PROHIBITED.
DO NOT SCALE DRAWING

SHOWER TRIM PLATE, PB, DIVERTED, CROSS, HEX TRAD.

SIZE A	ASM/PRT NO. 4-095/00	REV C
SCALE: 1:3	WEIGHT: lbs.	SHEET 2 OF 2

5

4

3

2

1