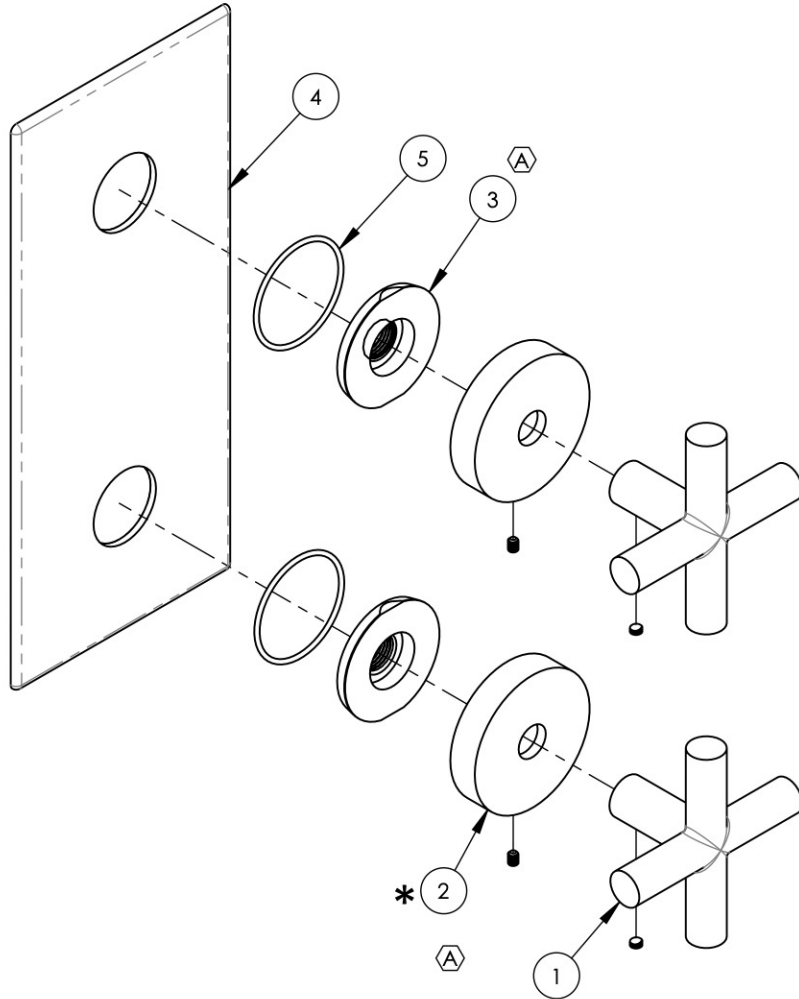


NOTE(S):

1. FOR DEEPER ESCUTCHEON:

- A. 3-353/00
- B. 92401



ITEM NO.	PART NUMBER	DESCRIPTION	QTY.
1	3-580/00	HANDLE CROSS W/ SET SCREW, TRANSITION	2
* 2	3-590/00	ESCUTCHEON W/ SET SCREW, TRANSITION	2
3	11003	SLEEVE MOUNT, WALL MT WIDESPREAD	2
4	11204/00	PLATE, TWO HANDLE FLAT RADII EDGE	1
5	90029	O-RING, 1-5/8"ID X 1-3/4"OD X 1/16"THK, AS-568-029	2

ZONE	REV.	DESCRIPTION	DATE	APPROVED
B3, D3, E5	A	UPDATE SLEEVE MOUNT & ESCUTCHEON HUBS, ADD NOTES	3/13/2020	AMM
REVISIONS				

1261 LOGAN AVENUE
COSTA MESA, CALIFORNIA 92626
PHONE: 714.361.4800
FAX: 714.617.3120

PHYLIRICH[®]
Defining Luxury Since 1959

PROPRIETARY AND CONFIDENTIAL
THE INFORMATION CONTAINED IN THIS DRAWING IS THE SOLE PROPERTY OF PHYLIRICH. ANY REPRODUCTION IN PART OR AS A WHOLE WITHOUT THE WRITTEN PERMISSION OF PHYLIRICH IS PROHIBITED.

-	-	INTERPRET GEOMETRIC DIMENSIONING & TOLERANCING IN ACCORDANCE WITH ASME Y14.5-2009 & ASME Y14.41-2003 STANDARDS, UNLESS OTHERWISE SPECIFIED. DIMENSIONS ARE IN INCHES. TOLERANCES ARE:		
NEXT ASSY	USED ON	FRACTIONS ±1/16"	DECIMALS X.X: ±.1 X.XX: ±.01 X.XXX: ±.005	ANGULAR ±2°
APPLICATION		MATERIAL	NAME	DATE
FINISH		DRAWN	AMM	12/5/2019
DO NOT SCALE DRAWING		CHECKED		

THERM, SHOWER TRIM, TWO HANDLE - CROSS, TRANSITION

SIZE	ASM/PRT NO.	REV
A	4-012/00	A
SCALE: 1:2.5	WEIGHT: lbs.	SHEET 1 OF 2