

5

4

3

2

1

NOTE(S):

1. PART NUMBER, "/00" DENOTES PART SHALL HAVE FINISH.

2. APPLY NSF COMPLIANT GREASE TO ANY O-RING, SEALING JOINTS, AND/OR PIVOTAL POINTS.

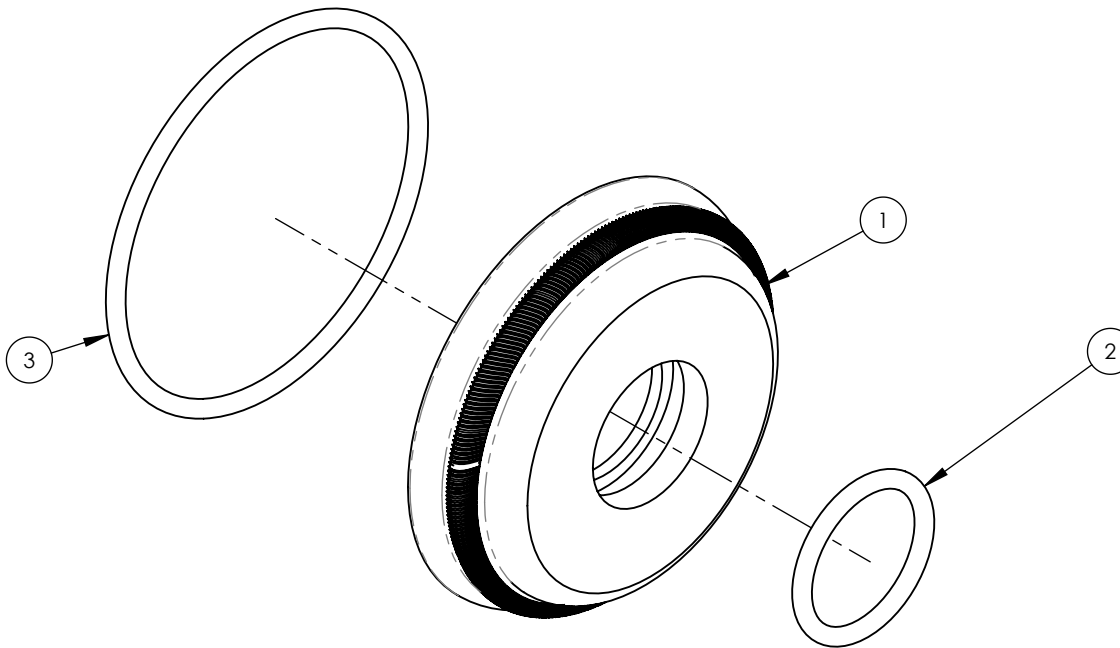
3. APPLY NSF COMPLIANT LOCTITE TO THREADED AREA.

4. APPLY NSF COMPLIANT REMOVABLE (BLUE) LOCTITE TO THREADED AREA.

5. SILVER SOLDER JOINTS SHALL BE FULLY WETTED VIA CAPILLARY ACTION AND COMPLETELY NON-POROUS.



ITEM NO.	PART NUMBER	DESCRIPTION	QTY.
1	11121/00	SHOWER FLANGE, COINED SERIES	1
2	90117	O-RING, 7/8"ID X 3/32"THK., AS-568-117	1
3	90138	O-RING, 2 1/8"ID X 3/32"THK., AS-568-138	1



ZONE	REV.	DESCRIPTION	DATE	APPROVED
REVISIONS				

1261 LOGAN AVENUE  
COSTA MESA, CALIFORNIA 92626  
PHONE: 714.361.4800  
FAX: 714.617.3120

**PHYLIRICH**<sup>®</sup>  
Defining Luxury Since 1959

**PROPRIETARY AND CONFIDENTIAL**

THE INFORMATION CONTAINED IN THIS DRAWING IS THE SOLE PROPERTY OF PHYLIRICH. ANY REPRODUCTION IN PART OR AS A WHOLE WITHOUT THE WRITTEN PERMISSION OF PHYLIRICH IS PROHIBITED.

-	-	INTERPRET GEOMETRIC DIMENSIONING & TOLERANCING IN ACCORDANCE WITH ASME Y14.5-2009 & ASME Y14.41-2003 STANDARDS, UNLESS OTHERWISE SPECIFIED. DIMENSIONS ARE IN INCHES. TOLERANCES ARE:
-	-	
-	P16008/00	
NEXT ASSY	USED ON	<b>FRACTIONS</b> ±1/16"
APPLICATION		<b>DECIMALS</b> X.X: ±.1 X.XX: ±.01 X.XXX: ±.005
MATERIAL		<b>ANGULAR</b> ±2°
FINISH	DRAWN	NAME DATE
	CHECKED	AMM 3/19/2021
<b>DO NOT SCALE DRAWING</b>		

SHOWER FLANGE, COINED

SIZE	ASM/PRT NO.	REV
<b>A</b>	3-718/00	

SCALE: 1:1      WEIGHT: lbs.      SHEET 1 OF 2

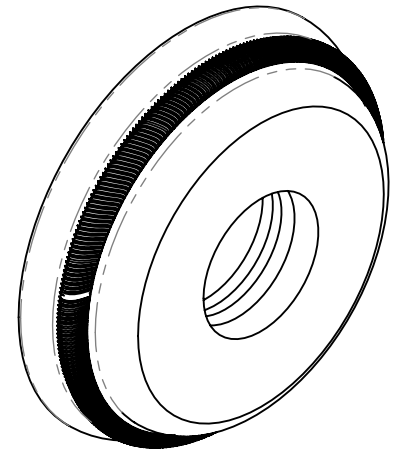
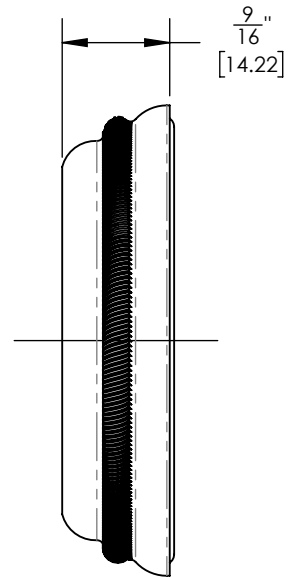
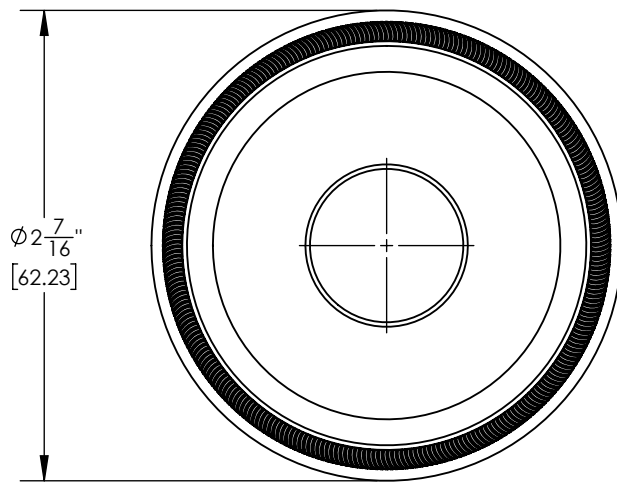
5

4

3

2

1



1261 LOGAN AVENUE  
COSTA MESA, CALIFORNIA 92626  
PHONE: 714.361.4800  
FAX: 714.617.3120

**PHYLIRICH**<sup>®</sup>  
Defining Luxury Since 1959

**PROPRIETARY AND CONFIDENTIAL**  
THE INFORMATION CONTAINED IN THIS DRAWING IS THE SOLE PROPERTY OF PHYLIRICH. ANY REPRODUCTION IN PART OR AS A WHOLE WITHOUT THE WRITTEN PERMISSION OF PHYLIRICH IS PROHIBITED.  
**DO NOT SCALE DRAWING**

SHOWER FLANGE, COINED

SIZE <b>A</b>	ASM/PRT NO. 3-718/00	REV
SCALE: 1:1	WEIGHT: lbs.	SHEET 2 OF 2