

5

4

3

2

1

NOTE(S):
1. PART NUMBER, "/00" DENOTES PART SHALL HAVE FINISH.

2. APPLY NSF COMPLIANT GREASE TO ANY O-RING, SEALING JOINTS, AND/OR PIVOTAL POINTS.



3. APPLY NSF COMPLIANT LOCTITE TO THREADED AREA.



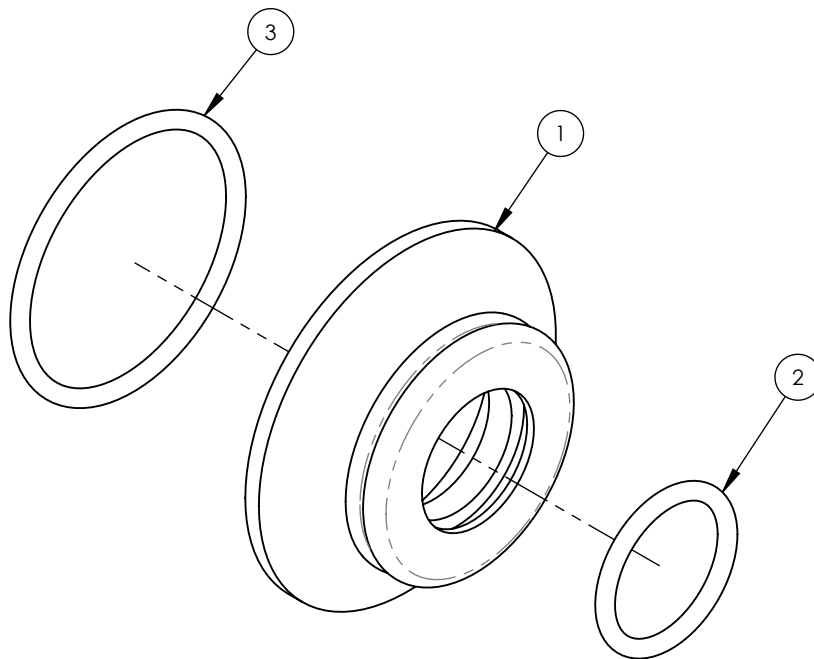
4. APPLY NSF COMPLIANT REMOVABLE (BLUE) LOCTITE TO THREADED AREA.



5. SILVER SOLDER JOINTS SHALL BE FULLY WETTED VIA CAPILLARY ACTION AND COMPLETELY NON-POROUS.



ITEM NO.	PART NUMBER	DESCRIPTION	QTY.
1	11039/00	SHOWER FLANGE	1
2	90117	O-RING, 7/8"ID X 33/32"THK., AS-568-117	1
3	90128	O-RING, 1-1/2ID X 1-11/16OD X 3/32THK, AS-568-128	1



ZONE	REV.	DESCRIPTION	DATE	APPROVED
REVISIONS				

1261 LOGAN AVENUE
COSTA MESA, CALIFORNIA 92626
PHONE: 714.361.4800
FAX: 714.617.3120

PHYLIRICH[®]
Defining Luxury Since 1959

PROPRIETARY AND CONFIDENTIAL

THE INFORMATION CONTAINED IN THIS DRAWING IS THE SOLE PROPERTY OF PHYLIRICH. ANY REPRODUCTION IN PART OR AS A WHOLE WITHOUT THE WRITTEN PERMISSION OF PHYLIRICH IS PROHIBITED.

-	-	INTERPRET GEOMETRIC DIMENSIONING & TOLERANCING IN ACCORDANCE WITH ASME Y14.5-2009 & ASME Y14.41-2003 STANDARDS, UNLESS OTHERWISE SPECIFIED. DIMENSIONS ARE IN INCHES. TOLERANCES ARE:
-	-	
-	-	
NEXT ASSY	USED ON	FRACTIONS ±1/16"
APPLICATION		DECIMALS X.X: ±.1 X.XX: ±.01 X.XXX: ±.005
MATERIAL		ANGULAR ±2°
FINISH	DRAWN	NAME DATE
	CHECKED	LLO 3/22/2016
DO NOT SCALE DRAWING		
	GRE	

SHOWER FLANGE, HEX MODERN

SIZE	ASM/PRT NO.	REV
A	3-449/00	-

SCALE: 1:1 WEIGHT: lbs. SHEET 1 OF 2

5

4

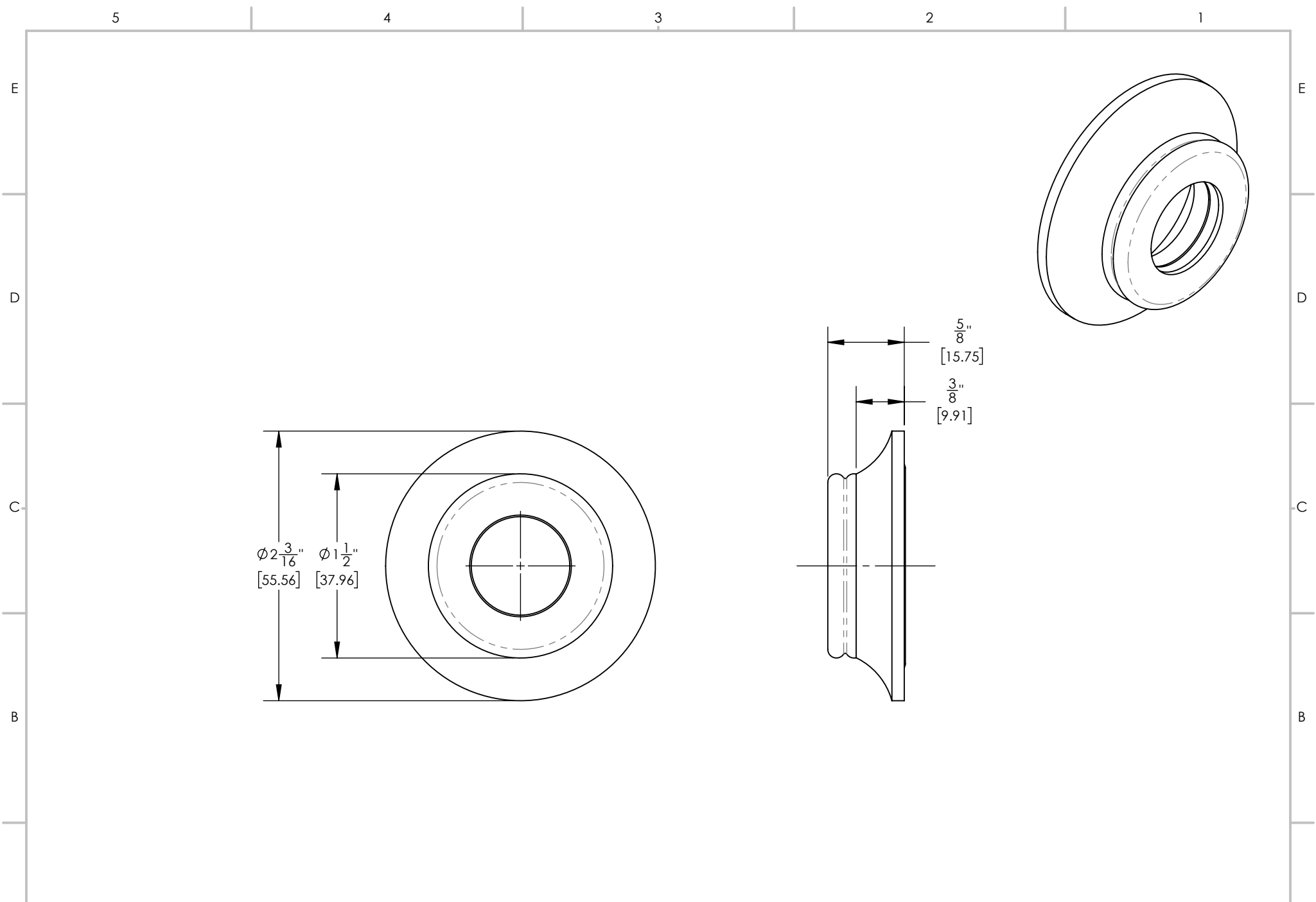
3

2

1

A

A



1261 LOGAN AVENUE
 COSTA MESA, CALIFORNIA 92626
 PHONE: 714.361.4800
 FAX: 714.617.3120

PHYLIRICH[®]
 Defining Luxury Since 1959

PROPRIETARY AND CONFIDENTIAL
 THE INFORMATION CONTAINED IN THIS DRAWING
 IS THE SOLE PROPERTY OF PHYLIRICH. ANY
 REPRODUCTION IN PART OR AS A WHOLE
 WITHOUT THE WRITTEN PERMISSION OF PHYLIRICH
 IS PROHIBITED.
DO NOT SCALE DRAWING

SHOWER FLANGE, HEX MODERN

SIZE A	ASM/PRT NO. 3-449/00	REV -
SCALE: 1:1	WEIGHT: lbs.	SHEET 2 OF 2

A

A