

5

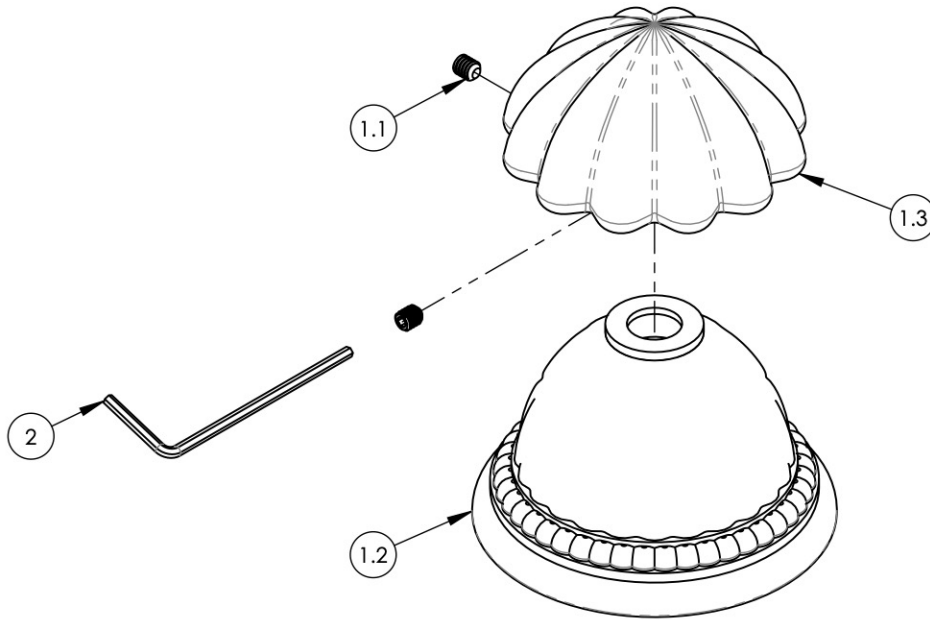
4

3

2

1

ITEM NO.	PART NUMBER	DESCRIPTION	QTY.
1	3-226/00	ROUND HANDLE, GEORGIAN & BARCELONA	1
1.1	92008	SET SCREW, CUP POINT 8-32, 3/16" L.	2
1.2	P02013/00	K141 COVER PLATE	1
1.3	P01015/00	K110 HANDLE	1
2	P39001	HEX KEY 5/64, FOR 8-32 SET SCREW	1



ZONE	REV.	DESCRIPTION	DATE	APPROVED
REVISIONS				

1261 LOGAN AVENUE
COSTA MESA, CALIFORNIA 92626
PHONE: 714.361.4800
FAX: 714.617.3120

PHYLIRICH®
Defining Luxury Since 1959

PROPRIETARY AND CONFIDENTIAL

THE INFORMATION CONTAINED IN THIS DRAWING IS THE SOLE PROPERTY OF PHYLIRICH. ANY REPRODUCTION IN PART OR AS A WHOLE WITHOUT THE WRITTEN PERMISSION OF PHYLIRICH IS PROHIBITED.

-	-	INTERPRET GEOMETRIC DIMENSIONING & TOLERANCING IN ACCORDANCE WITH ASME Y14.5-2009 & ASME Y14.41-2003 STANDARDS, UNLESS OTHERWISE SPECIFIED. DIMENSIONS ARE IN INCHES. TOLERANCES ARE:		
NEXT ASSY	USED ON	FRACTIONS ±1/16"	DECIMALS X.X: ±.1 X.XX: ±.01 X.XXX: ±.005	ANGULAR ±2°
APPLICATION		MATERIAL	NAME	DATE
FINISH		DRAWN	AMM	7/14/2020
DO NOT SCALE DRAWING		CHECKED	AMM	7/14/2020

**VOLUME CONTROL/ DIVERTER TRIM,
ROUND HANDLE, GEORGIAN &
BARCELONA**

SIZE	ASM/PRT NO.	REV
A	2PV361A/00	-

SCALE: 1:1.5 WEIGHT: lbs. SHEET 1 OF 2

5

4

3

2

1