

NOTE(S):
 1. PART NUMBER, "/00" DENOTES PART SHALL HAVE FINISH.

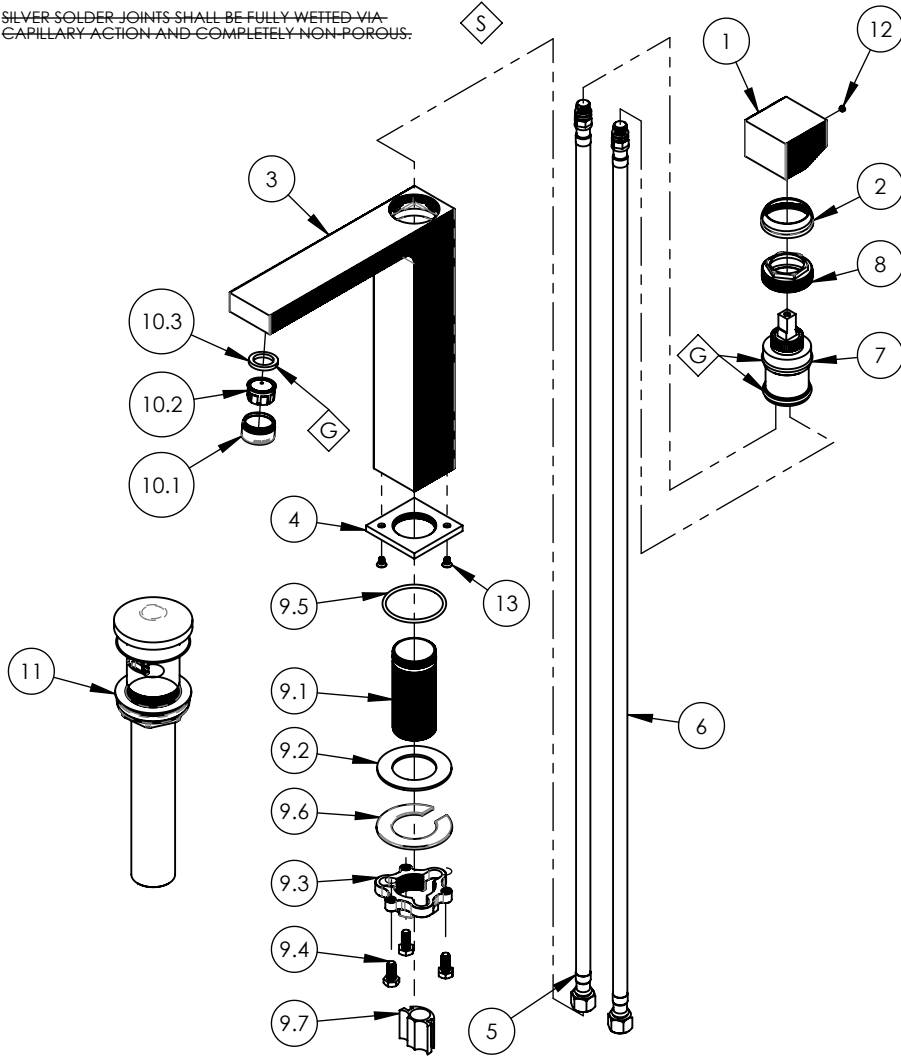
2. APPLY NSF COMPLIANT GREASE TO ANY O-RING, SEALING JOINTS, AND/OR PIVOTAL POINTS.

3. APPLY NSF COMPLIANT LOCTITE TO THREADED AREA.

4. APPLY NSF COMPLIANT REMOVABLE (BLUE) LOCTITE TO THREADED AREA.

5. SILVER SOLDER JOINTS SHALL BE FULLY WETTED VIA CAPILLARY ACTION AND COMPLETELY NON-POROUS.

G
L
B
S



ITEM NO.	PART NUMBER	DESCRIPTION	QTY.
1	11043/00	HANDLE, CUBE, SINGLE LEVER LAV, EDGE/STRIA	1
2	12200/00	COVER CAP, SINGLE LEVER LAV, MIX/STRIA	1
3	12206/00	SPOUT BODY, TALL, SINGLE LEVER LAV, STRIA	1
4	12207/00	ESCUTCHEON, SINGLE LEVER LAV, MIX/STRIA	1
5	12212	HOSE, HOT, SINGLE LEVER LAV	1
6	12213	HOSE, COLD, SINGLE LEVER LAV	1
7	12216	CARTRIDGE, SINGLE LEVER LAV	1
8	12217	CARTRIDGE LOCKNUT, SINGLE LEVER LAV, MIX/STRIA	1
9	2-403	ROUGH IN HARDWARE, SPOUT, SINGLE LEVER LAV, MIX/STRIA	1
9.1	12209	MOUNTING TUBE, SINGLE LEVER LAV	1
9.2	90595	RUBBER LOCKNUT WASHER, SINGLE LEVER LAV	1
9.3	12211	MOUNTING BRACKET, SINGLE LEVER LAV	1
9.4	92503	18-8 SS HEX HEAD PHILLIPS SCREW, M6 X 1, 14MM L	3
9.5	90596	O-RING, METRIC, 2.4 X 41.6 MM, SINGLE LEVER LAV	1
9.6	92501	HORSESHOE WASHER, SINGLE LEVER LAV	1
9.7	12210	ALIGNER BUSHING, MOUNTING TUBE, SINGLE LEVER LAV	1
10	3-059/00	AERATOR, 15/16" MALE HOUSING	1
10.1	30032/00	AERATOR HOUSING 15/16" MALE HOUSING	1
10.2	11426	AERATOR DROP-IN INSERT 1.2 GPM, NEOPERL # 40.2060.00000	1
10.3	30030	RUBBER SEAL WASHER AERATOR, NEOPERL PRT # BW.7110.1	1
11	3-545/00	BRASS PUSH TYPE DRAIN, W/ OVERFLOW & SMALL PLUG	1
12	92248	SET SCREW, CUP POINT 8-32 UNC, 1/8" L.	1
13	92502	18-8 SS PHILLIPS FLAT HEAD SCREW, M4 X 0.7, 6MM L	2

ZONE	REV.	DESCRIPTION	DATE	APPROVED
REVISIONS				

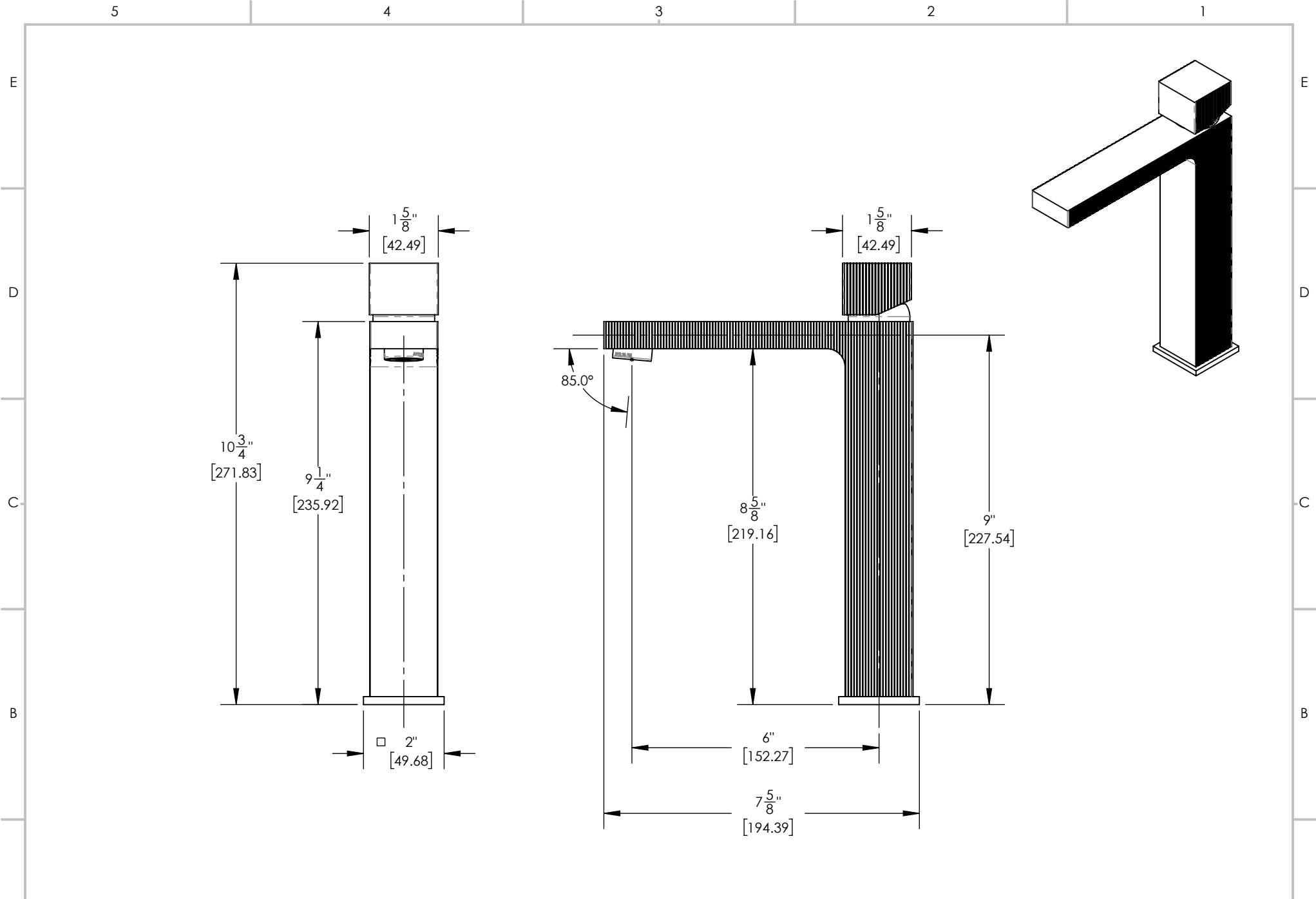
1261 LOGAN AVENUE
 COSTA MESA, CALIFORNIA 92626
 PHONE: 714.361.4800
 FAX: 714.617.3120

PHYLIRICH[®]
 Defining Luxury Since 1959

PROPRIETARY AND CONFIDENTIAL
 THE INFORMATION CONTAINED IN THIS DRAWING IS THE SOLE PROPERTY OF PHYLIRICH. ANY REPRODUCTION IN PART OR AS A WHOLE WITHOUT THE WRITTEN PERMISSION OF PHYLIRICH IS PROHIBITED.
DO NOT SCALE DRAWING

SINGLE HOLE LAV SET, TALL SPOUT W/
 CUBE, STRIA

SIZE	ASM/PRT NO.	REV
A	291T-08/00	
SCALE: 1:5.5	WEIGHT: lbs.	SHEET 1 OF 2



1261 LOGAN AVENUE
 COSTA MESA, CALIFORNIA 92626
 PHONE: 714.361.4800
 FAX: 714.617.3120

PHYLIRICH[®]
 Defining Luxury Since 1959

PROPRIETARY AND CONFIDENTIAL
 THE INFORMATION CONTAINED IN THIS DRAWING
 IS THE SOLE PROPERTY OF PHYLIRICH. ANY
 REPRODUCTION IN PART OR AS A WHOLE
 WITHOUT THE WRITTEN PERMISSION OF PHYLIRICH
 IS PROHIBITED.
DO NOT SCALE DRAWING

**SINGLE HOLE LAV SET, TALL SPOUT W/
 CUBE, STRIA**

SIZE A	ASM/PRT NO. 291T-08/00	REV
SCALE: 1:3	WEIGHT: lbs.	SHEET 2 OF 2