

NOTE(S):
 1. PART NUMBER, "/00" DENOTES PART SHALL HAVE FINISH.

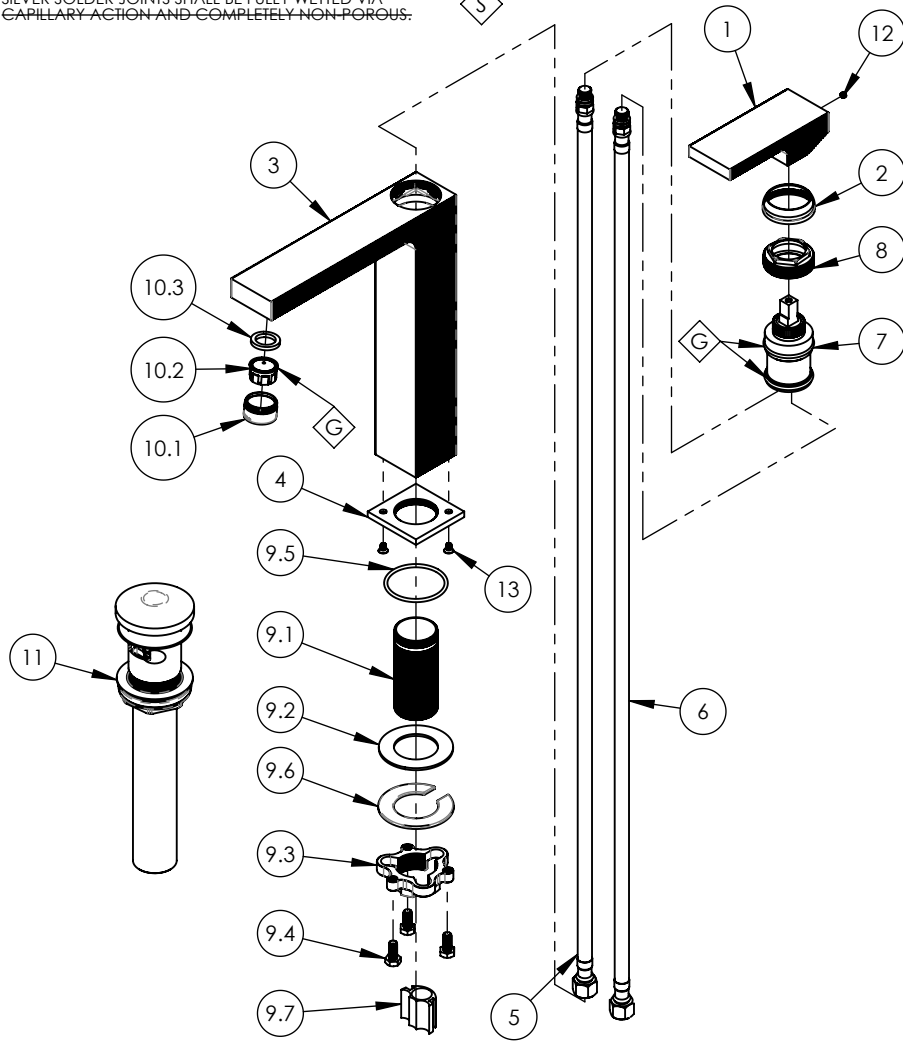
2. APPLY NSF COMPLIANT GREASE TO ANY O-RING, SEALING JOINTS, AND/OR PIVOTAL POINTS.

3. APPLY NSF COMPLIANT LOCTITE TO THREADED AREA.

4. APPLY NSF COMPLIANT REMOVABLE (BLUE) LOCTITE TO THREADED AREA.

5. SILVER SOLDER JOINTS SHALL BE FULLY WETTED VIA CAPILLARY ACTION AND COMPLETELY NON-POROUS.

G
L
B
S



| ITEM NO. | PART NUMBER | DESCRIPTION | QTY. |
|----------|-------------|---------------------------------------------------------|------|
| 1 | 11046/00 | HANDLE BLADE, SLL, STRIA/EDGE | 1 |
| 2 | 12200/00 | COVER CAP, SINGLE LEVER LAV, MIX/STRIA | 1 |
| 3 | 12206/00 | SPOUT BODY, TALL, SINGLE LEVER LAV, STRIA | 1 |
| 4 | 12207/00 | ESCUTCHEON, SINGLE LEVER LAV, MIX/STRIA | 1 |
| 5 | 12212 | HOSE, HOT, SINGLE LEVER LAV | 1 |
| 6 | 12213 | HOSE, COLD, SINGLE LEVER LAV | 1 |
| 7 | 12216 | CARTRIDGE, SINGLE LEVER LAV | 1 |
| 8 | 12217 | CARTRIDGE LOCKNUT, SINGLE LEVER LAV, MIX/STRIA | 1 |
| 9 | 2-403 | ROUGH IN HARDWARE, SPOUT, SINGLE LEVER LAV, MIX/STRIA | 1 |
| 9.1 | 12209 | MOUNTING TUBE, SINGLE LEVER LAV | 1 |
| 9.2 | 90595 | RUBBER LOCKNUT WASHER, SINGLE LEVER LAV | 1 |
| 9.3 | 12211 | MOUNTING BRACKET, SINGLE LEVER LAV | 1 |
| 9.4 | 92503 | 18-8 SS HEX HEAD PHILLIPS SCREW, M6 X 1, 14MM L | 3 |
| 9.5 | 90596 | O-RING, METRIC, 2.4 X 41.6 MM, SINGLE LEVER LAV | 1 |
| 9.6 | 92501 | HORSESHOE WASHER, SINGLE LEVER LAV | 1 |
| 9.7 | 12210 | ALIGNER BUSHING, MOUNTING TUBE, SINGLE LEVER LAV | 1 |
| 10 | 3-059/00 | AERATOR, 15/16" MALE HOUSING | 1 |
| 10.1 | 30032/00 | AERATOR HOUSING 15/16" MALE HOUSING | 1 |
| 10.2 | 11426 | AERATOR DROP-IN INSERT 1.2 GPM, NEOPERL # 40.2060.00000 | 1 |
| 10.3 | 30030 | RUBBER SEAL WASHER AERATOR, NEOPERL PRT # BW.7110.1 | 1 |
| 11 | 3-545/00 | BRASS PUSH TYPE DRAIN, W/ OVERFLOW & SMALL PLUG | 1 |
| 12 | 92248 | SET SCREW, CUP POINT 8-32 UNC, 1/8" L. | 1 |
| 13 | 92502 | 18-8 SS PHILLIPS FLAT HEAD SCREW, M4 X 0.7, 6MM L | 2 |

| ZONE | REV. | DESCRIPTION | DATE | APPROVED |
|-----------|------|-------------|------|----------|
| REVISIONS | | | | |

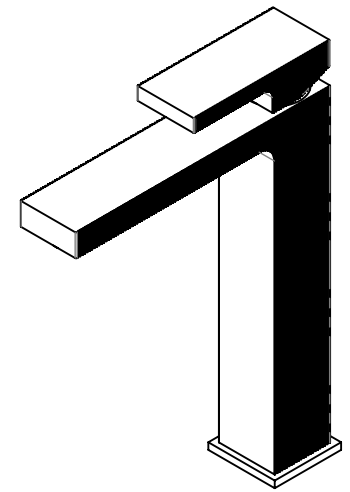
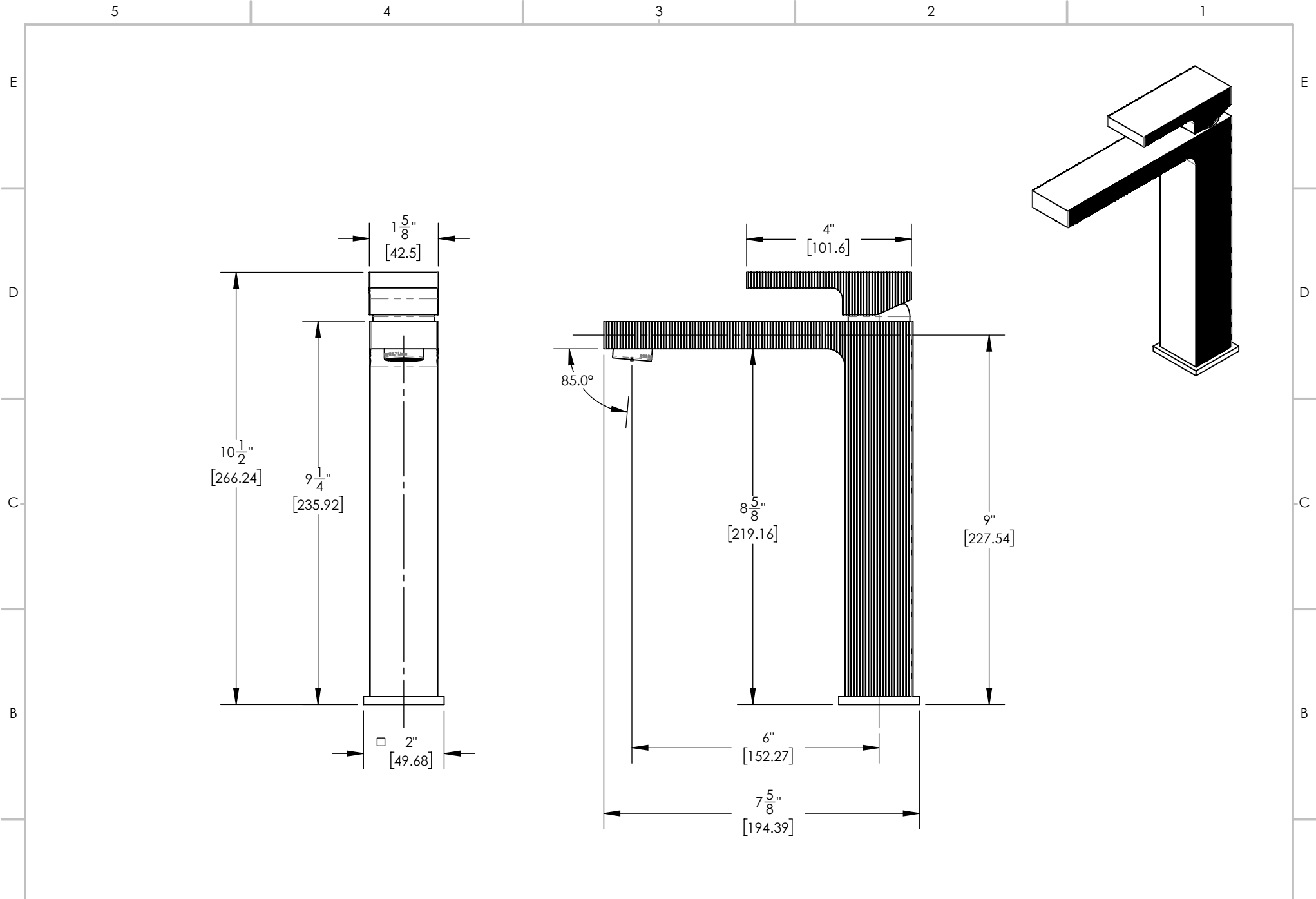
1261 LOGAN AVENUE
 COSTA MESA, CALIFORNIA 92626
 PHONE: 714.361.4800
 FAX: 714.617.3120

PHYL RICH[®]
 Defining Luxury Since 1959

PROPRIETARY AND CONFIDENTIAL
 THE INFORMATION CONTAINED IN THIS DRAWING IS THE SOLE PROPERTY OF PHYL RICH. ANY REPRODUCTION IN PART OR AS A WHOLE WITHOUT THE WRITTEN PERMISSION OF PHYL RICH IS PROHIBITED.
DO NOT SCALE DRAWING

SINGLE HOLE LAV SET, TALL SPOUT W/
 LEVER, STRIA

| SIZE | ASM/PRT NO. | REV |
|--------------|--------------|--------------|
| A | 291T-06/00 | |
| SCALE: 1:5.5 | WEIGHT: lbs. | SHEET 1 OF 2 |



1261 LOGAN AVENUE
COSTA MESA, CALIFORNIA 92626
PHONE: 714.361.4800
FAX: 714.617.3120

PHYLIRICH[®]
Defining Luxury Since 1959

PROPRIETARY AND CONFIDENTIAL
THE INFORMATION CONTAINED IN THIS DRAWING IS THE SOLE PROPERTY OF PHYLIRICH. ANY REPRODUCTION IN PART OR AS A WHOLE WITHOUT THE WRITTEN PERMISSION OF PHYLIRICH IS PROHIBITED.
DO NOT SCALE DRAWING

**SINGLE HOLE LAV SET, TALL SPOUT W/
LEVER, STRIA**

| | | |
|------------------|---------------------------|--------------|
| SIZE A | ASM/PRT NO. 291T-06/00 | REV |
| SCALE: 1:3 | WEIGHT: lbs. | SHEET 2 OF 2 |