

NOTE(S):

1. PART NUMBER, "/00" DENOTES PART SHALL HAVE FINISH.

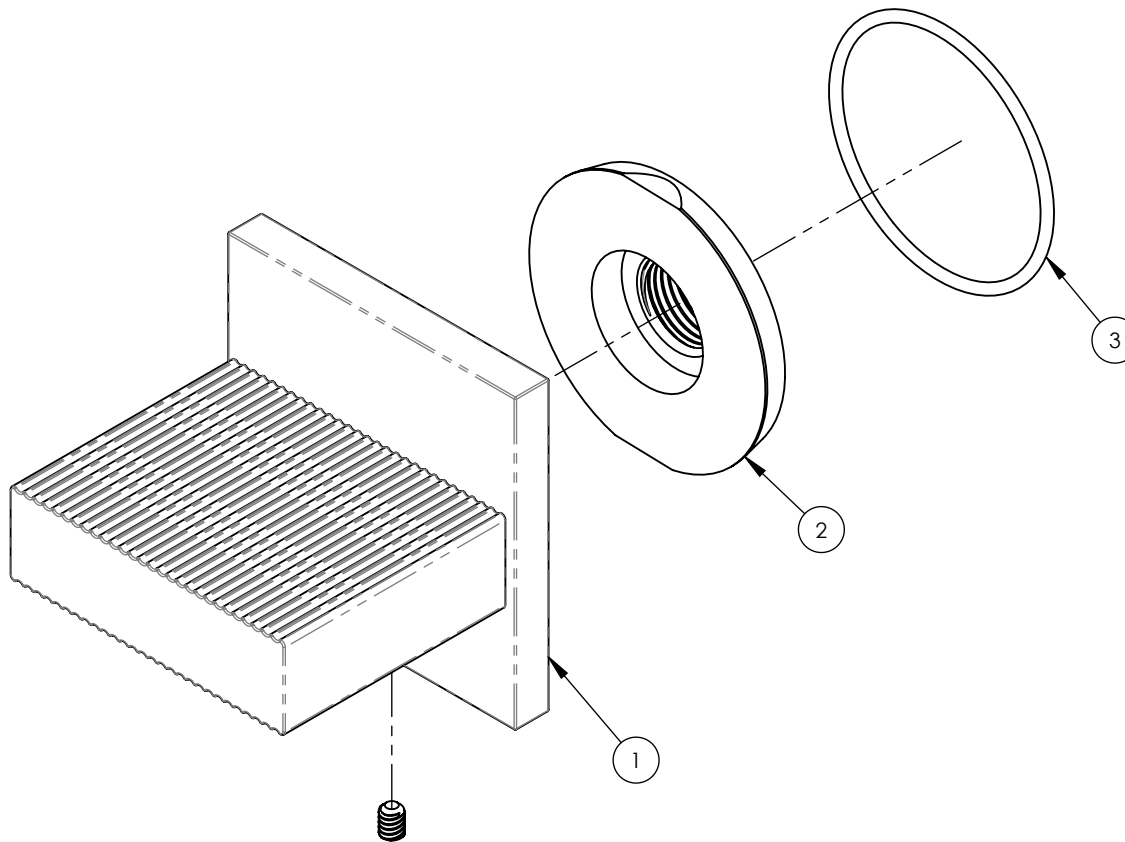
2. APPLY NSF-COMPLIANT GREASE TO ANY O-RING, SEALING JOINTS, AND/OR PIVOTAL POINTS: G

3. APPLY NSF-COMPLIANT LOCTITE TO THREADED AREA: L

4. APPLY NSF-COMPLIANT REMOVABLE (BLUE) LOCTITE TO THREADED AREA: B

5. SILVER SOLDER JOINTS SHALL BE FULLY WETTED VIA-CAPILLARY ACTION AND COMPLETELY NON-POROUS: S

| ITEM NO. | PART NUMBER | DESCRIPTION | QTY. |
|----------|-------------|--|------|
| 1 | 3-108/00 | ASSY, HANDLE RIBBED BLADE | 1 |
| 2 | 11003 | SLEEVE MOUNT, WALL MT WIDESPREAD | 1 |
| 3 | 90029 | O-RING, 1-5/8"ID X 1-3/4"OD X 1/16"THK, AS-568-029 | 1 |



| ZONE | REV. | DESCRIPTION | DATE | APPROVED |
|-----------|------|-------------|------|----------|
| REVISIONS | | | | |

1261 LOGAN AVENUE
COSTA MESA, CALIFORNIA 92626
PHONE: 714.361.4800
FAX: 714.617.3120

PHYLIRICH[®]
Defining Luxury Since 1959

PROPRIETARY AND CONFIDENTIAL
THE INFORMATION CONTAINED IN THIS DRAWING IS THE SOLE PROPERTY OF PHYLIRICH. ANY REPRODUCTION IN PART OR AS A WHOLE WITHOUT THE WRITTEN PERMISSION OF PHYLIRICH IS PROHIBITED.
DO NOT SCALE DRAWING

VOLUME CONTROL / DIVERTER TRIM,
BLADE HANDLE, STRIA

| | | |
|------------------|--------------------------|--------------|
| SIZE A | ASM/PRT NO. 291-35/00 | REV |
| SCALE: 1:1 | WEIGHT: lbs. | SHEET 1 OF 2 |

5

4

3

2

1

E

E

D

D

C

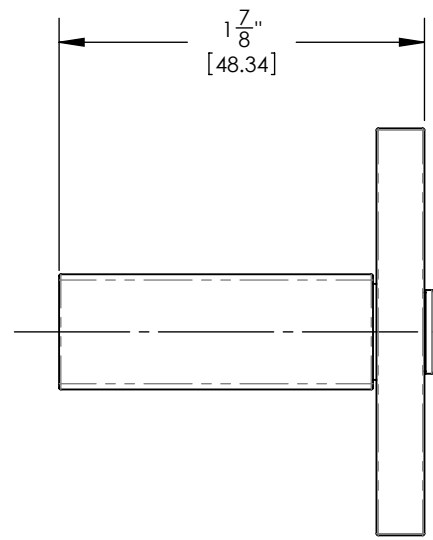
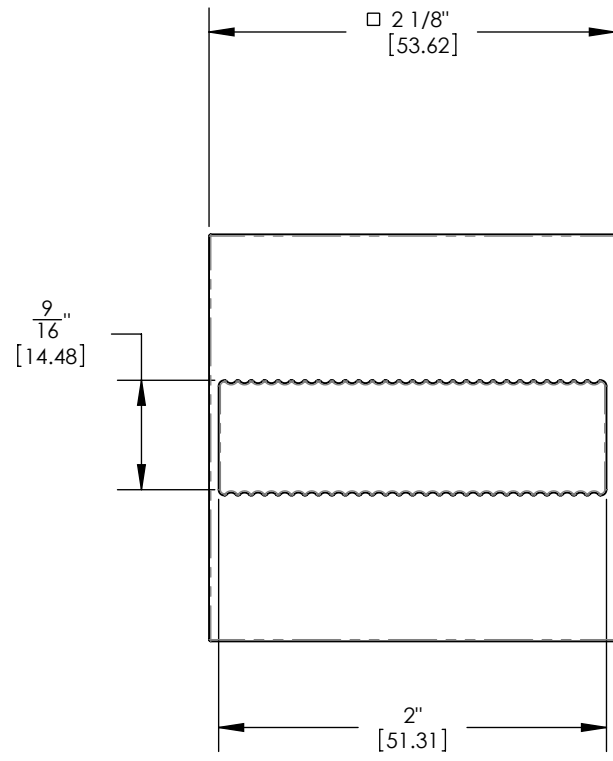
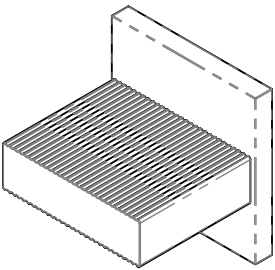
C

B

B

A

A



1261 LOGAN AVENUE
 COSTA MESA, CALIFORNIA 92626
 PHONE: 714.361.4800
 FAX: 714.617.3120

PHYLIRICH[®]
 Defining Luxury Since 1959

PROPRIETARY AND CONFIDENTIAL
 THE INFORMATION CONTAINED IN THIS DRAWING IS THE SOLE PROPERTY OF PHYLIRICH. ANY REPRODUCTION IN PART OR AS A WHOLE WITHOUT THE WRITTEN PERMISSION OF PHYLIRICH IS PROHIBITED.
DO NOT SCALE DRAWING

VOLUME CONTROL / DIVERTER TRIM,
 BLADE HANDLE, STRIA

| | | |
|------------------|--------------------------|--------------|
| SIZE A | ASM/PRT NO. 291-35/00 | REV |
| SCALE: 1:2 | WEIGHT: lbs. | SHEET 2 OF 2 |

5

4

3

2

1