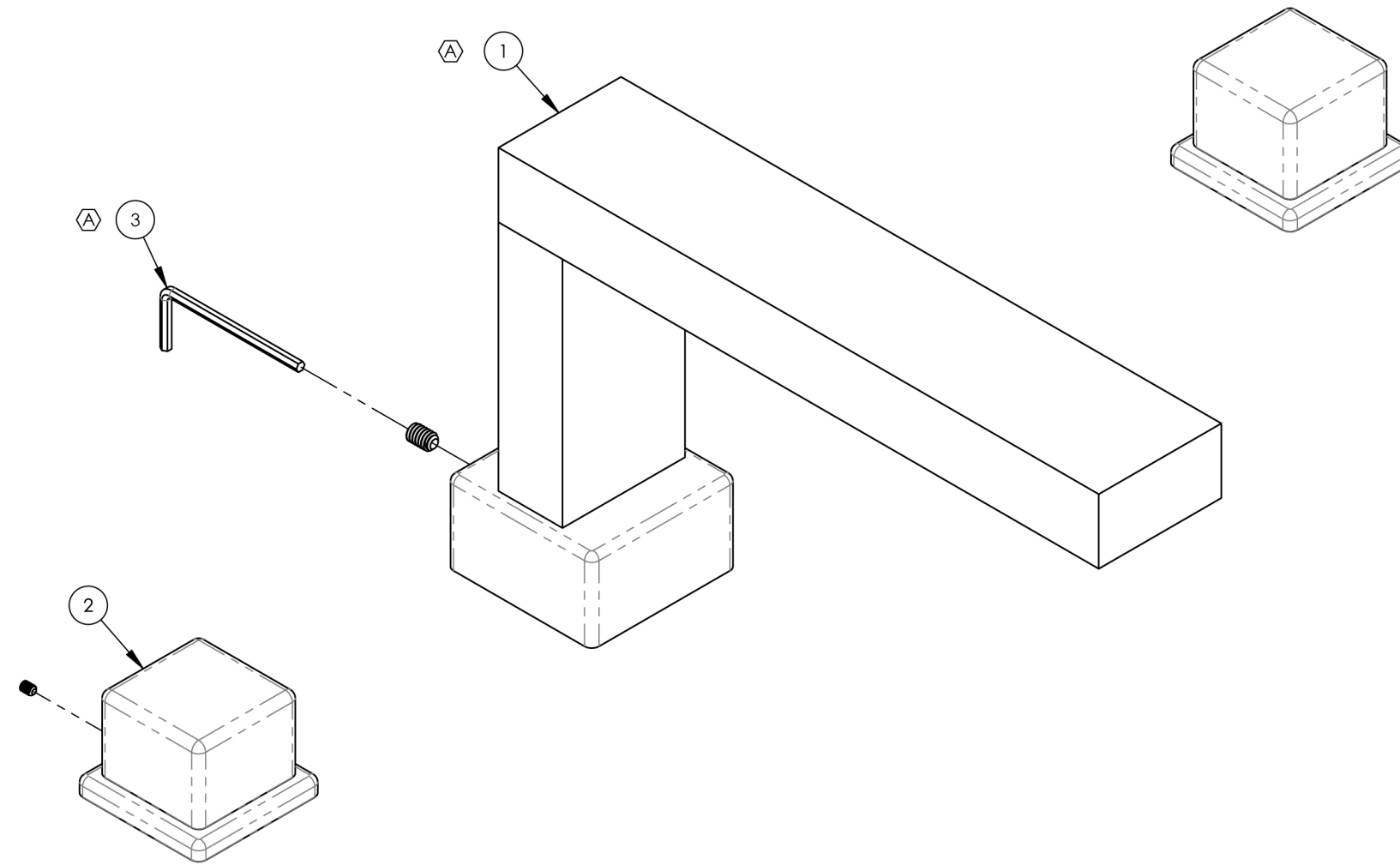


- NOTE(S):
1. PART NUMBER, "/00" DENOTES PART SHALL HAVE FINISH.
 2. APPLY NSF COMPLIANT GREASE TO ANY O-RING, SEALING JOINTS, AND/OR PIVOTAL POINTS. G
 3. APPLY NSF COMPLIANT LOCTITE TO THREADED AREA. L
 4. APPLY NSF COMPLIANT REMOVABLE (BLUE) LOCTITE TO THREADED AREA. B
 5. SILVER SOLDER JOINTS SHALL BE FULLY WETTED VIA CAPILLARY ACTION AND COMPLETELY NON-POROUS. S

ITEM NO.	PART NUMBER	DESCRIPTION	QTY.
1	3-099/00	DECK TUB SPOUT, SQUARE, ASSY	1
2	3-102/00	ASSY, HANDLE CUBE MIX	2
3	92216	HEX L-KEY 1/8" HEX x 2-5/16"L	1



ZONE	REV.	DESCRIPTION	DATE	APPROVED
	A	UPDATED DRAWING	5/31/2024	VA
ALL	A	REMOVE SLEEVE MOUNTS, UPDATE TEMPLATE/ DWG NAME, ADD HEX KEY	11/15/2019	AMM
REVISIONS				

1261 LOGAN AVENUE
COSTA MESA, CALIFORNIA 92626
PHONE: 714.361.4800
FAX: 714.617.3120

PHYLIRICH[®]
Defining Luxury Since 1959

PROPRIETARY AND CONFIDENTIAL
THE INFORMATION CONTAINED IN THIS DRAWING IS THE SOLE PROPERTY OF PHYLIRICH. ANY REPRODUCTION IN PART OR AS A WHOLE WITHOUT THE WRITTEN PERMISSION OF PHYLIRICH IS PROHIBITED.
DO NOT SCALE DRAWING

DECK TUB SET, CUBE, MIX

SIZE	ASM/PRT NO.	REV
B	290-43/00	A
SCALE: 1:2	WEIGHT: lbs.	SHEET 1 OF 2

