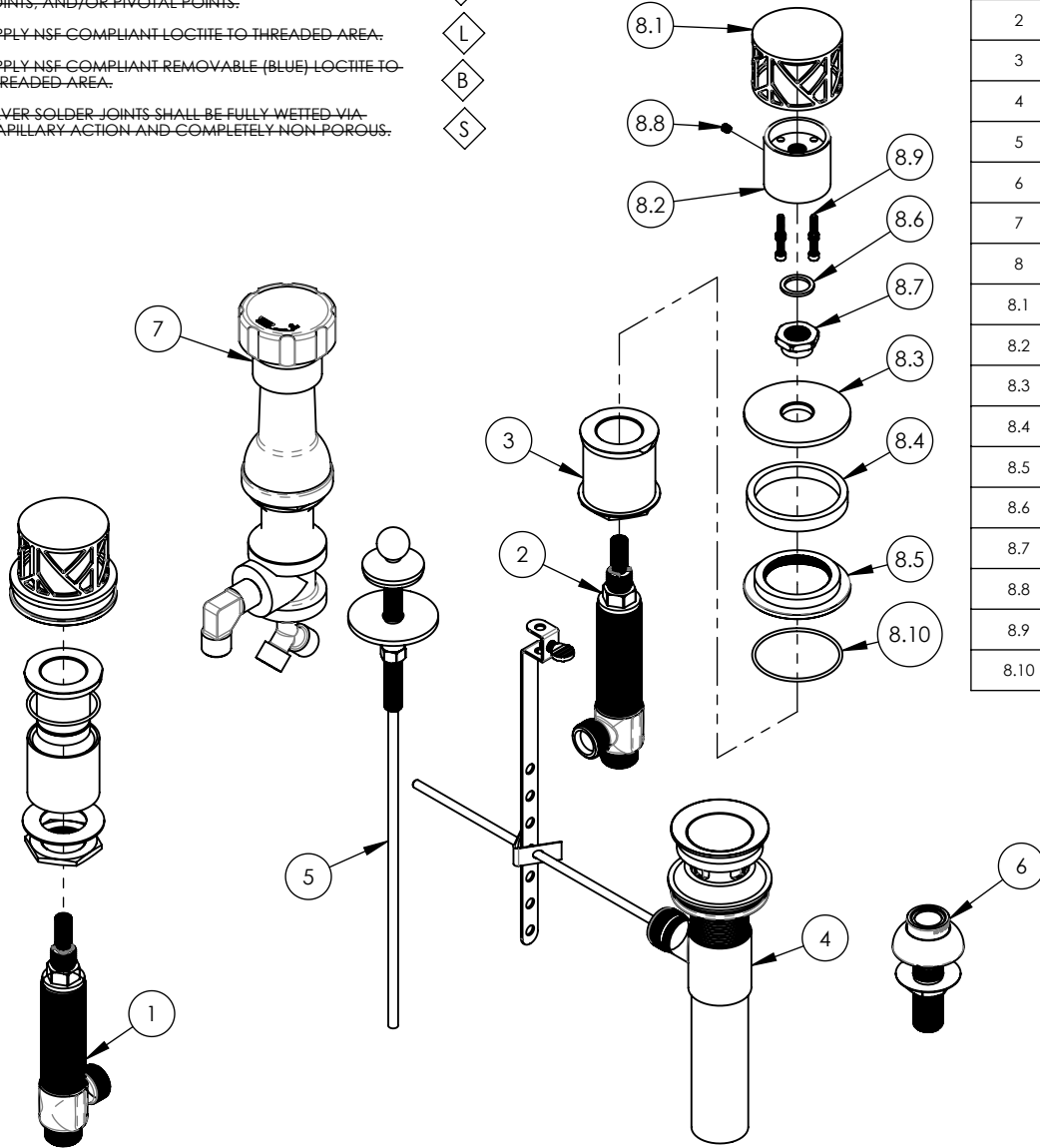


- NOTE(S):
 1. PART NUMBER, "/00" DENOTES PART SHALL HAVE FINISH.
 2. APPLY NSF COMPLIANT GREASE TO ANY O-RING, SEALING JOINTS, AND/OR PIVOTAL POINTS.
 3. APPLY NSF COMPLIANT LOCTITE TO THREADED AREA.
 4. APPLY NSF COMPLIANT REMOVABLE (BLUE) LOCTITE TO THREADED AREA.
 5. SILVER SOLDER JOINTS SHALL BE FULLY WETTED VIA CAPILLARY ACTION AND COMPLETELY NON-POROUS.



ITEM NO.	PART NUMBER	DESCRIPTION	QTY.
1	1-149	WIDESPREAD VALVE LAV 16PT, HOT, ONLY	1
2	1-150	WIDESPREAD VALVE LAV 16PT, COLD, ONLY	1
3	2-092	RECESSED MOUNTING KIT FOR WIDESPREAD	2
4	3-046/00	POP-UP DRAIN ASSEMBLY (2-101, 2-102, & 2-246)	1
5	3-084/00	ASSY, POP-UP BIDET	1
6	3-085/00	ASSY, BIDET SPRAYER	1
7	3-160/00	BIDET DIVERTER, COMPLETE	1
8	3-605/00	ASSY, ROUND HANDLE & BASE, CAGE DESIGN, JOLIE	2
8.1	11810/00	CAGE, HANDLE, ROUND	1
8.2	11803/00	HUB, HANDLE, CAGE DESIGN	1
8.3	11811/00	BASE, TOP	1
8.4	11812/00	CENTER RING, BASE	1
8.5	11813/00	BASE, BOTTOM,	1
8.6	92404	WEAR WASHER, HANDLE	1
8.7	92398	MOUNTING NUT, 9/16"-20	1
8.8	92008	SET SCREW, CUP POINT 8-32, 3/16" L.	1
8.9	92471	SCREW, SS, SOCKET HEAD, 6-32 X 1/2" L	4
8.10	90032	O-RING, 1-7/8"ID X 2"OD X 1/16"THK, AS-568-032	1

ZONE	REV.	DESCRIPTION	DATE	APPROVED
REVISIONS				

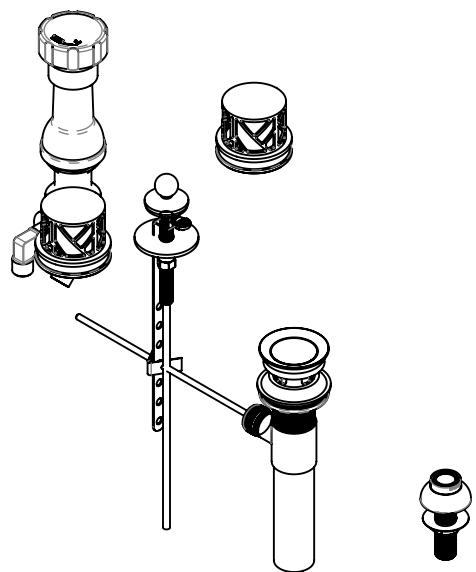
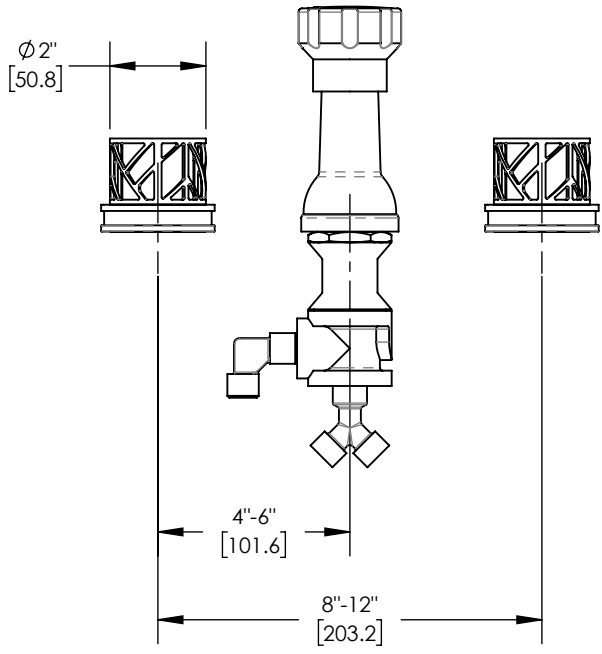
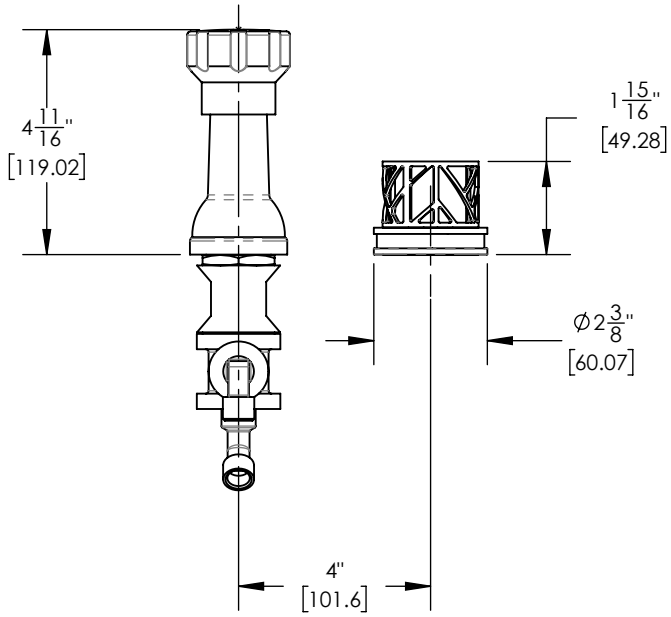
1261 LOGAN AVENUE
 COSTA MESA, CALIFORNIA 92626
 PHONE: 714.361.4800
 FAX: 714.617.3120

PHYLIRICH[®]
 Defining Luxury Since 1959

PROPRIETARY AND CONFIDENTIAL
 THE INFORMATION CONTAINED IN THIS DRAWING IS THE SOLE PROPERTY OF PHYLIRICH. ANY REPRODUCTION IN PART OR AS A WHOLE WITHOUT THE WRITTEN PERMISSION OF PHYLIRICH IS PROHIBITED.
DO NOT SCALE DRAWING

FOUR HOLE BIDET, ROUND HANDLES,
 JOLIE

SIZE A	ASM/PRT NO. 222-60/00	REV -
SCALE: 1:4.25	WEIGHT: lbs.	SHEET 1 OF 2



1261 LOGAN AVENUE
COSTA MESA, CALIFORNIA 92626
PHONE: 714.361.4800
FAX: 714.617.3120

PHYLIRICH[®]
Defining Luxury Since 1959

PROPRIETARY AND CONFIDENTIAL
THE INFORMATION CONTAINED IN THIS DRAWING IS THE SOLE PROPERTY OF PHYLIRICH. ANY REPRODUCTION IN PART OR AS A WHOLE WITHOUT THE WRITTEN PERMISSION OF PHYLIRICH IS PROHIBITED.
DO NOT SCALE DRAWING

FOUR HOLE BIDET, ROUND HANDLES,
JOLIE

SIZE A	ASM/PRT NO. 222-60/00	REV -
SCALE: 1:4	WEIGHT: lbs.	SHEET 2 OF 2