

222-48



■ Accent Colors Available: Orange (042), Black (041), Light Blue (043), Navy Blue (044), Turquoise (049), Pink (045), Purple (046), Grey (048), Gloss White (051) (Order as finish Example - 222-01/014X042)

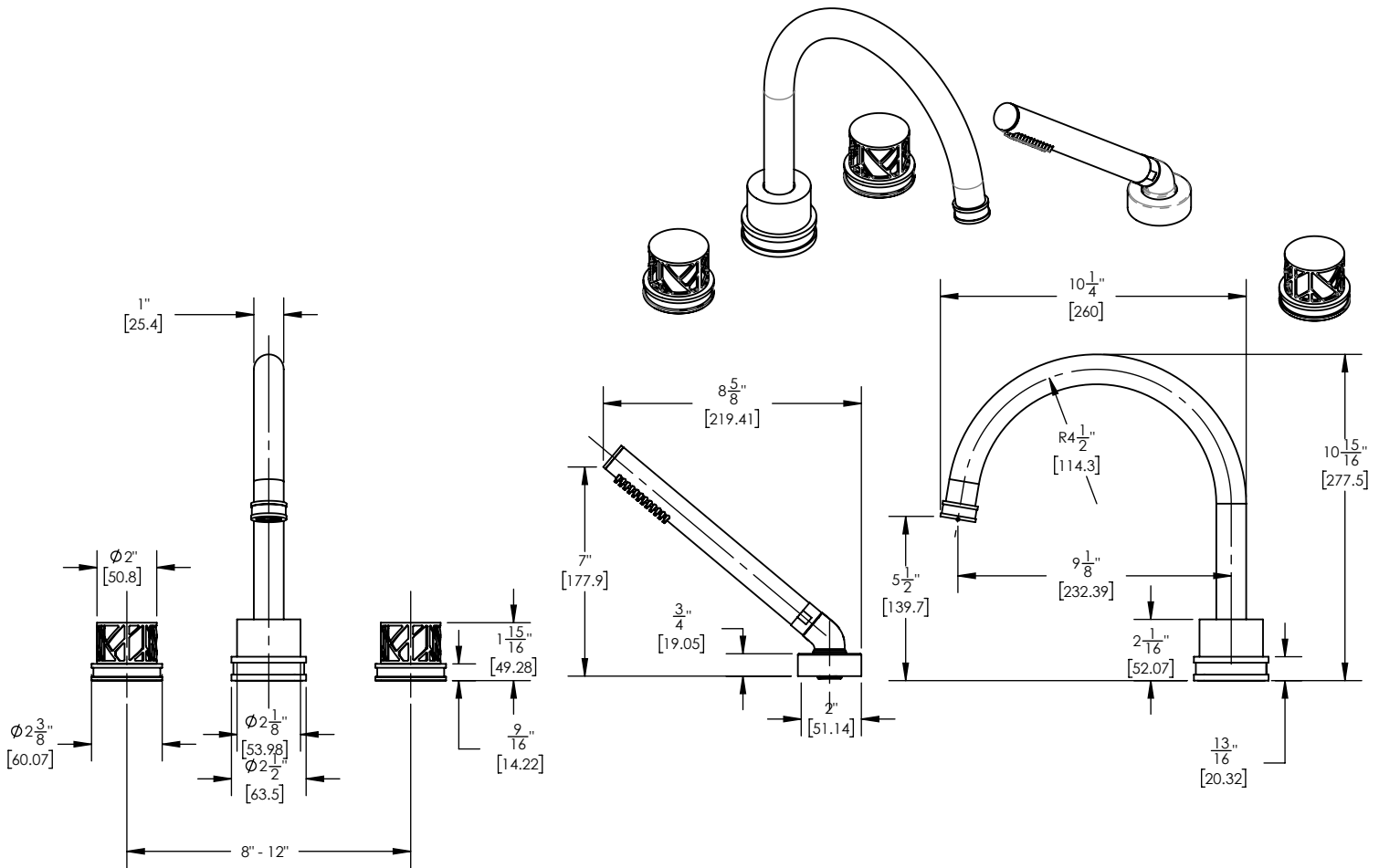
■ **PRODUCT FEATURES**

- Style: Transitional
- Collection: Jolie
- Temperature Controlled By Handles
- Round Handles
- Arch Spout

■ **TECHNICAL DETAILS**

ADA Compliance: Yes
 Deck Thickness Maximum: 2"
 Deck Thickness Minimum: 1/8"
 Fitting Hole Diameter: 1 1/8"
 Number of Holes: Three Hole
 Number of Handles: Two
 Handle Spread Maximum: 12"
 Handle Spread Minimum: 8"
 Handle Turn Angle: Quarter Turn
 Spout Reach: 9 1/8"
 Spout Height: 10 15/16"
 Inlet Connection Type: Male 3/4" NPT
 Installation Type: Deck Mounted
 Primary Material: Brass
 Valve Material: Ceramic
 Shower Flow Restriction: Full Flow
 Hand Shower Flow Restriction: 1.8 GPM
 Water Pressure Maximum: 85 PSI
 Water Pressure Minimum: 20 PSI
 Water Pressure Recommended: 60 PSI

■ **PRODUCT DIMENSIONS**



www.phylrich.com

1261 Logan Avenue, Costa Mesa, California 92626.
 Phone: 714.361.4800 Fax: 714.617.3120



CODES & STANDARDS

ASME A112.181/ CSA B1251, ASME 112.18.2/ CSA B125.2, ANSI NSF, CEC

WARRANTY

Mechanical Warranty: 10 Years from date of purchase.
 Finish Warranty: See catalog for further information.

Rev-