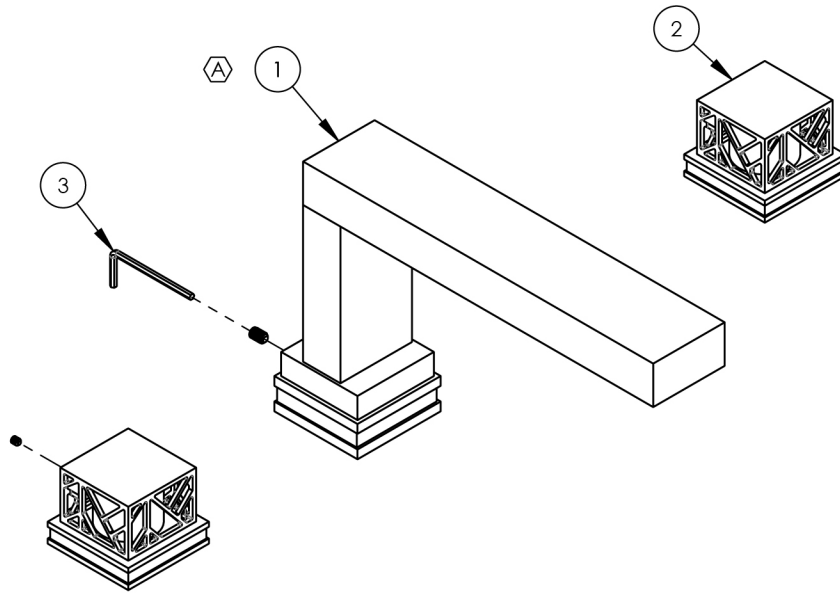


ITEM NO.	PART NUMBER	DESCRIPTION	QTY.
1	3-641/00	DECK TUB SPOUT, JOLIE, ASSY	1
2	3-603/00	ASSY, SQUARE HANDLE & BASE, CAGE DESIGN, JOLIE	2
3	92216	HEX L-KEY 1/8" HEX x 2-5/16"L	1

- NOTE(S):
- PART NUMBER, "/00" DENOTES PART SHALL HAVE FINISH.
 - APPLY NSF COMPLIANT GREASE TO ANY O-RING, SEALING JOINTS, AND/OR PIVOTAL POINTS.
 - APPLY NSF COMPLIANT LOCTITE TO THREADED AREA.
 - APPLY NSF COMPLIANT REMOVABLE (BLUE) LOCTITE TO THREADED AREA.
 - SILVER SOLDER JOINTS SHALL BE FULLY WETTED VIA CAPILLARY ACTION AND COMPLETELY NON-POROUS.



ZONE	REV.	DESCRIPTION	DATE	APPROVED
	A	UPDATED DRAWING	6/17/2024	VA
ALL	A	UPDATE TEMPLATE, ADD CALL OUTS	3/31/2020	AMM
REVISIONS				

1261 LOGAN AVENUE
COSTA MESA, CALIFORNIA 92626
PHONE: 714.361.4800
FAX: 714.617.3120

PHYLIRICH[®]
Defining Luxury Since 1959

PROPRIETARY AND CONFIDENTIAL
THE INFORMATION CONTAINED IN THIS DRAWING IS THE SOLE PROPERTY OF PHYLIRICH. ANY REPRODUCTION IN PART OR AS A WHOLE WITHOUT THE WRITTEN PERMISSION OF PHYLIRICH IS PROHIBITED.
DO NOT SCALE DRAWING

DECK TUB SET, SQUARE, JOLIE

SIZE A	ASM/PRT NO. 222-41/00	REV A
SCALE: 1:4	WEIGHT: lbs.	SHEET 1 OF 2

