

NOTE(S):
 1. PART NUMBER, "/00" DENOTES PART SHALL HAVE FINISH.

2. APPLY NSF COMPLIANT GREASE TO ANY O-RING, SEALING JOINTS, AND/OR PIVOTAL POINTS.

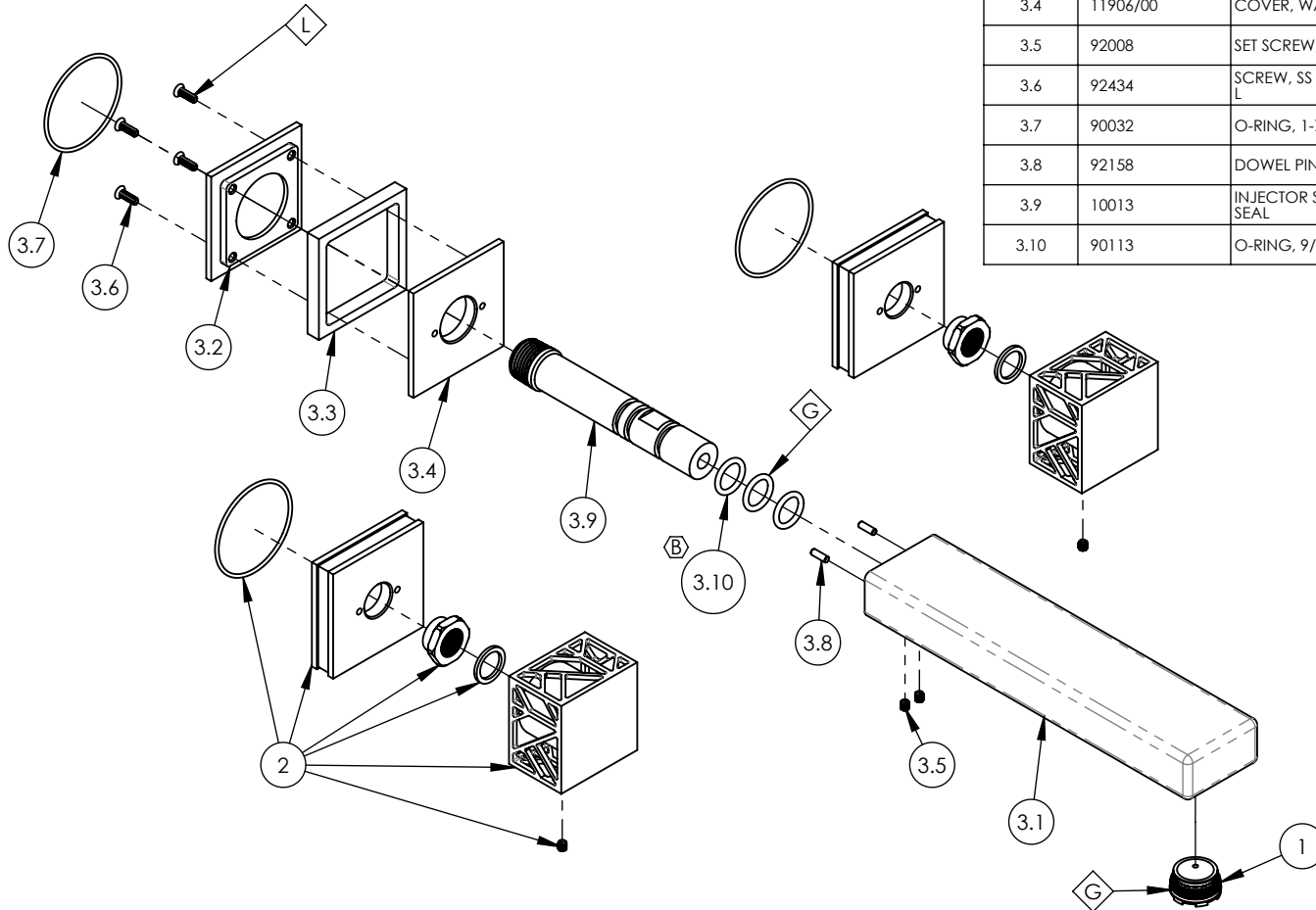
3. APPLY NSF COMPLIANT LOCTITE TO THREADED AREA.

4. APPLY NSF COMPLIANT REMOVABLE (BLUE) LOCTITE TO THREADED AREA.

5. SILVER SOLDER JOINTS SHALL BE FULLY WETTED VIA CAPILLARY ACTION AND COMPLETELY NON-POROUS.



ITEM NO.	PART NUMBER	DESCRIPTION	QTY.
1	11427	AERATOR, CACHE REG, PINK 1.2 GPM, M24X1.0, NEOPERL # 40.2360.010	1
2	3-603/00	ASSY, SQUARE HANDLE & BASE, CAGE DESIGN, JOLIE	2
3	3-638/00	ASSY, WALL SPOUT & BASE, SQUARE, JOLIE	1
3.1	11000/00	SPOUT, WALL MOUNT	1
3.2	11806/00	SQUARE BASE, BOTTOM, JOLIE	1
3.3	11804/00	SQAURE INSERT, HANDLE, BASE	1
3.4	11906/00	COVER, WALL SPOUT BASE, SQUARE, JOLIE	1
3.5	92008	SET SCREW, CUP POINT 8-32, 3/16" L.	2
3.6	92434	SCREW, SS PHILLIPS FLAT HEAD W/ UNDERCUT 6-32 X 7/16" L	4
3.7	90032	O-RING, 1-7/8"ID X 2"OD X 1/16"THK, AS-568-032	1
3.8	92158	DOWEL PIN, 1/8" X 3/8"L	2
3.9	10013	INJECTOR SHANK, 1/2"NPT MALE TO M16.5 CACHE W/ O-SEAL	1
3.10	90113	O-RING, 9/16"ID X 3/4"OD X 3/32"THK, AS-568-113	3



ZONE	REV.	DESCRIPTION	DATE	APPROVED
C4	B	UPDATE O-RINGS	6/10/2021	AMM
REVISIONS				

1261 LOGAN AVENUE
 COSTA MESA, CALIFORNIA 92626
 PHONE: 714.361.4800
 FAX: 714.617.3120

PHYLIRICH[®]
 Defining Luxury Since 1959

PROPRIETARY AND CONFIDENTIAL
 THE INFORMATION CONTAINED IN THIS DRAWING IS THE SOLE PROPERTY OF PHYLIRICH. ANY REPRODUCTION IN PART OR AS A WHOLE WITHOUT THE WRITTEN PERMISSION OF PHYLIRICH IS PROHIBITED.
DO NOT SCALE DRAWING

ASSY, WALL LAV, SQUARE, JOLIE

SIZE A	ASM/PRT NO. 222-12/00	REV B
SCALE: 1:3.5	WEIGHT: lbs.	SHEET 1 OF 2

5

4

3

2

1

E

E

D

D

C

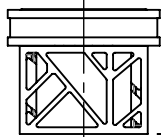
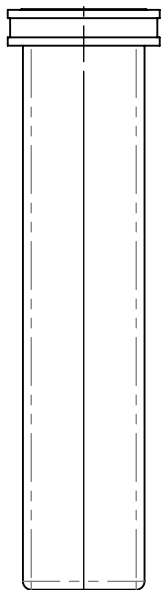
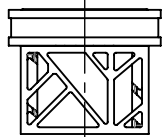
C

B

B

A

A



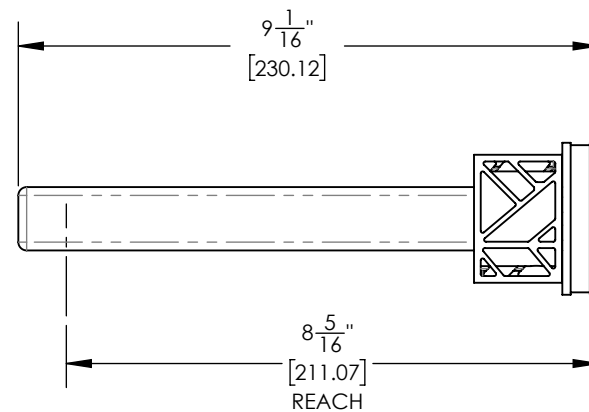
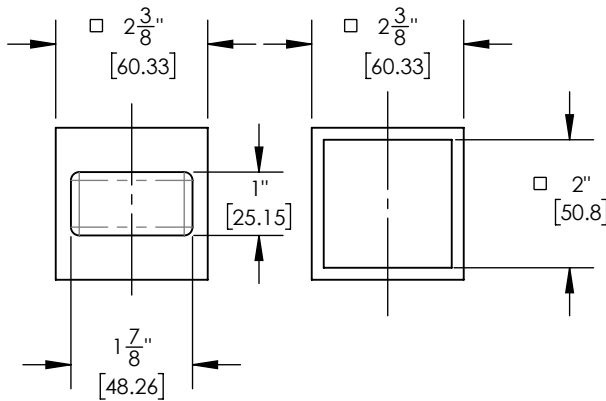
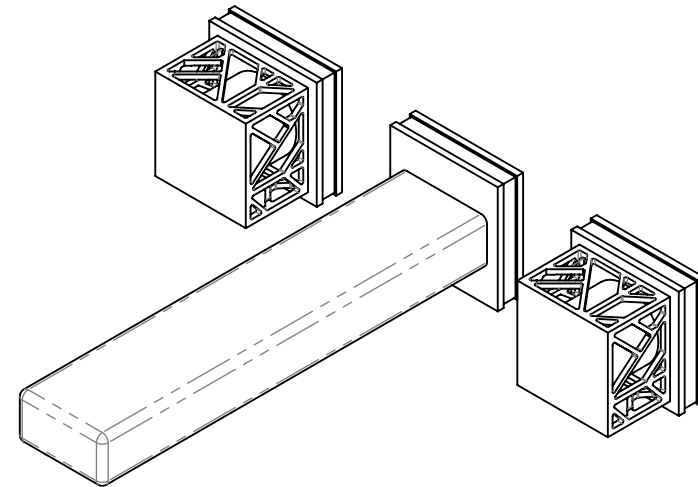
$1\frac{3}{8}$ "

[35.05]

$1\frac{15}{16}$ "
[49.28]

4"-6"
[101.6]

8"-12"
[203.2]



1261 LOGAN AVENUE
COSTA MESA, CALIFORNIA 92626
PHONE: 714.361.4800
FAX: 714.617.3120

PHYLIRICH[®]
Defining Luxury Since 1959

PROPRIETARY AND CONFIDENTIAL
THE INFORMATION CONTAINED IN THIS DRAWING IS THE SOLE PROPERTY OF PHYLIRICH. ANY REPRODUCTION IN PART OR AS A WHOLE WITHOUT THE WRITTEN PERMISSION OF PHYLIRICH IS PROHIBITED.
DO NOT SCALE DRAWING

ASSY, WALL LAV, SQUARE, JOLIE

SIZE A	ASM/PRT NO. 222-12/00	REV B
SCALE: 1:3	WEIGHT: lbs.	SHEET 2 OF 2

5

4

3

2

1