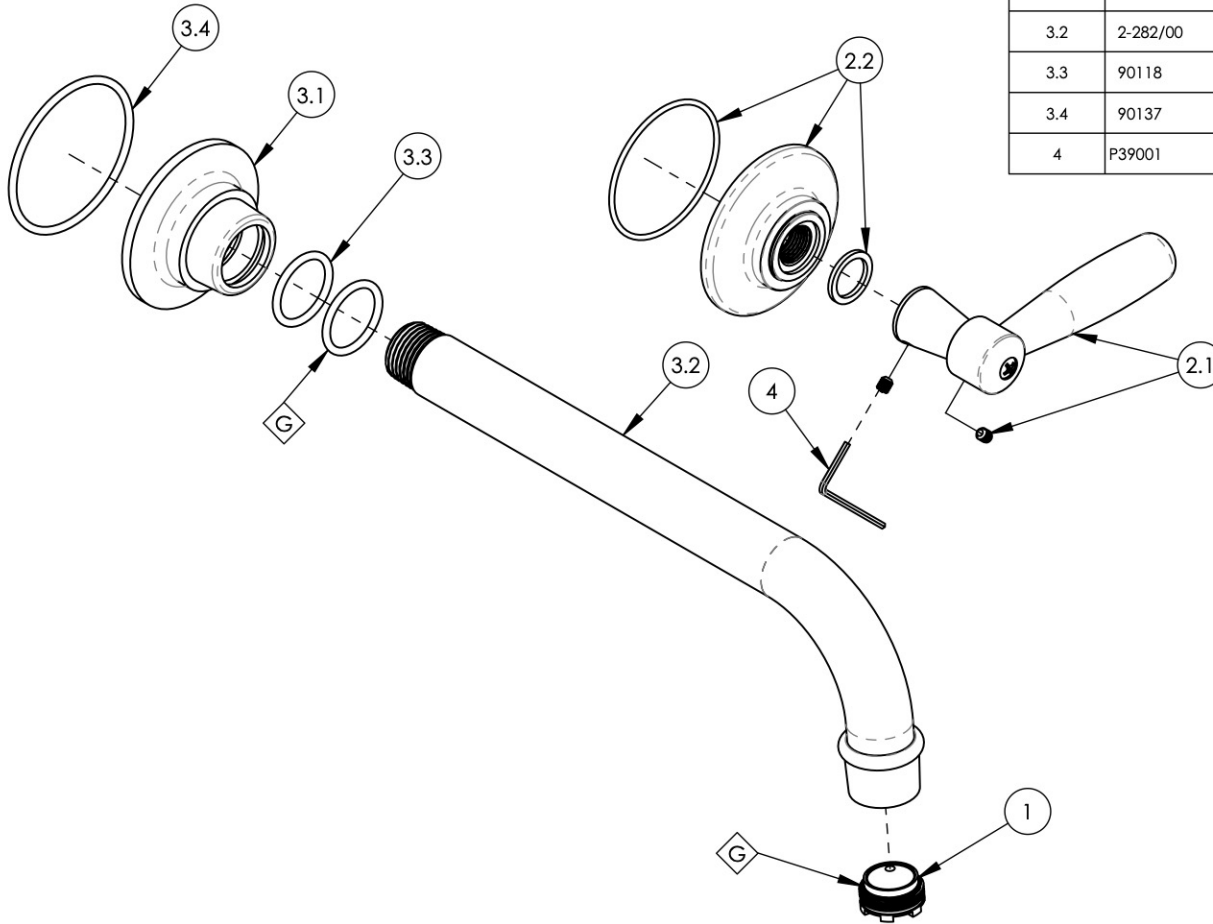


NOTE(S):
 1. PART NUMBER, "/00" DENOTES PART SHALL HAVE FINISH.
 2. APPLY NSF COMPLIANT GREASE TO ANY O-RING, SEALING JOINTS, AND/OR PIVOTAL POINTS.



ITEM NO.	PART NUMBER	DESCRIPTION	QTY.
1	11429	AERATOR CACHE JUNIOR, 1.2GPM, M21.5X1.0, NEOPERL # 42.2260.450	1
2	3-615/00	HANDLE LEVER W/ BASE & HARDWARE, WORKS	1
2.1	3-303/00	HANDLE LEVER W/ HARDWARE, WORKS	1
2.2	3-299/00	ESCUTCHEON BASE FOR HANDLE, WORKS	1
3	3-643/00	SPOUT, WALL, W/ HARDWARE, TRADITIONAL, WORKS	1
3.1	11920/00	ESCUTCHEON BASE, WALL SPOUT, WORKS	1
3.2	2-282/00	ASSY, WALL SPOUT, BRAZE, HEX MODERN	1
3.3	90118	O-RING, 7/8"ID X 1-1/16"OD X 3/32"THK., AS-568-118	2
3.4	90137	O-RING, 2-1/16"ID X 3/32"THK., AS-568-137	1
4	P39001	HEX KEY 5/64, FOR 8-32 SET SCREW	1



ZONE	REV.	DESCRIPTION	DATE	APPROVED
REVISIONS				

1261 LOGAN AVENUE
 COSTA MESA, CALIFORNIA 92626
 PHONE: 714.361.4800
 FAX: 714.617.3120

PHYLIRICH[®]
 Defining Luxury Since 1959

PROPRIETARY AND CONFIDENTIAL
 THE INFORMATION CONTAINED IN THIS DRAWING IS THE SOLE PROPERTY OF PHYLIRICH. ANY REPRODUCTION IN PART OR AS A WHOLE WITHOUT THE WRITTEN PERMISSION OF PHYLIRICH IS PROHIBITED.

-	-	INTERPRET GEOMETRIC DIMENSIONING & TOLERANCING IN ACCORDANCE WITH ASME Y14.5-2009 & ASME Y14.41-2003 STANDARDS, UNLESS OTHERWISE SPECIFIED. DIMENSIONS ARE IN INCHES. TOLERANCES ARE:		
NEXT ASSY	USED ON	FRACTIONS ±1/16"	DECIMALS X.X: ±.1 X.XX: ±.01 X.XXX: ±.005	ANGULAR ±2°
APPLICATION		MATERIAL	NAME	DATE
FINISH		DRAWN	RAH	12/3/2019
DO NOT SCALE DRAWING		CHECKED		

WALL LAV, SINGLE HANDLE, LEVER, WORKS

SIZE A	ASM/PRT NO. 220-16/00	REV -
------------------	---------------------------------	----------

SCALE: 1:2.5 WEIGHT: lbs. SHEET 1 OF 2