

5

4

3

2

1

E

E

D

D

C

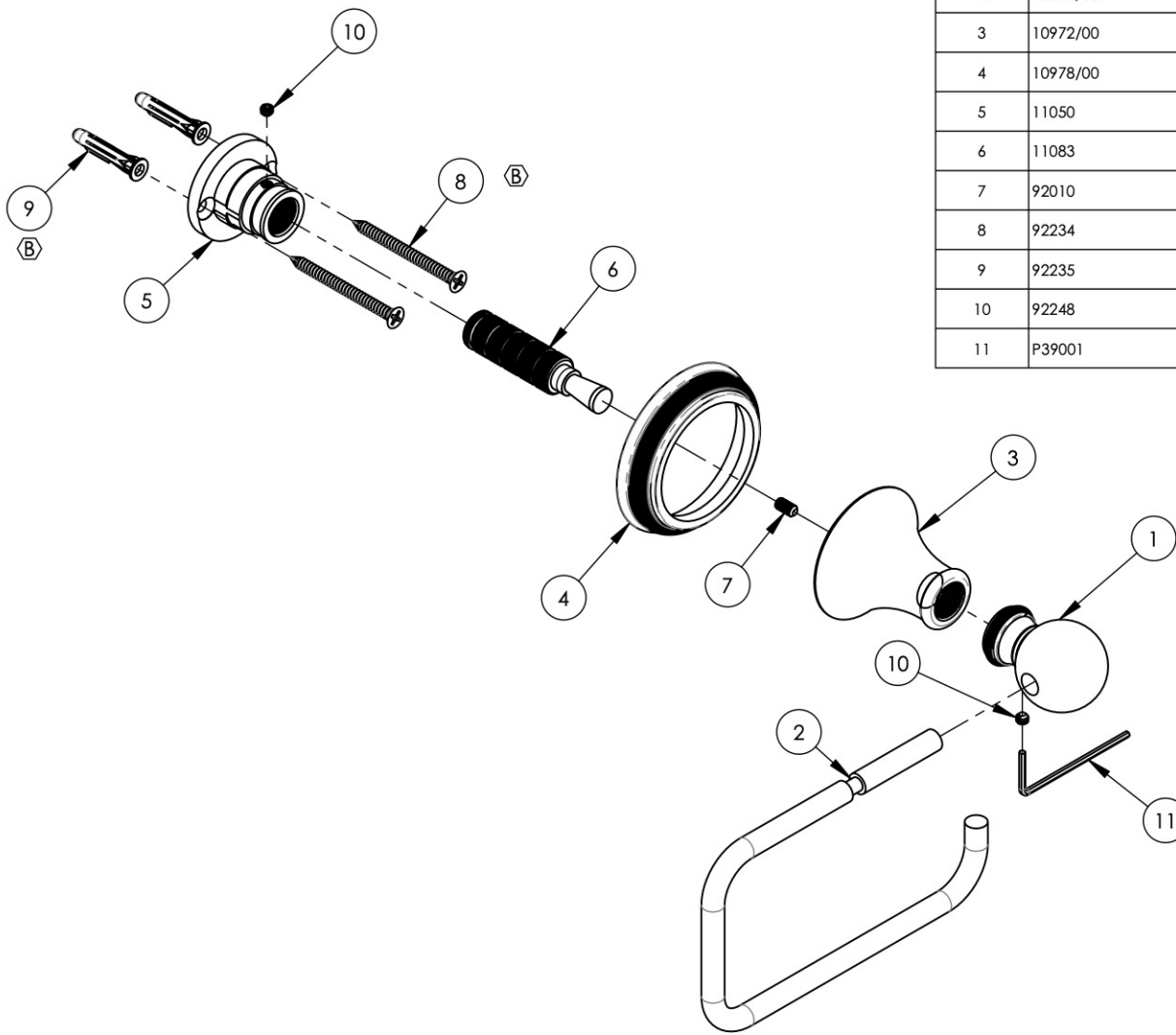
C

B

B

A

A



| ITEM NO. | PART NUMBER | DESCRIPTION | QTY. |
|----------|-------------|---|------|
| 1 | 10529/00 | TP SINGLE POST, 208 SERIES | 1 |
| 2 | 10644/00 | RING, TP HOLDER | 1 |
| 3 | 10972/00 | HUB, TRANSITIONAL 3RING | 1 |
| 4 | 10978/00 | ESCUTCHEON HANDLE BASE COINED, 3RING, COINED SERIES | 1 |
| 5 | 11050 | MOUNTING KIT, WALL FLANGE | 1 |
| 6 | 11083 | EXTENSION FOR MOUNTING KIT | 1 |
| 7 | 92010 | SET SCREW, CUP POINT 8-32UNC 5/16" LENGTH SS | 1 |
| 8 | 92234 | SCREW FOR WOOD, PHIL, NO. 8 X 1-1/2"L | 2 |
| 9 | 92235 | ANCHOR FOR DRYWALL, TWIST-ACTION NO. 6-8 SIZE | 2 |
| 10 | 92248 | SET SCREW, CUP POINT 8-32 UNC, 1/8" L. | 2 |
| 11 | P39001 | HEX KEY 5/64, FOR 8-32 SET SCREW | 1 |

| | | | | |
|-----------|------|---|-----------|----------|
| D4, A1 | B | UPDATE DWG NAME, REMOVE MOUNTING SUBASSY, UPDATE MOUNT SCREWS/ANCHOR & QUANTITY | 9/28/2020 | AMM |
| ZONE | REV. | DESCRIPTION | DATE | APPROVED |
| REVISIONS | | | | |

1261 LOGAN AVENUE
COSTA MESA, CALIFORNIA 92626
PHONE: 714.361.4800
FAX: 714.617.3120

PHYL RICH[®]
Defining Luxury Since 1959

PROPRIETARY AND CONFIDENTIAL
THE INFORMATION CONTAINED IN THIS DRAWING IS THE SOLE PROPERTY OF PHYL RICH. ANY REPRODUCTION IN PART OR AS A WHOLE WITHOUT THE WRITTEN PERMISSION OF PHYL RICH IS PROHIBITED.

| | | | | |
|-----------------------------|---------|---|--|----------------|
| - | - | INTERPRET GEOMETRIC DIMENSIONING & TOLERANCING IN ACCORDANCE WITH ASME Y14.5-2009 & ASME Y14.41-2003 STANDARDS, UNLESS OTHERWISE SPECIFIED. DIMENSIONS ARE IN INCHES. TOLERANCES ARE: | | |
| NEXT ASSY | USED ON | FRACTIONS ±1/16" | DECIMALS X.X: ±.1 X.XX: ±.01 X.XXX: ±.005 | ANGULAR ±2° |
| APPLICATION | | MATERIAL | NAME | DATE |
| FINISH | | DRAWN | LLO | 3/25/2014 |
| DO NOT SCALE DRAWING | | CHECKED | GRE | |

TOILET PAPER HOLDER, SINGLE POST, COINED SERIES

| | | |
|--------------|--------------|--------------|
| SIZE | ASM/PRT NO. | REV |
| A | 208-74/00 | B |
| SCALE: 1:2.5 | WEIGHT: lbs. | SHEET 1 OF 2 |

5

4

3

2

1