

5

4

3

2

1

E

E

D

D

C

C

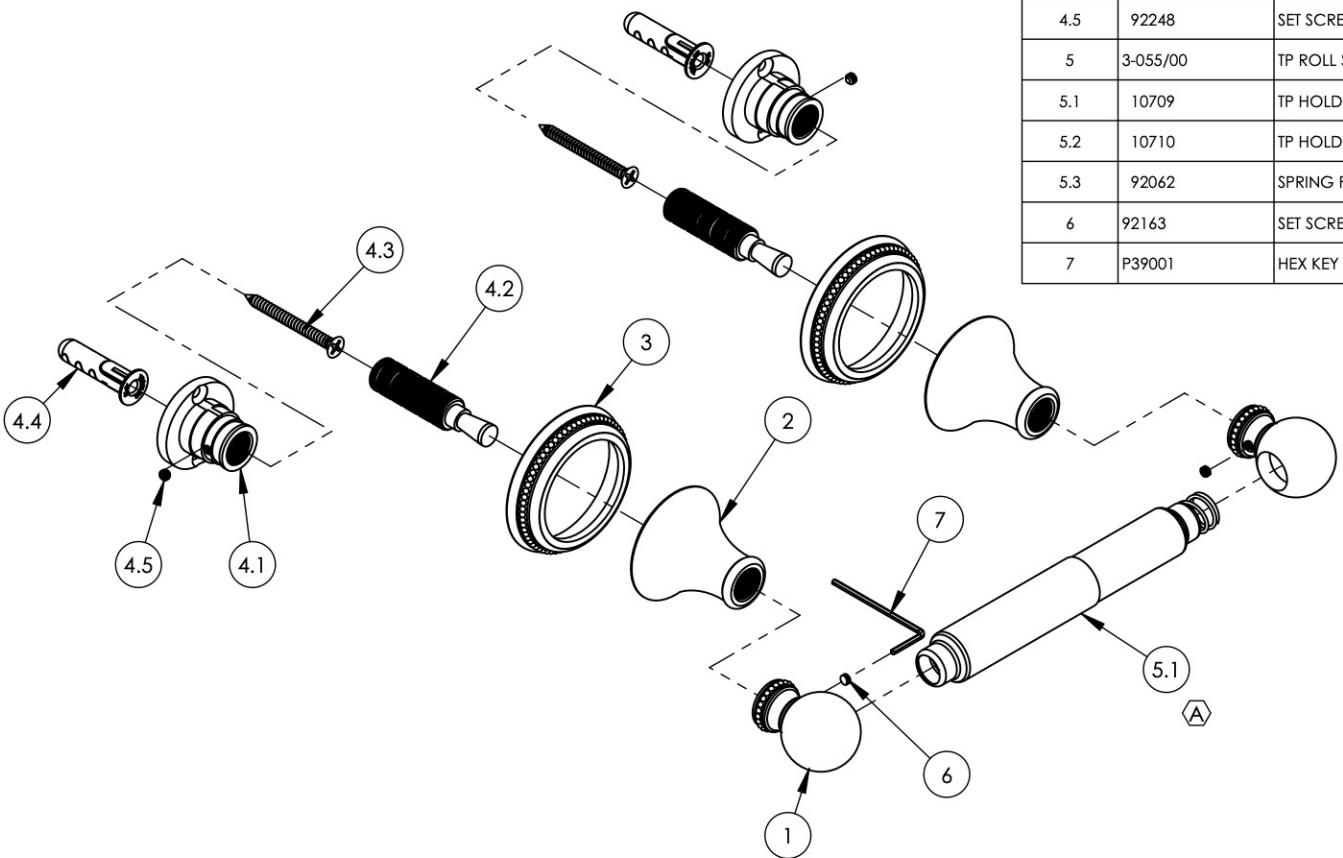
B

B

A

A

ITEM NO.	PART NUMBER	DESCRIPTION	QTY.
1	10496/00	POST TP HOLDER, BEADED SERIES	2
2	10972/00	HUB, TRANSITIONAL 3RING	2
3	10973/00	ESCUTCHEON, BEADED HANDLE	2
4	2-104	MOUNTING KIT WITH EXTENSION	2
4.1	11050	MOUNTING KIT, WALL FLANGE	1
4.2	11083	EXTENSION FOR MOUNTING KIT	1
4.3	92043	SCREW, FLAT HD #10 SIZE W/ #2 PHIL DRIVE, 2"L	1
4.4	92046	ANCHOR SCREW 3/8" HOLE, TOGGLER AF10	1
4.5	92248	SET SCREW, CUP POINT 8-32 UNC, 1/8" L.	1
5	3-055/00	TP ROLL SPRING HOLDER	1
5.1	10709	TP HOLDER FOR SPRING LEFT	1
5.2	10710	TP HOLDER FOR SPRING RIGHT	1
5.3	92062	SPRING FOR TP HOLDER	1
6	92163	SET SCREW, CONE PT 8-32 X 1/8"L	2
7	P39001	HEX KEY 5/64, FOR 8-32 SET SCREW	1



B2	A	UPDATE TEMPLATE/ PAPER ROLLER	4/7/2020	AMM
ZONE	REV.	DESCRIPTION	DATE	APPROVED
REVISIONS				

1261 LOGAN AVENUE
COSTA MESA, CALIFORNIA 92626
PHONE: 714.361.4800
FAX: 714.617.3120

PHYL RICH[®]
Defining Luxury Since 1959

PROPRIETARY AND CONFIDENTIAL
THE INFORMATION CONTAINED IN THIS DRAWING IS THE SOLE PROPERTY OF PHYL RICH. ANY REPRODUCTION IN PART OR AS A WHOLE WITHOUT THE WRITTEN PERMISSION OF PHYL RICH IS PROHIBITED.

-	-	INTERPRET GEOMETRIC DIMENSIONING & TOLERANCING IN ACCORDANCE WITH ASME Y14.5-2009 & ASME Y14.41-2003 STANDARDS, UNLESS OTHERWISE SPECIFIED. DIMENSIONS ARE IN INCHES. TOLERANCES ARE:		
NEXT ASSY	USED ON	FRACTIONS ±1/16"	DECIMALS X.X: ±.1 X.XX: ±.01 X.XXX: ±.005	ANGULAR ±2°
APPLICATION		MATERIAL	NAME	DATE
FINISH		DRAWN	LLO	3/21/2014
DO NOT SCALE DRAWING		CHECKED	GRE	

PAPER HOLDER, BEADED SERIES

SIZE	ASM/PRT NO.	REV
A	207-73/00	A
SCALE: 1:3	WEIGHT: lbs.	SHEET 1 OF 2

5

4

3

2

1