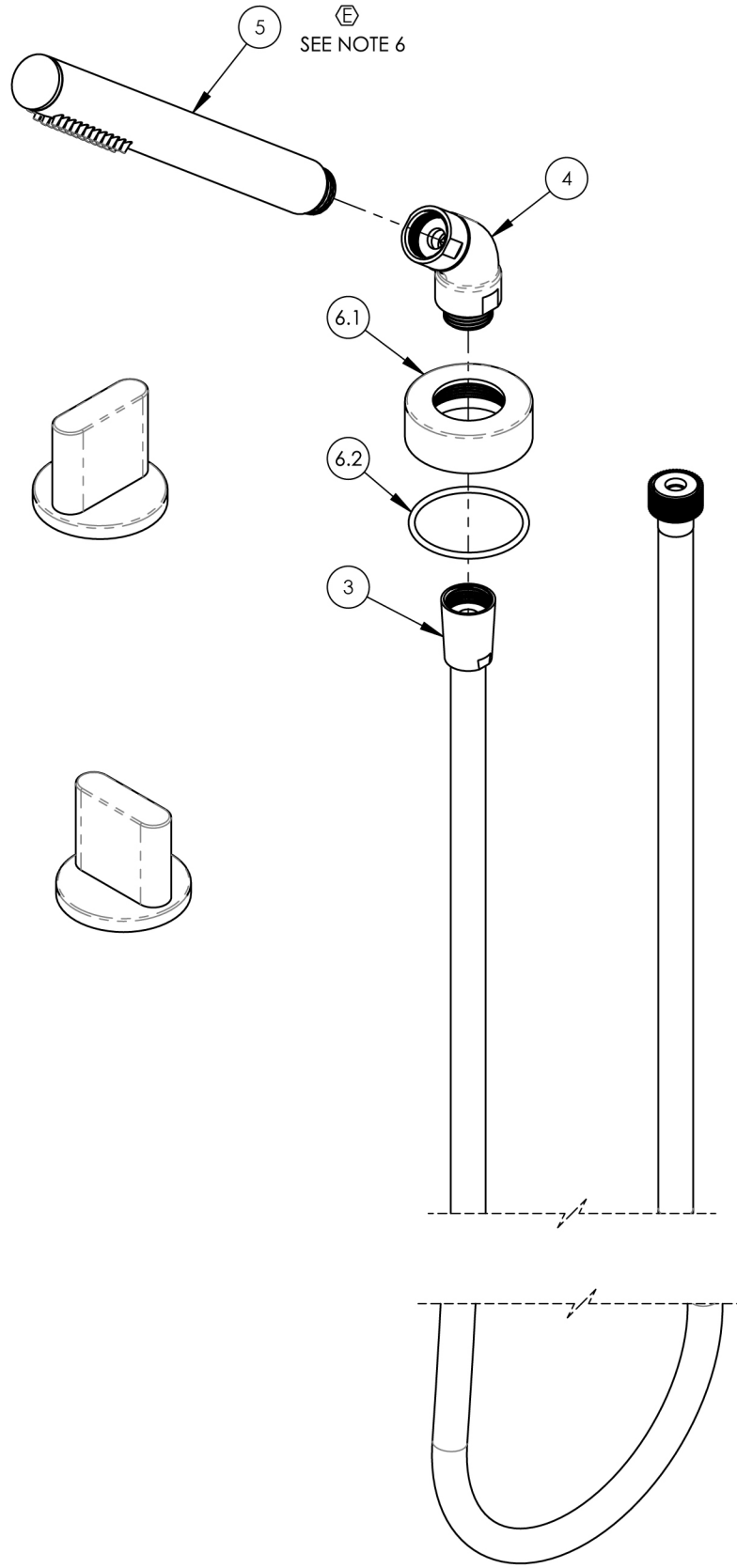
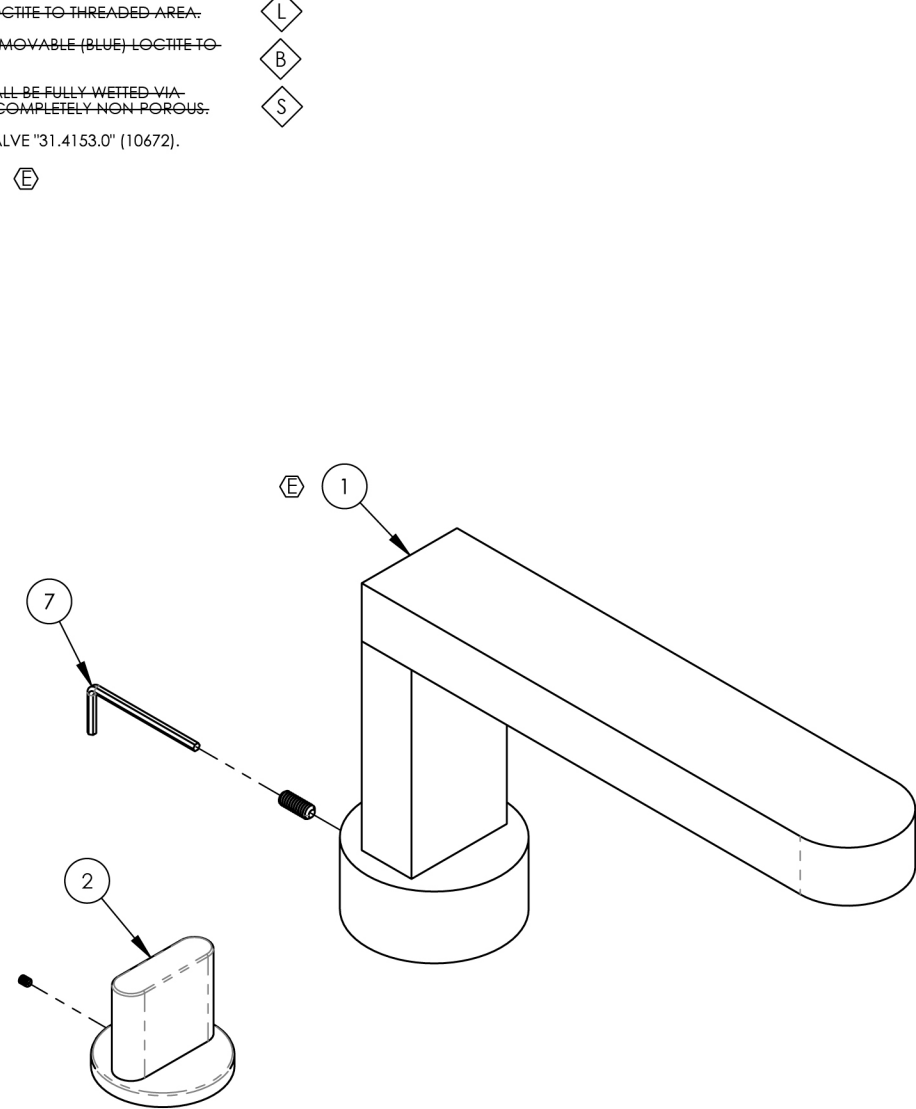


- NOTE(S):
1. PART NUMBER, "/00" DENOTES PART SHALL HAVE FINISH.
 2. APPLY NSF COMPLIANT GREASE TO ANY O-RING, SEALING JOINTS, AND/OR PIVOTAL POINTS.
 3. APPLY NSF COMPLIANT LOCTITE TO THREADED AREA.
 4. APPLY NSF COMPLIANT REMOVABLE (BLUE) LOCTITE TO THREADED AREA.
 5. SILVER SOLDER JOINTS SHALL BE FULLY WETTED VIA CAPILLARY ACTION AND COMPLETELY NON-POROUS.
 6. ASSEMBLY USES CHECK VALVE "31.4153.0" (10672).

- ◇ G
- ◇ L
- ◇ B
- ◇ S

ⓔ



ITEM NO.	PART NUMBER	DESCRIPTION	QTY.
1	3-591/00	DECK TUB SPOUT, ROND, ASSY	1
2	3-584/00	ASSY, BLADE HANDLE, ROND	3
3	3-049/00	ASSY, HOSE KIT, HANDSHOWER	1
4	3-050/00	ELBOW ASSEMBLY	1
5	3-471/00	ASSY, ROUND HANDSHOWER, CONTEMPORARY	1
6	3-216/00	ESCUTCHEON BASE, HANDSHOWER, ROND	1
6.1	11760/00	ESCUTCHEON, HAND SHOWER, ROND	1
6.2	90133	1 13/16" O-RING, 1-13/16ID X 3/32THK, AS-568-133	1
7	92216	HEX L-KEY 1/8" HEX x 2-5/16"L	1

ALL	E	ADD CHECK VALVE CALLOUT TO NOTES & UPDATED DRAWINGS	7/12/2024	VA
ZONE	REV.	DESCRIPTION	DATE	APPROVED
REVISIONS				

1261 LOGAN AVENUE
COSTA MESA, CALIFORNIA 92626
PHONE: 714.361.4800
FAX: 714.617.3120

PHYL RICH[®]
Defining Luxury Since 1959

PROPRIETARY AND CONFIDENTIAL
THE INFORMATION CONTAINED IN THIS DRAWING IS THE SOLE PROPERTY OF PHYL RICH. ANY REPRODUCTION IN PART OR AS A WHOLE WITHOUT THE WRITTEN PERMISSION OF PHYL RICH IS PROHIBITED.
DO NOT SCALE DRAWING

DECK TUB SET W/ HANDSHOWER, BLADE HANDLES, ROND

SIZE	ASM/PRT NO.	REV
B	183-48/00	E
SCALE: 1:3	WEIGHT: lbs.	SHEET 1 OF 2