

NOTE(S):
 1. PART NUMBER, "/00" DENOTES PART SHALL HAVE FINISH.

2. APPLY NSF COMPLIANT GREASE TO ANY O-RING, SEALING JOINTS, AND/OR PIVOTAL POINTS. G

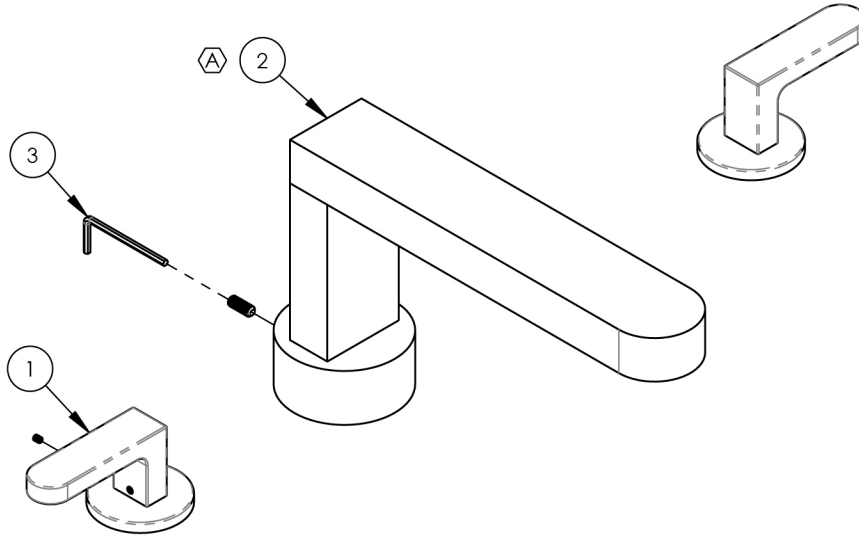
3. APPLY NSF COMPLIANT LOCTITE TO THREADED AREA. L

4. APPLY NSF COMPLIANT REMOVABLE (BLUE) LOCTITE TO THREADED AREA. B

5. SILVER SOLDER JOINTS SHALL BE FULLY WETTED VIA CAPILLARY ACTION AND COMPLETELY NON-POROUS. S

A

ITEM NO.	PART NUMBER	DESCRIPTION	QTY.
1	3-585/00	ASSY, LEVER HANDLE, ROND	2
2	3-591/00	DECK TUB SPOUT, ROND, ASSY	1
3	92216	HEX L-KEY 1/8" HEX x 2-5/16"L	1



ZONE	REV.	DESCRIPTION	DATE	APPROVED
	A	UPDATED DRAWING	7/12/2024	VA
ALL	A	UPDATE TEMPLATE, O-RINGS, ADD CALL OUTS	6/5/2020	AMM
REVISIONS				

1261 LOGAN AVENUE
 COSTA MESA, CALIFORNIA 92626
 PHONE: 714.361.4800
 FAX: 714.617.3120

PHYLIRICH[®]
 Defining Luxury Since 1959

PROPRIETARY AND CONFIDENTIAL
 THE INFORMATION CONTAINED IN THIS DRAWING IS THE SOLE PROPERTY OF PHYLIRICH. ANY REPRODUCTION IN PART OR AS A WHOLE WITHOUT THE WRITTEN PERMISSION OF PHYLIRICH IS PROHIBITED.
 DO NOT SCALE DRAWING

ASSY, DECK TUB SET, LEVER HANDLES, ROND

SIZE	ASM/PRT NO.	REV
A	183-41/00	A
SCALE: 1:4	WEIGHT: lbs.	SHEET 1 OF 2