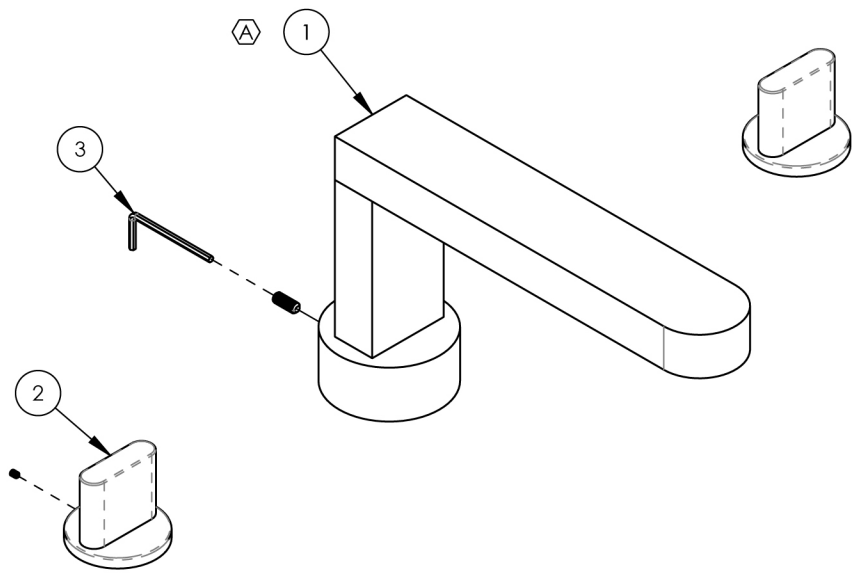


- NOTE(S):
1. PART NUMBER, "/00" DENOTES PART SHALL HAVE FINISH.
 2. APPLY NSF COMPLIANT GREASE TO ANY O-RING, SEALING JOINTS, AND/OR PIVOTAL POINTS.
 3. APPLY NSF COMPLIANT LOCTITE TO THREADED AREA.
 4. APPLY NSF COMPLIANT REMOVABLE (BLUE) LOCTITE TO THREADED AREA.
 5. SILVER SOLDER JOINTS SHALL BE FULLY WETTED VIA CAPILLARY ACTION AND COMPLETELY NON POROUS.

- ◇ G
- ◇ L
- ◇ B
- ◇ S

Ⓐ



ITEM NO.	PART NUMBER	DESCRIPTION	QTY.
1	3-591/00	DECK TUB SPOUT, ROND, ASSY	1
2	3-584/00	ASSY, BLADE HANDLE, ROND	2
3	92216	HEX L-KEY 1/8" HEX x 2-5/16"L	1

ZONE	REV.	DESCRIPTION	DATE	APPROVED
	A	UPDATED DRAWINGS	7/12/2024	VA
ALL	A	UPDATE TEMPLATE, O-RINGS, ADD CALL OUTS	6/5/2020	AMM

1261 LOGAN AVENUE
COSTA MESA, CALIFORNIA 92626
PHONE: 714.361.4800
FAX: 714.617.3120

PHYL RICH[®]
Defining Luxury Since 1959

PROPRIETARY AND CONFIDENTIAL
THE INFORMATION CONTAINED IN THIS DRAWING IS THE SOLE PROPERTY OF PHYL RICH. ANY REPRODUCTION IN PART OR AS A WHOLE WITHOUT THE WRITTEN PERMISSION OF PHYL RICH IS PROHIBITED.
DO NOT SCALE DRAWING

ASSY, DECK TUB SET, BLADE HANDLES, ROND

SIZE A	ASM/PRT NO. 183-40/00	REV A
SCALE: 1:4	WEIGHT: lbs.	SHEET 1 OF 2

