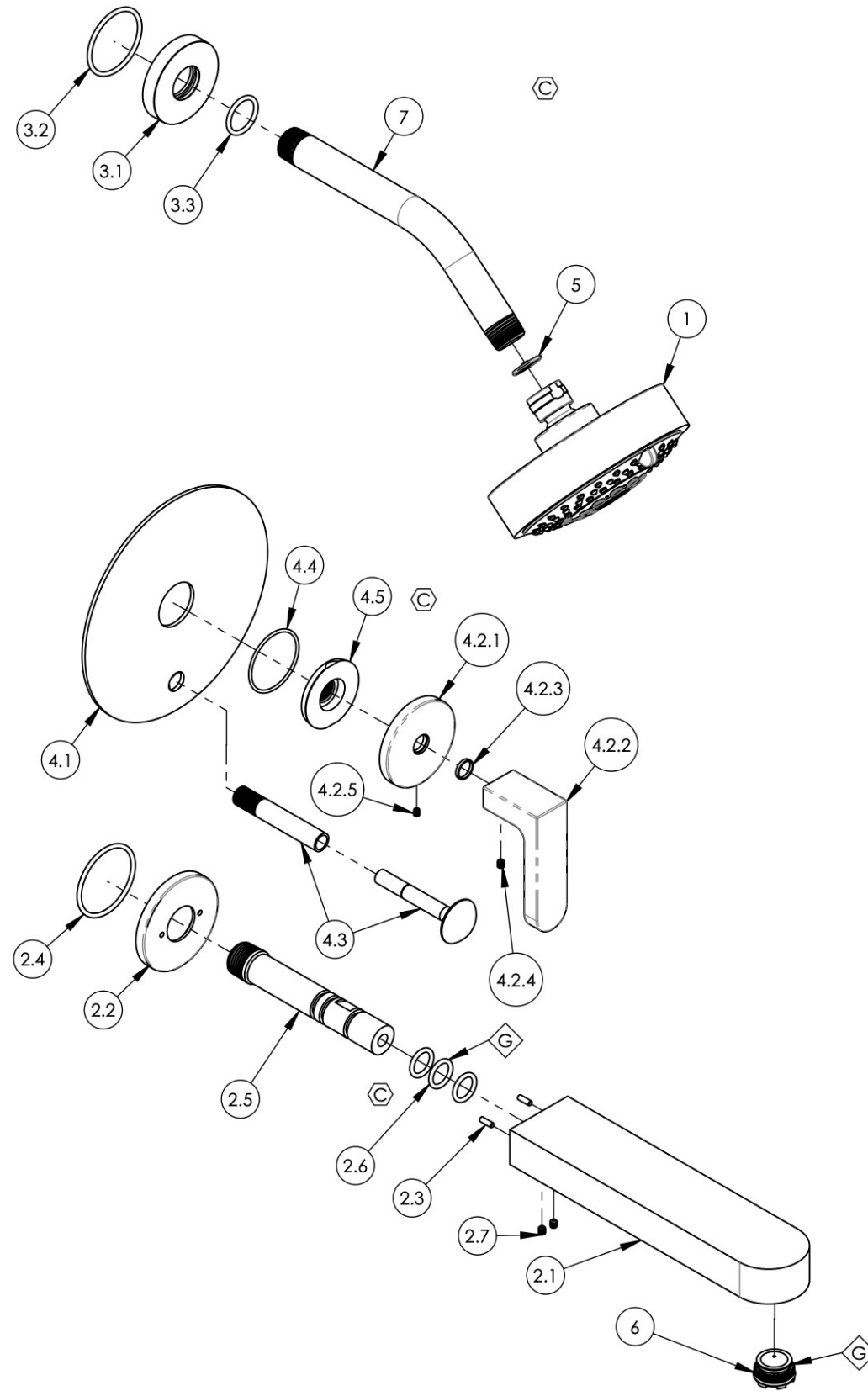


NOTE(S):

1. PART NUMBER, "/00" DENOTES PART SHALL HAVE FINISH.
2. APPLY NSF COMPLIANT GREASE TO ANY O-RING, SEALING JOINTS, AND/OR PIVOTAL POINTS.
3. APPLY NSF COMPLIANT LOCTITE TO THREADED AREA.
4. APPLY NSF COMPLIANT REMOVABLE (BLUE) LOCTITE TO THREADED AREA.
5. SILVER SOLDER JOINTS SHALL BE FULLY WETTED VIA CAPILLARY ACTION AND COMPLETELY NON-POROUS.
6. FOR DEEPEER ESCUTCHEON:
  - 3-589/00
  - 92401



ITEM NO.	PART NUMBER	DESCRIPTION	QTY.
1	3-454/00	SHOWER HEAD MULTI. FUNC. CONTEMP.	1
2	3-588/00	ASSY, WALL SPOUT, ROND	1
2.1	11755/00	WALL SPOUT, ROND	1
2.2	11756/00	ESCUTCHEON, WALL SPOUT, ROND	1
2.3	92158	DOWEL PIN, 1/8" X 3/8" L	2
2.4	90131	O-RING, 1-11/16 ID X 3/32 THK, AS-568-131	1
2.5	10013	INJECTOR SHANK, 1/2" NPT MALE TO M16.5 CACHE W/ O-SEAL	1
2.6	90113	O-RING, 9/16 ID X 3/4 OD X 3/32 THK, AS-568-113	3
2.7	92008	SET SCREW, CUP POINT 8-32, 3/16" L	2
3	3-700/00	ESCUTCHEON FLANGE, SHOWER ARM, CONTEMPORARY, ROUND	1
3.1	P16019/00	BASE SHOWER FLANGE, BASIC SERIES	1
3.2	90129	O-RING, 1-9/16 ID X 3/32 THK, AS-568-129	1
3.3	90117	O-RING, 7/8 ID X 33/32 THK., AS-568-117	1
4	4-554/00	ASSY, LEVER HANDLE W/ DIVERTER, TRIM, ROND	1
4.1	10445/00	TRIM PLATE 6" ROUND W/ DIVERTER HOLE, BASIC II	1
4.2	3-585/00	ASSY, LEVER HANDLE, ROND	1
4.2.1	11749/00	ESCUTCHEON, HANDLE, ROND	1
4.2.2	11752/00	HANDLE, LEVER, ROND	1
4.2.3	92176	WEAR WASHER	1
4.2.4	92008	SET SCREW, CUP POINT 8-32, 3/16" L	1
4.2.5	92005	SET SCREW, CUP PT 6-32 UNC THREAD 3/16" L	1
4.3	3-125/00	DIVERTER EXTENSION ASSY FOR PB TUB & SHOWER SET	1
4.4	90029	O-RING, 1-5/8 ID X 1-3/4 OD X 1/16 THK, AS-568-029	1
4.5	11003	SLEEVE MOUNT, WALL MT WIDESPREAD	1
5	11432	1.75 GPM FLOW REGULATOR	1
6	P05051	AERATOR, CACHE COINED SLOT M24X1.0 FULL FLOW	1
7	P16008/00	SHOWER ARM (8 INCH)	1

ALL	C	REMOVE SHOWER HEAD SUB-ASSY, UPDATE SLEEVE MOUNT & HANDLE ASSY, UPDATE O-RINGS, ADD NOTE	1/13/2021	AMM
ZONE	REV.	DESCRIPTION	DATE	APPROVED
REVISIONS				

1261 LOGAN AVENUE  
COSTA MESA, CALIFORNIA 92626  
PHONE: 714.361.4800  
FAX: 714.617.3120



**PROPRIETARY AND CONFIDENTIAL**  
THE INFORMATION CONTAINED IN THIS DRAWING IS THE SOLE PROPERTY OF PHYLIRICH. ANY REPRODUCTION IN PART OR AS A WHOLE WITHOUT THE WRITTEN PERMISSION OF PHYLIRICH IS PROHIBITED.  
**DO NOT SCALE DRAWING**

**ASSY, PB TUB-SHOWER KIT WITH LEVER HANDLE, ROND**

SIZE <b>B</b>	ASM/PRT NO. <b>183-27/00</b>	REV <b>C</b>
SCALE: 1:3.75	WEIGHT: lbs.	SHEET 1 OF 2