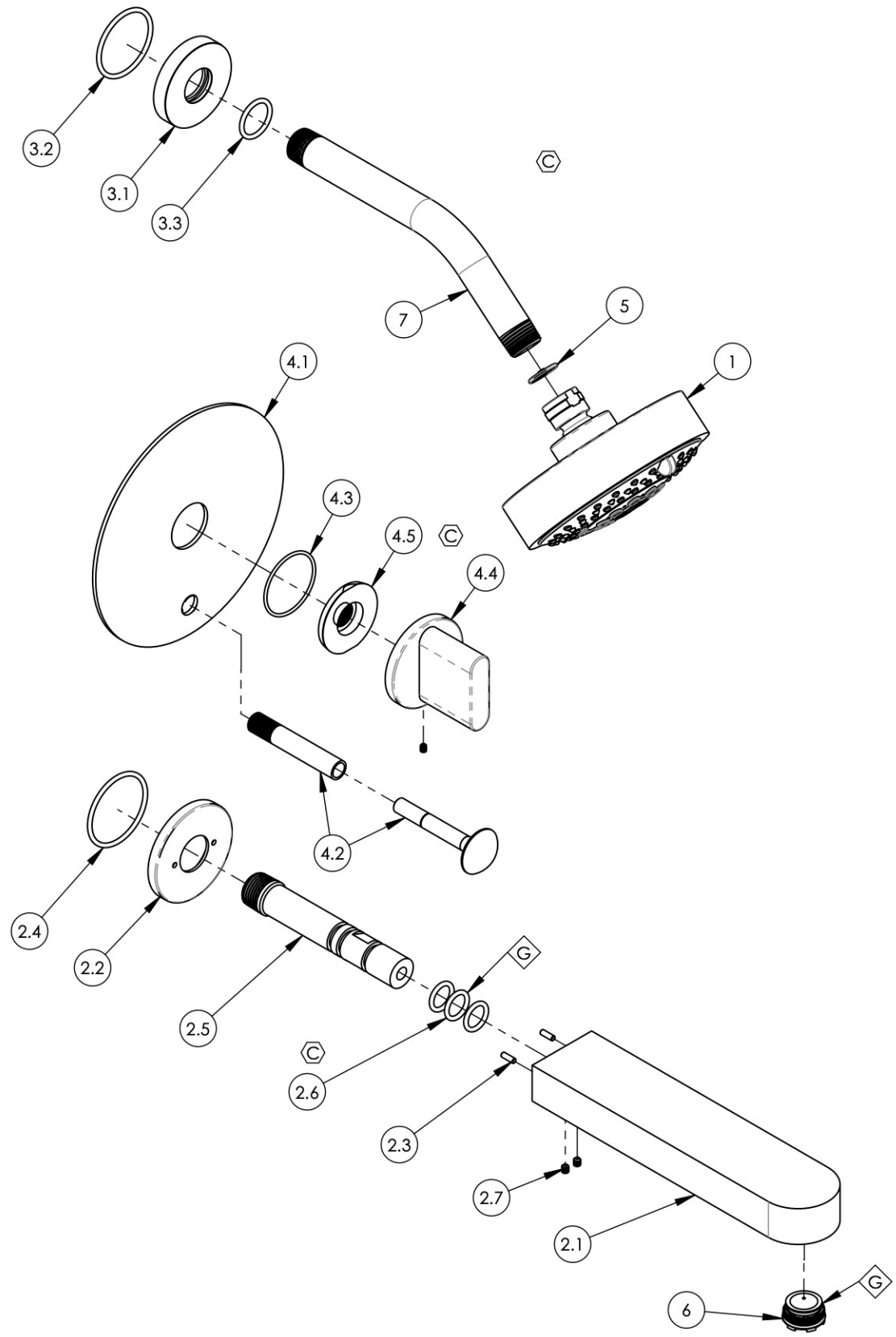


- NOTE(S):
- PART NUMBER, "/00" DENOTES PART SHALL HAVE FINISH.
 - APPLY NSF COMPLIANT GREASE TO ANY O-RING, SEALING JOINTS, AND/OR PIVOTAL POINTS.
 - APPLY NSF COMPLIANT LOCTITE TO THREADED AREA.
 - APPLY NSF COMPLIANT REMOVABLE (BLUE) LOCTITE TO THREADED AREA.
 - SILVER SOLDER JOINTS SHALL BE FULLY WETTED VIA CAPILLARY ACTION AND COMPLETELY NON-POROUS.
 - FOR DEEPEER ESCUTCHEON:
 - 3-587/00
 - 92401

- ◇ G
- ◇ L
- ◇ B
- ◇ S



ITEM NO.	PART NUMBER	DESCRIPTION	QTY.
1	3-454/00	SHOWER HEAD MULTI. FUNC. CONTEMP.	1
2	3-588/00	ASSY, WALL SPOUT, ROND	1
2.1	11755/00	WALL SPOUT, ROND	1
2.2	11756/00	ESCUTCHEON, WALL SPOUT, ROND	1
2.3	92158	DOWEL PIN, 1/8" X 3/8" L	2
2.4	90131	O-RING, 1-11/16 ID X 3/32 THK, AS-568-131	1
2.5	10013	INJECTOR SHANK, 1/2" NPT MALE TO M16.5 CACHE W/ O-SEAL	1
2.6	90113	O-RING, 9/16 ID X 3/4 OD X 3/32 THK, AS-568-113	3
2.7	92008	SET SCREW, CUP POINT 8-32, 3/16" L	2
3	3-700/00	ESCUTCHEON FLANGE, SHOWER ARM, CONTEMPORARY, ROUND	1
3.1	P16019/00	BASE SHOWER FLANGE, BASIC SERIES	1
3.2	90129	O-RING, 1-9/16 ID X 3/32 THK, AS-568-129	1
3.3	90117	O-RING, 7/8 ID X 33/32 THK., AS-568-117	1
4	4-553/00	ASSY, BLADE HANDLE W/ DIVERter, TRIM, ROND	1
4.1	10445/00	TRIM PLATE 6" ROUND W/ DIVERter HOLE, BASIC II	1
4.2	3-125/00	DIVERter EXTENSION ASSY FOR PB TUB & SHOWER SET	1
4.3	90029	O-RING, 1-5/8 ID X 1-3/4 OD X 1/16 THK, AS-568-029	1
4.4	3-584/00	ASSY, BLADE HANDLE, ROND	1
4.5	11003	SLEEVE MOUNT, WALL MT WIDESPREAD	1
5	11432	1.75 GPM FLOW REGULATOR	1
6	P05051	AERATOR, CACHE COINED SLOT M24X1.0 FULL FLOW	1
7	P16008/00	SHOWER ARM (8 INCH)	1

ALL	C	REMOVE SHOWER HEAD SUB-ASSY, UPDATE SLEEVE MOUNT & HANDLE ASSY. ADD NOTE, UPDATE O-RINGS	2/16/2021	AMM
ZONE	REV.	DESCRIPTION	DATE	APPROVED
REVISIONS				

1261 LOGAN AVENUE
COSTA MESA, CALIFORNIA 92626
PHONE: 714.361.4800
FAX: 714.617.3120

PHYLRICH
Defining Luxury Since 1959

PROPRIETARY AND CONFIDENTIAL
THE INFORMATION CONTAINED IN THIS DRAWING IS THE SOLE PROPERTY OF PHYLRICH. ANY REPRODUCTION IN PART OR AS A WHOLE WITHOUT THE WRITTEN PERMISSION OF PHYLRICH IS PROHIBITED.
DO NOT SCALE DRAWING

ASSY, BLADE HANDLE W/ DIVERter, SHOWER KIT, ROND

SIZE B	ASM/PRT NO. 183-26/00	REV C
SCALE: 1:3.5	WEIGHT: lbs.	SHEET 1 OF 2