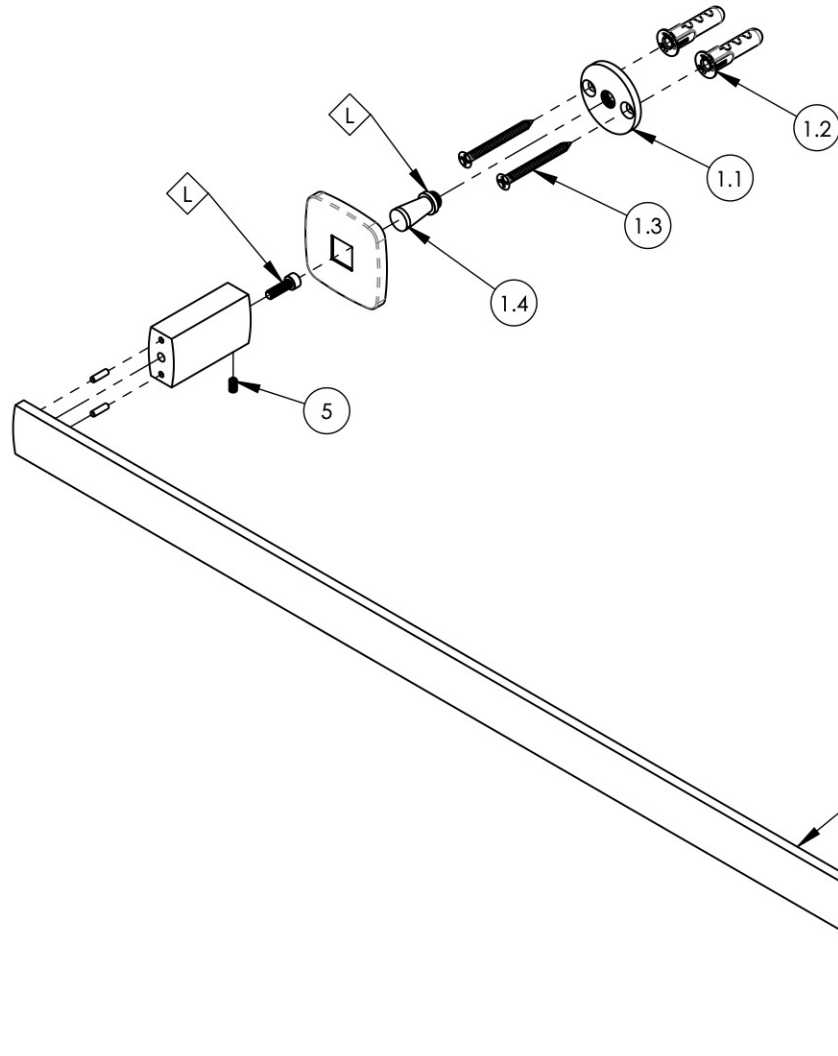


NOTE(S):
 1. PART NUMBER, "/00" DENOTES PART SHALL HAVE FINISH.
 2. APPLY NSF COMPLIANT LOCTITE TO THREADED AREA.



| ITEM NO. | PART NUMBER | DESCRIPTION | QTY. |
|----------|-------------|---|------|
| 1 | 2-264 | WALL MOUNTING KIT | 2 |
| 1.1 | 92355 | WALL MOUNT PLATE, TOWEL BAR, RADI | 1 |
| 1.2 | 92046 | ANCHOR SCREW 3/8" HOLE, TOGGLER AF10 | 2 |
| 1.3 | 92043 | SCREW, FLAT HD #10 SIZE W/ #2 PHIL DRIVE, 2"L | 2 |
| 1.4 | 92356 | WALL MOUNT BUNG, TOWEL BAR, RADI | 1 |
| 2 | 11641/00 | POST EXTENSION, ACCESSORIES, RADI | 2 |
| 3 | 11642/00 | ESCUTCHEON, TOWEL BAR, RADI | 2 |
| 4 | 11644/00 | BAR FOR TOWEL ACCESSORIES, 30" C2C, RADI | 1 |
| 5 | 92010 | SET SCREW, CUP POINT 8-32UNC 5/16" LENGTH SS | 2 |
| 6 | 92358 | DOWEL PIN, SS, Ø1/8" X 7/16"L | 4 |
| 7 | 92365 | SCREW, SOCKET HD, 10-32 X 5/8"L | 2 |

| ZONE | REV. | DESCRIPTION | DATE | APPROVED |
|-----------|------|-------------|------|----------|
| REVISIONS | | | | |

1261 LOGAN AVENUE
 COSTA MESA, CALIFORNIA 92626
 PHONE: 714.361.4800
 FAX: 714.617.3120

PHYLIRICH[®]
 Defining Luxury Since 1959

PROPRIETARY AND CONFIDENTIAL
 THE INFORMATION CONTAINED IN THIS DRAWING IS THE SOLE PROPERTY OF PHYLIRICH. ANY REPRODUCTION IN PART OR AS A WHOLE WITHOUT THE WRITTEN PERMISSION OF PHYLIRICH IS PROHIBITED.

| | | | | |
|-----------------------------|---------|---|--|----------------|
| - | - | INTERPRET GEOMETRIC DIMENSIONING & TOLERANCING IN ACCORDANCE WITH ASME Y14.5-2009 & ASME Y14.41-2003 STANDARDS, UNLESS OTHERWISE SPECIFIED. DIMENSIONS ARE IN INCHES. TOLERANCES ARE: | | |
| NEXT ASSY | USED ON | FRACTIONS ±1/16" | DECIMALS X.X: ±.1 X.XX: ±.01 X.XXX: ±.005 | ANGULAR ±2° |
| APPLICATION | | MATERIAL | NAME | DATE |
| FINISH | | DRAWN | RAH | 1/30/2018 |
| DO NOT SCALE DRAWING | | CHECKED | | |

ACCESSORIES TOWEL BAR 30", RADI

| | | |
|----------|-------------|-----|
| SIZE | ASM/PRT NO. | REV |
| A | 181-72/00 | - |

SCALE: 1:4 WEIGHT: lbs. SHEET 1 OF 2