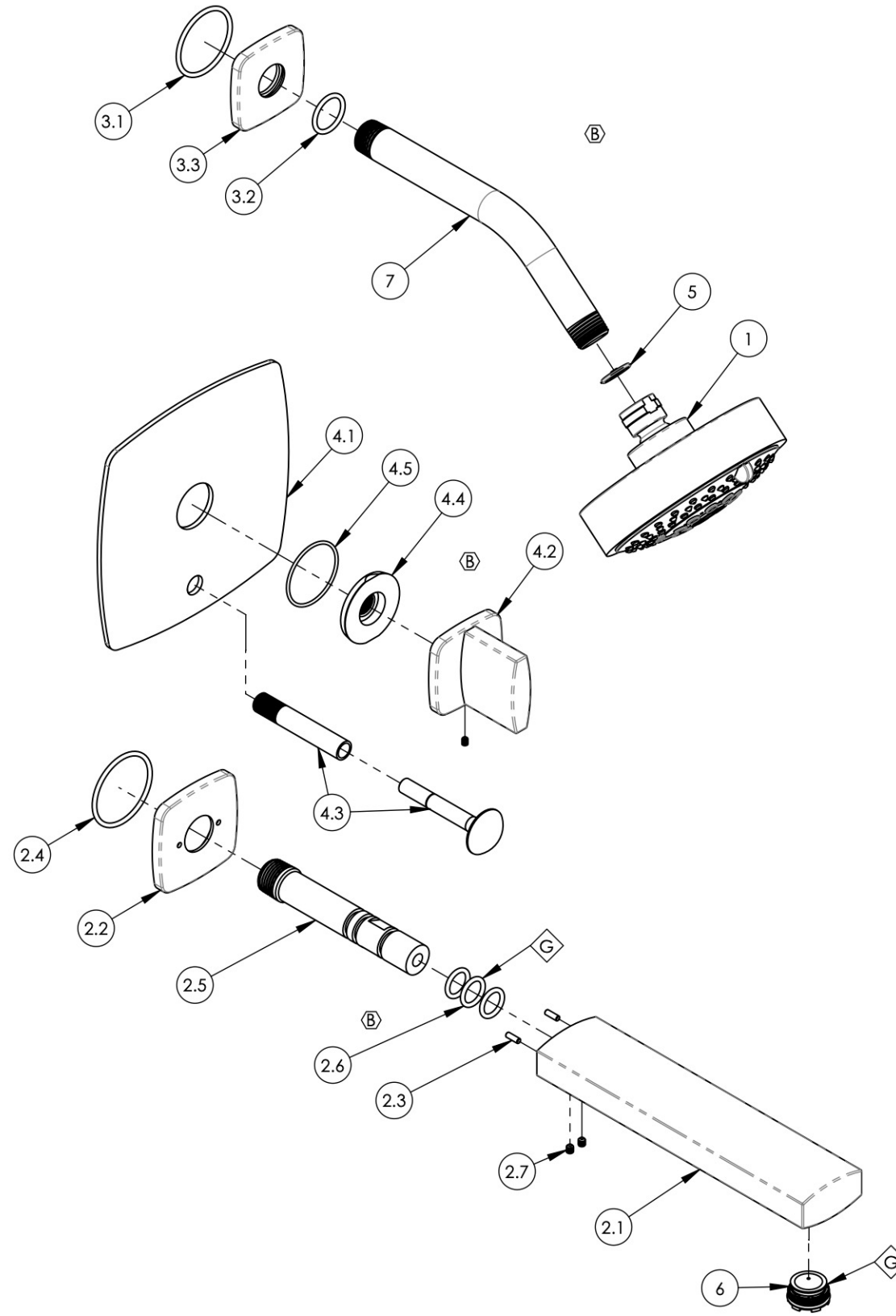


NOTE(S):

1. PART NUMBER, "/00" DENOTES PART SHALL HAVE FINISH.
2. APPLY NSF COMPLIANT GREASE TO ANY O-RING, SEALING JOINTS, AND/OR PIVOTAL POINTS. G
3. APPLY NSF COMPLIANT LOCTITE TO THREADED AREA. L
4. APPLY NSF COMPLIANT REMOVABLE (BLUE) LOCTITE TO THREADED AREA. B
5. SILVER SOLDER JOINTS SHALL BE FULLY WETTED VIA CAPILLARY ACTION AND COMPLETELY NON-POROUS. S
6. FOR DEEPEER ESCUTCHEON:
 - 3-524/00
 - 92401

B



ITEM NO.	PART NUMBER	DESCRIPTION	QTY.
1	3-454/00	SHOWER HEAD MULTI. FUNC. CONTEMP.	1
2	3-523/00	ASSY, WALL SPOUT, RADI	1
2.1	11628/00	WALL SPOUT, RADII	1
2.2	11629/00	ESCUTCHEON, WALL SPOUT, RADI	1
2.3	92158	DOWEL PIN, 1/8" X 3/8" L	2
2.4	90131	O-RING, 1-11/16" ID X 3/32" THK, AS-568-131	1
2.5	10013	INJECTOR SHANK, 1/2" NPT MALE TO M16.5 CACHE W/ O-SEAL	1
2.6	90113	O-RING, 9/16" ID X 3/4" OD X 3/32" THK, AS-568-113	3
2.7	92008	SET SCREW, CUP POINT 8-32, 3/16" L	2
3	3-528/00	SHOWER FLANGE, RADI	1
3.1	90129	O-RING, 1-9/16" ID X 3/32" THK, AS-568-129	1
3.2	90117	O-RING, 7/8" ID X 33/32" THK., AS-568-117	1
3.3	11630/00	ESCUTCHEON, SHOWER FLANGE, RADI	1
4	4-516/00	ASSY, BLADE HANDLE W/ DIVERTER, TRIM, RADI	1
4.1	11633/00	TRIM PLATE, SINGLE HANDLE W/ DIVERTER, RADII FACE	1
4.2	3-519/00	ASSY, BLADE HANDLE, RADII	1
4.3	3-125/00	DIVERTER EXTENSION ASSY FOR PB TUB & SHOWER SET	1
4.4	11003	SLEEVE MOUNT, WALL MT WIDESPREAD	1
4.5	90029	O-RING, 1-5/8" ID X 1-3/4" OD X 1/16" THK, AS-568-029	1
5	11432	1.75 GPM FLOW REGULATOR	1
6	P05051	AERATOR, CACHE COINED SLOT M24X1.0 FULL FLOW	1
7	P16008/00	SHOWER ARM (8 INCH)	1

ALL	B	UPDATE SLEEVE MOUNT & HANDLE ASSY, REMOVE SHOWER SUBASSY. UPDATE O-RINGS, ADD NOTE	2/18/2021	AMM
ZONE	REV.	DESCRIPTION	DATE	APPROVED
REVISIONS				

1261 LOGAN AVENUE
COSTA MESA, CALIFORNIA 92626
PHONE: 714.361.4800
FAX: 714.617.3120

PHYLIRICH
Defining Luxury Since 1959

PROPRIETARY AND CONFIDENTIAL
THE INFORMATION CONTAINED IN THIS DRAWING IS THE SOLE PROPERTY OF PHYLIRICH. ANY REPRODUCTION IN PART OR AS A WHOLE WITHOUT THE WRITTEN PERMISSION OF PHYLIRICH IS PROHIBITED.
DO NOT SCALE DRAWING

ASSY, BLADE HANDLE W/ DIVERTER, SHOWER KIT, RADI

SIZE	ASM/PRT NO.	REV
B	181-26/00	B
SCALE: 1:3.5	WEIGHT: lbs.	SHEET 1 OF 2