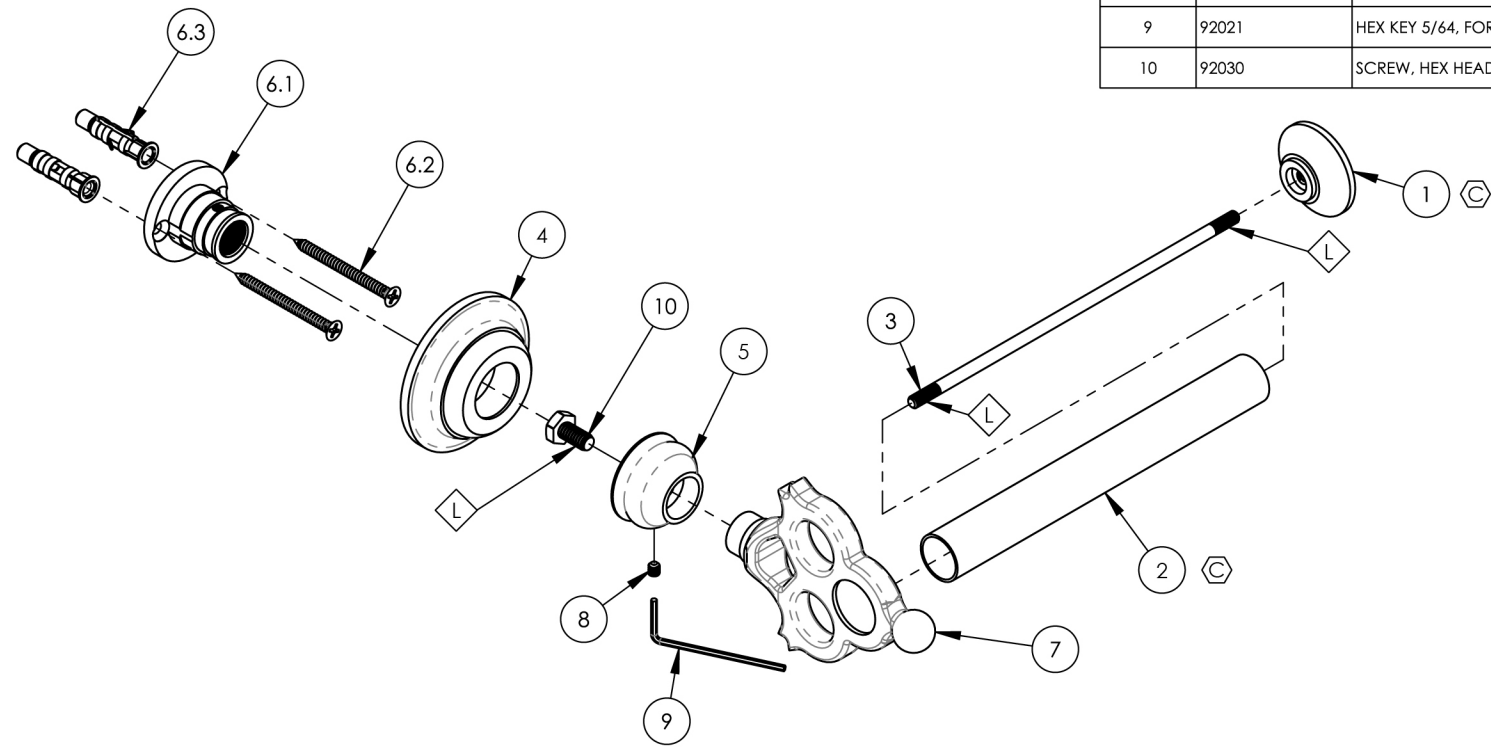


- NOTE(S):
 1. PART NUMBER, "/00" DENOTES PART SHALL HAVE FINISH.
 2. APPLY NSF COMPLIANT GREASE TO ANY O-RING, SEALING JOINTS, AND/OR PIVOTAL POINTS.
 3. APPLY NSF COMPLIANT LOCTITE TO THREADED AREA.
 4. APPLY NSF COMPLIANT REMOVABLE (BLUE) LOCTITE TO THREADED AREA.
 5. SILVER SOLDER JOINTS SHALL BE FULLY WETTED VIA CAPILLARY ACTION AND COMPLETELY NON-POROUS.

- ◇ G
- ◇ L
- ◇ B
- ◇ S

ITEM NO.	PART NUMBER	DESCRIPTION	QTY.
1	12454/00	FINIAL, TP HOLDER, MAISON	1
2	12438/00	TP HOLDER BAR, MAISON	1
3	11061	3/16" DIA. ROD WITH THREAD FOR TP HOLDER	1
4	11277/00	ESCUTCHEON, ACCESSORIES, MAISON	1
5	11286/00	BASE, ACCESSORIES, MAISON SERIES	1
6	2-103	MOUNTING KIT WITH ADJUSTABLE THREADED PIN	1
6.1	11050	MOUNTING KIT, WALL FLANGE	1
6.2	92234	SCREW FOR WOOD, PHIL. NO. 8 X 1-1/2"L	2
6.3	92235	ANCHOR, #8, 1-3/8" LENGTH	2
7	2-148/00	SUB ASSY. SINGLE POST PAPER HOLDER, MAISON	1
8	92008	SET SCREW, CUP POINT 8-32, 3/16" L.	1
9	92021	HEX KEY 5/64, FOR 8-32 SET SCREW	1
10	92030	SCREW, HEX HEAD 1/4"-20 THRD, 7/16"L	1



ALL	C	UPDATED COMPONENTS	11/1/2024	VA
ZONE	REV.	DESCRIPTION	DATE	APPROVED
REVISIONS				

1261 LOGAN AVENUE
 COSTA MESA, CALIFORNIA 92626
 PHONE: 714.361.4800
 FAX: 714.617.3120

PHYLIRICH[®]
 Defining Luxury Since 1959

PROPRIETARY AND CONFIDENTIAL
 THE INFORMATION CONTAINED IN THIS DRAWING IS THE SOLE PROPERTY OF PHYLIRICH. ANY REPRODUCTION IN PART OR AS A WHOLE WITHOUT THE WRITTEN PERMISSION OF PHYLIRICH IS PROHIBITED.
 DO NOT SCALE DRAWING

TOILET PAPER HOLDER, SINGLE POST,
 MAISON

SIZE A	ASM/PRT NO. 164-74/00	REV C
SCALE: 1:2.75	WEIGHT: lbs.	SHEET 1 OF 2