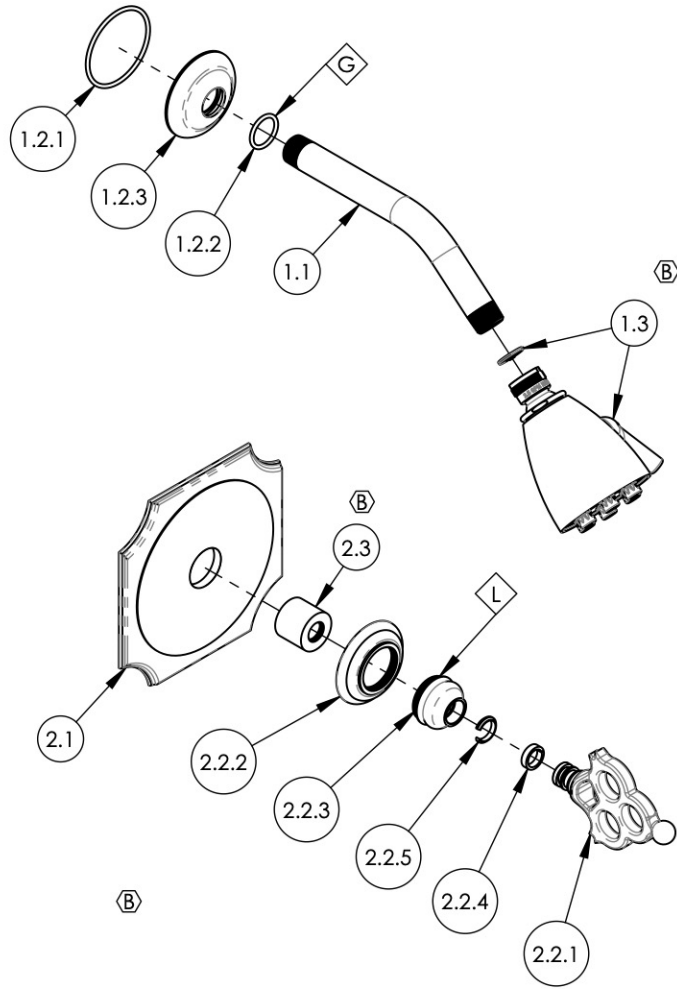


NOTE(S):

1. APPLY NSF COMPLIANT GREASE TO ANY O-RING, SEALING JOINTS, AND/OR PIVOTAL POINTS. G
2. APPLY NSF COMPLIANT LOCTITE TO THREADED AREA. L



| ITEM NO. | PART NUMBER | DESCRIPTION | QTY. |
|----------|-------------|--|------|
| 1 | 4-140/00 | SHOWER HEAD 8" ARM, 6 JET PLUNGER, HEX TRADITIONAL | 1 |
| 1.1 | P16008/00 | SHOWER ARM (8 INCH) | 1 |
| 1.2 | 810/00 | SHOWER FLANGE, TRADITIONAL | 1 |
| 1.2.1 | 90138 | O-RING, 2 1/8"ID X 3/32"THK., AS-568-138 | 1 |
| 1.2.2 | 90117 | O-RING, 7/8"ID X 33/32"THK., AS-568-117 | 1 |
| 1.2.3 | P16011/00 | K803 SHOWER FLANGE | 1 |
| 1.3 | 3-018/00 | SHOWERHEAD SIX JET | 1 |
| 2 | 4-469/00 | 1/2" MINI THERMOSTATIC SHOWER TRIM, MAISON | 1 |
| 2.1 | 10515/00 | TRIM PLATE, FRENCH TRAD. PB/THERMO | 1 |
| 2.2 | 3-328/00 | FLAT HANDLE, TRADITIONAL | 1 |
| 2.2.1 | 11159/00 | HANDLE FLAT CROWN, TRADITIONAL | 1 |
| 2.2.2 | 10620/00 | ESCUTCHEON, TRADITIONAL RT 1-1/4"-20 | 1 |
| 2.2.3 | 11161/00 | BASE HANDLE, TRADITIONAL | 1 |
| 2.2.4 | P35053 | WEAR WASHER, WAVELAND HANDLE | 1 |
| 2.2.5 | P35052 | SNAP WASHER, WAVELAND HANDLE | 1 |
| 2.3 | 11087 | SLEEVE FOR PB-THERM PLATE | 1 |

| | | | | |
|------|------|---|----------|----------|
| ALL | B | UPDATE TEMPLATE, DWG NAME, SLEEVE MOUNT, SHOWERHEAD, ADD CALL OUTS, REMOVE TAPE | 8/3/2020 | AMM |
| ZONE | REV. | DESCRIPTION | DATE | APPROVED |

REVISIONS

PROPRIETARY AND CONFIDENTIAL

THE INFORMATION CONTAINED IN THIS DRAWING IS THE SOLE PROPERTY OF PHYLRICH. ANY REPRODUCTION IN PART OR AS A WHOLE WITHOUT THE WRITTEN PERMISSION OF PHYLRICH IS PROHIBITED.

1261 LOGAN AVENUE
COSTA MESA, CALIFORNIA 92626
PHONE: 714.361.4800
FAX: 714.617.3120

PHYLRICH[®]
Defining Luxury Since 1959

| | | | | |
|-----------------------------|-------|---------|-----------|---|
| NEXT ASSY | | USED ON | | INTERPRET GEOMETRIC DIMENSIONING & TOLERANCING IN ACCORDANCE WITH ASME Y14.5-2009 & ASME Y14.41-2003 STANDARDS, UNLESS OTHERWISE SPECIFIED. DIMENSIONS ARE IN INCHES. TOLERANCES ARE: FRACTIONS ±1/16" DECIMALS X.X: ±.1 X.XX: ±.01 X.XXX: ±.005 ANGULAR ±2° |
| APPLICATION | | | | |
| MATERIAL | NAME | DATE | | |
| FINISH | DRAWN | LLO | 11/5/2015 | |
| DO NOT SCALE DRAWING | | | | CHECKED |
| | | | | GRE |

SHOWER TRIM SET, PRESSURE BALANCE, MAISON

| | | |
|----------|-------------|----------|
| SIZE | ASM/PRT NO. | REV |
| A | 164-21/00 | B |

SCALE: 1:5 WEIGHT: lbs. SHEET 1 OF 2