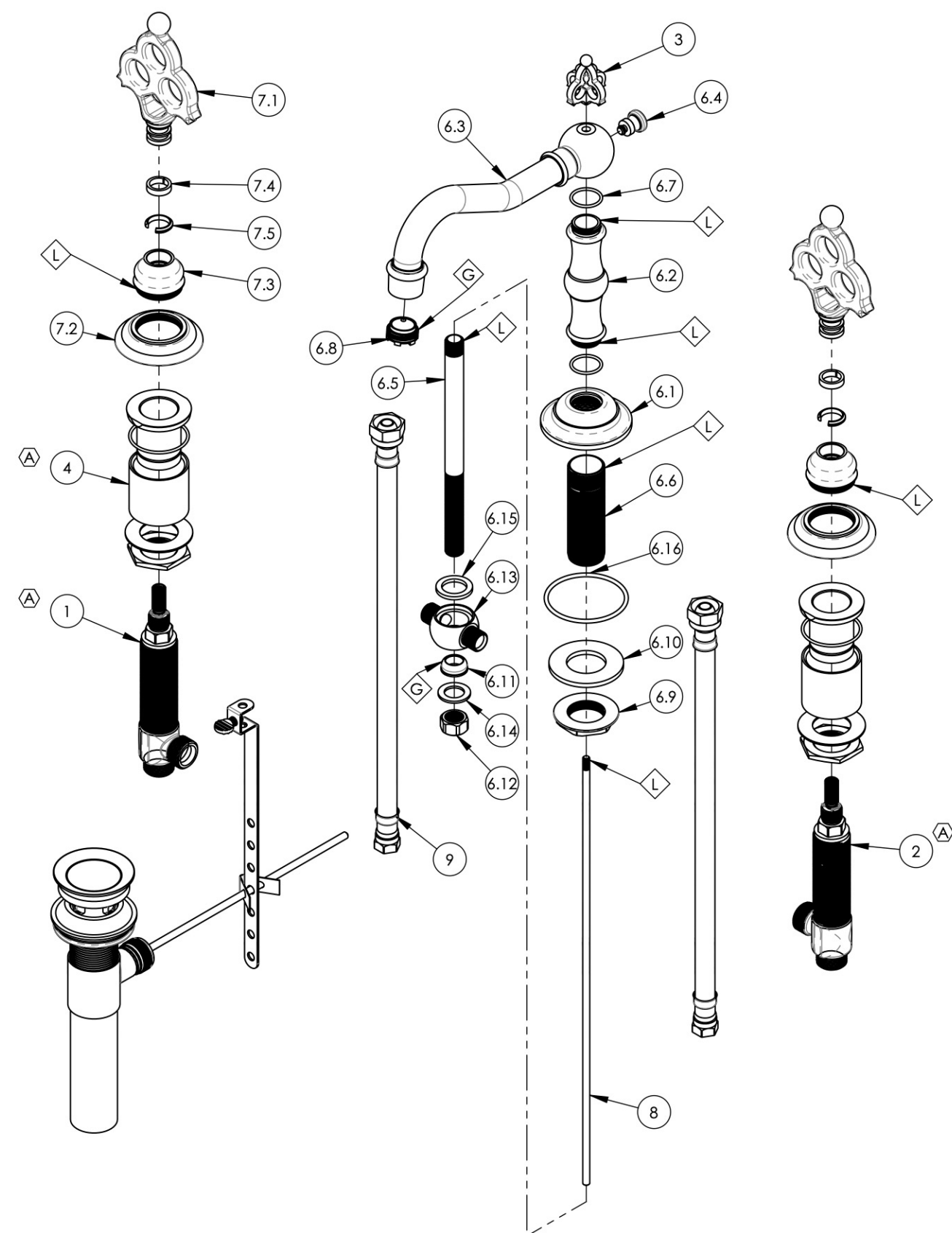


- NOTE(S):
1. APPLY NSF COMPLIANT GREASE TO ANY O-RING, SEALING JOINTS, AND/OR PIVOTAL POINTS. G
  2. APPLY NSF COMPLIANT LOCTITE TO THREADED AREA. L



ITEM NO.	PART NUMBER	DESCRIPTION	QTY.
1	1-149	WIDESPREAD VALVE LAV 16PT, HOT, ONLY	1
2	1-150	WIDESPREAD VALVE LAV 16PT, COLD, ONLY	1
3	2-039/00	ASSY, POP-UP COURONNE SERIES	1
4	2-092	RECESSED MOUNTING KIT FOR WIDESPREAD	2
5	3-046/00	POP-UP DRAIN ASSEMBLY (2-101, 2-102, & 2-246)	1
6	3-324/00	SPOUT WIDESPREAD LAV, HENRI/MAISON SERIES	1
6.1	11148/00	ESCUTCHEON, BASE SPOUT RISER	1
6.2	11149/00	RISER FOR SPOUT, TRADITIONAL	1
6.3	2-040/00	SPOUT REACH BRAZED, HENRI SERIES	1
6.4	11152/00	FINIAL END BACK, TRADITIONAL	1
6.5	P33002	7" POP-UP GUIDE	1
6.6	P33008	LAV SPOUT NIPPLE	1
6.7	90018	O-RING, 3/4"ID X 1/16"THK, AS-568-018	2
6.8	11429	AERATOR CACHE JUNIOR, 1.2GPM, M21.5X1.0, NEOPERL # 42.2260.450	1
6.9	92037	NUT, FLANGED 1"-20 THREAD	1
6.10	P35317	S.S. WASHER O.D 2" I.D 1" 1/16	1
6.11	954A	CONE WASHER	1
6.12	168B	NUT FOR 3-WAY TEE	1
6.13	2003NL	TEE VALVE FOR LAV WIDESPREAD	1
6.14	28A	BRASS WASHER	1
6.15	427	FIBER WASHER, 0.983" x 0.680" x 0.100" THK	1
6.16	90137	O-RING, 2-1/16"ID X 3/32"THK., AS-568-137	1
7	3-328/00	FLAT HANDLE, TRADITIONAL	2
7.1	11159/00	HANDLE FLAT CROWN, TRADITIONAL	1
7.2	10620/00	ESCUTCHEON, TRADITIONAL RT 1-1/4"-20	1
7.3	11161/00	BASE HANDLE, TRADITIONAL	1
7.4	P35053	WEAR WASHER, WAVELAND HANDLE	1
7.5	P35052	SNAP WASHER, WAVELAND HANDLE	1
8	10719/00	POP-UP ROD, 10-24, 14" LONG	1
9	10982	HOSE, 3/8" COMP. X 1/2" NPSM - 12"L	2

ALL	A	UPDATE TEMPLATE, VALVES, RECESSED MOUNTING KIT ASSY, DWG NAME	7/31/2020	AMM
ZONE	REV.	DESCRIPTION	DATE	APPROVED
REVISIONS				
		1261 LOGAN AVENUE COSTA MESA, CALIFORNIA 92626 PHONE: 714.361.4800 FAX: 714.617.3120	<b>PHYLIRICH</b> Defining Luxury Since 1959	
		<b>PROPRIETARY AND CONFIDENTIAL</b> THE INFORMATION CONTAINED IN THIS DRAWING IS THE SOLE PROPERTY OF PHYLIRICH. ANY REPRODUCTION IN PART OR AS A WHOLE WITHOUT THE WRITTEN PERMISSION OF PHYLIRICH IS PROHIBITED.		

NEXT ASSY	USED ON	FRACTIONS ±1/16"	DECIMALS X.X: ±.1 X.XX: ±.01 X.XXX: ±.005	ANGULAR ±2°
APPLICATION		MATERIAL	NAME	DATE
FINISH		DRAWN	LLO	3/27/2015
DO NOT SCALE DRAWING		CHECKED	GRE	

<b>WIDESPREAD FAUCET, BLADE HANDLES, MAISON</b>		
SIZE	ASM/PRT NO.	REV
<b>B</b>	164-01/00	<b>A</b>
SCALE: 1:3.75	WEIGHT: lbs.	SHEET 1 OF 2